

Pre-Selection Simmerrings










DIN		A	AS	A	AS	AS		B	BS
Type		BA...+	BA...SL+	BAUM X7+	BAUM SLX7+	BABSL NBR	BABSL FKM	B1...	B1...SL
Special requirements	High housing roughness	○	○	○	○	○	○		
	High thermal expansion of the housing	○	○	○	○	○	○		
	Usage in split housings	○	○	○	○	○	○		
	Tightness against pressure	○	○	○	○	○	○		
	Very secure Simmerring press fit	○	○	○	○	○	○	●	●
	High Simmerring rigidity, rough fitting								
Media to be sealed and operating conditions	Mineral oils < +100 °C	●	●	●	●	○	○	○	○
	Synthetic oils < +80 °C	●	●	○	○	○	○	○	○
	Mineral oils > +100 °C			●	●		●		
	Synthetic oils > +80 °C			●	●		●		
	Greases	●	●	●	●	○	○	○	○
	Aggressive media								
	Circumferential speed < approx. 10 m/s (→ Diagram 1, page 18)	●	●	○	○	○	○	○	○
	Circumferential speed > approx. 10 m/s (→ Diagram 1, page 18)			●	●				
Operation pressure in MPa (→ type information)	0,02 ... 0,05	0,02 ... 0,05	0,05	0,05	→ Diagr. 2 S. 18	→ Diagr. 2 S. 18	0,02 ... 0,05	0,02 ... 0,05	
High operating pressure	Please enquire about special designs								
Ingress of dirt	Normal ingress of dirt from the outside								
	Moderate to medium ingress of dirt from the outside		●		●	●	●		●
	Large ingress of dirt from the outside								
	Foreign bodies on the inside								

- = possible usage
- = preferred usage
- + = preferred Design
- B1 = one-piece metal housing
- BAB = operating pressure

- SL = dust lip (v = max. 8 m/s)
- X7 = grooved outer casing
- FUD = sealing lip produced in the tool
- UM = sealing lip machined on the front face (predominantly for FKM)
- U ... X2 = sealing lip machined on the front face (predominantly for NBR)

DIN		C	CS						
Type		B2...	B2...SL	B2PT	BAOF	B10F	BADJO	BAHD	ESS
Special requirements	High housing roughness				○		○	○	○
	High thermal expansion of the housing				○		○	○	○
	Usage in split housings				○		○	○	○
	Tightness against pressure				○		○	●	
	Very secure Simmerring press fit	●	●	●		●	○	○	○
	High Simmerring rigidity, rough fitting	●	●	○					
Media to be sealed and operating conditions	Mineral oils < +100 °C	○	○	○	○	○	○	●	○
	Synthetic oils < +80 °C	○	○	○	○	○	○	●	○
	Mineral oils > +100 °C						●	○	●
	Synthetic oils > +80 °C						●	○	●
	Greases			○	●	●	○	○	○
	Aggressive media			●					
	Circumferential speed < approx. 10 m/s (→ Diagram 1, page 18)	○	○	○	... 6 m/s	... 6 m/s	... 5 m/s	... 2 m/s	○
	Circumferential speed > approx. 10 m/s (→ Diagram 1, page 18)			○					●
Media to be sealed and operating conditions	Operation pressure in MPa (→ type information)	0,02 ... 0,05	0,02 ... 0,05	... 1	0,02 ... 0,05	0,02 ... 0,05	0,02	15	0,02
	High operating pressure	Please enquire						●	
Ingress of dirt	Normal ingress of dirt from the outside						○		○
	Moderate to medium ingress of dirt from the outside		●		○	○	○		●
	Large ingress of dirt from the outside						●		
	Foreign bodies on the inside								

- = possible usage
- = preferred usage
- B2 = metal housing with metal insert
- OF = without spring
- PT = PTFE sealing lip

DIN										
Type		HPLS	PPS	PTS	MSS 1	MSS 1+	MSS 7	MSC 01	MSC 02	GA, GSA
										
Special requirements	High housing roughness	○	○	○	○	○	○			○
	High thermal expansion of the housing	○	○	○	○	○	○			○
	Usage in split housings	○	○	○	○	○	○			○
	Tightness against pressure	●	●	○	○	○	○			○
	Very secure Simmerring press fit	○	○	●		○	○			○
	High Simmerring rigidity, rough fitting									
Media to be sealed and operating conditions	Mineral oils < +100 °C	●	●	○	●	○	○			○
	Synthetic oils < +80 °C	●	●	○	●	○	○			○
	Mineral oils > +100 °C	○	○	●	●					
	Synthetic oils > +80 °C	○	○	●	●					
	Greases	○	○			○	○	○	●	○
	Aggressive media			○						
	Circumferential speed < approx. 10 m/s (→ Diagram 1, page 18)	... 2 m/s	●	○	... 6 m/s	○	○	... 6 m/s		
	Circumferential speed > approx. 10 m/s (→ Diagram 1, page 18)		○	●						
	Operation pressure in MPa (→ type information)	22	1,5	1,0	0,05	0,05	0,05			
	High operating pressure	●								
Ingress of dirt	Normal ingress of dirt from the outside		○	○						
	Moderate to medium ingress of dirt from the outside		●	●		○	○	●	●	
	Large ingress of dirt from the outside					●	●	○	○	
	Foreign bodies on the inside				●					

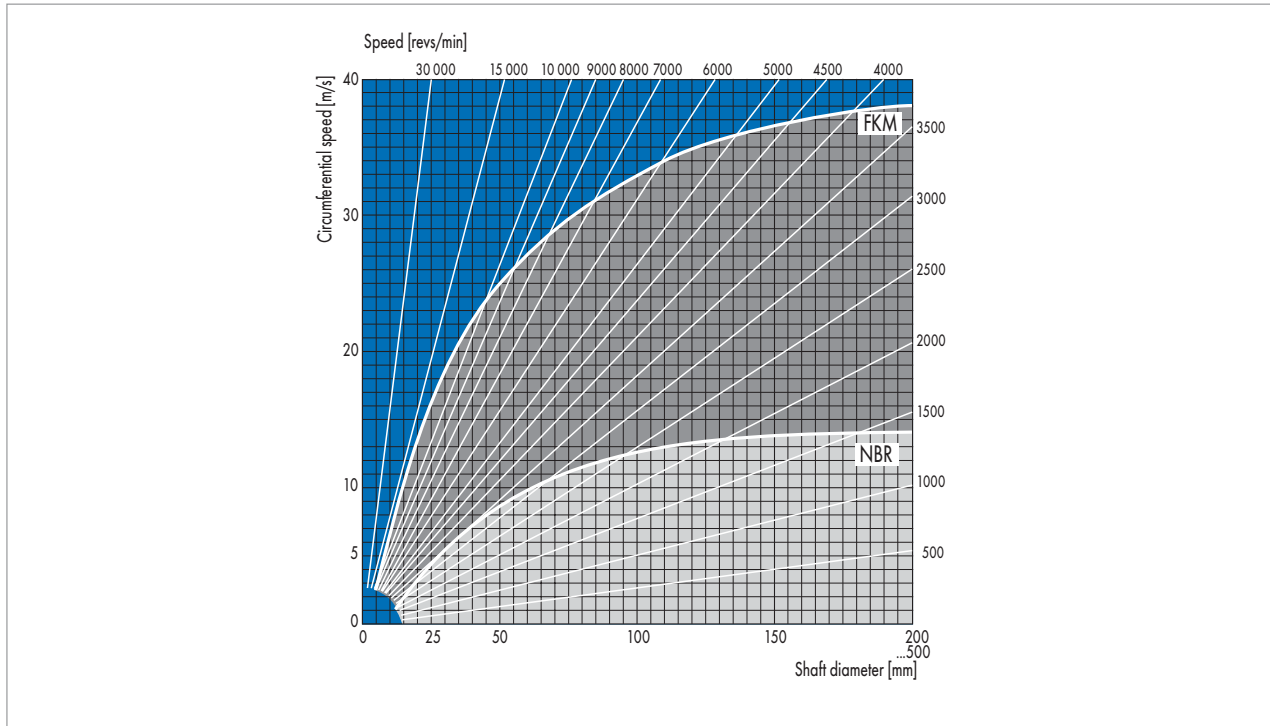
- = possible usage
- = preferred usage

DIN											
Type		Cassette Seal Type 1	Cassette Seal Type 2	Cassette Seal Type 3	Cassette Seal HS	Combi Seal	Combi Seal SF5	Combi Seal SF6	Combi Seal SF8	Combi Seal SF19	
Special requirements	High housing roughness	○	○	○	○				○	○	
	High thermal expansion of the housing	○	○	○	○						
	Usage in split housings	○	○	○	○						
	Tightness against pressure*	○	○	○	○	○	○	○	○	○	
	Very secure Simmerring press fit	○	○	○	○	●	●	●	●	●	
	High Simmerring rigidity, rough fitting	○	○	○							
Media to be sealed and operating conditions	Mineral oils < +100 °C	●	●	●	●	●	●	●	●	●	
	Synthetic oils < +80 °C	●	●	●	●	●	●	●	●	●	
	Mineral oils > +100 °C	○	○	○	●						
	Synthetic oils > +80 °C	○	○	○	●	○	○	○	○	○	
	Greases	●	●	●	○	●	●	●	●	●	
	Aggressive media**										
	Special operating conditons										
	Circumferential speed < approx. 10 m/s*** (→ Diagram 1, page 18)	9 m/s	7 m/s	6 m/s	○	5 m/s	○	○	○	○	
	Circumferential speed > approx. 10 m/s*** (→ Diagram 1, page 18)				12 m/s		10 m/s	10 m/s	10 m/s	10 m/s	
	Operation pressure in MPa (→ type information)	0,05	0,05	0,05	0,05	0,02	0,02	0,02	0,02	0,02	
High operating pressure											
Ingress of dirt	Normal ingress of dirt from the outside	●			●	●	●			○	
	Moderate to medium ingress of dirt from the outside		●		○	○	○	●	●	○	
	Large ingress of dirt from the outside			●					○	●	
	Foreign bodies on the inside										

○ = possible usage  
● = preferred usage

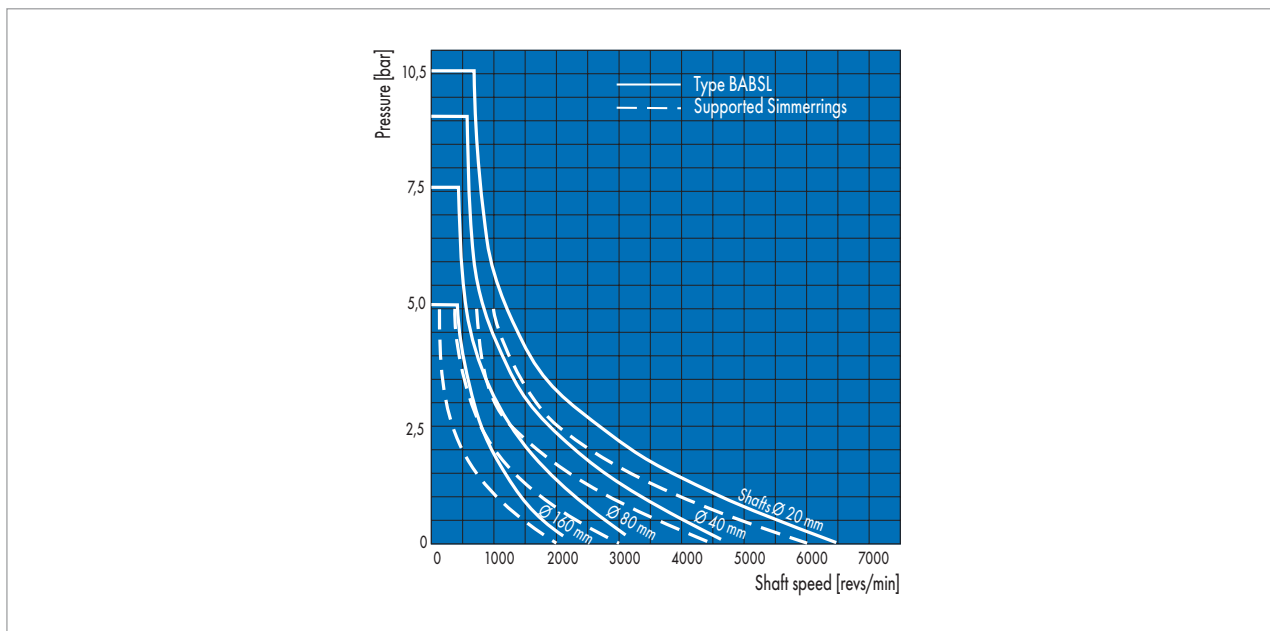
\* = special design on enquiry (please contact LC)  
\*\* = specific material mixture necessary  
\*\*\* = depending on the material mixture

Diagram 1



Permissible circumferential speed for Simmerrings made of the material NBR (72 NBR 902) and FKM (75 FKM 585) when sealing engine oil SAE 20. Usage of Simmerring with SL (dust lip):  $v = \max. 8 \text{ m/s}$ .

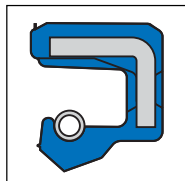
Diagram 2



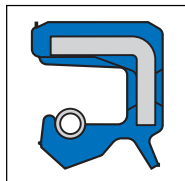
Permissible pressure in the unit for Simmerrings (type BABSL), as well as for Simmerrings with back-up rings.

# Simmerring® Standard Range

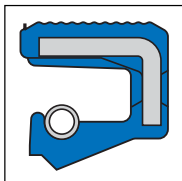
## DIN A/AS



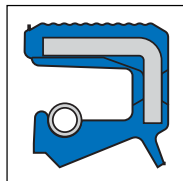
BAUX2



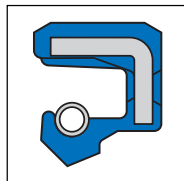
BAUSLX2



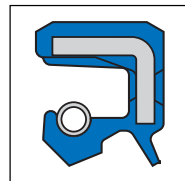
BAFUDX7



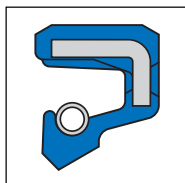
BAFUDSLX7



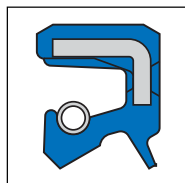
BAU



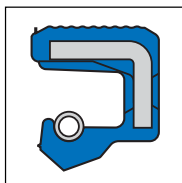
BAUSL



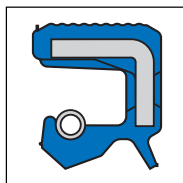
BA



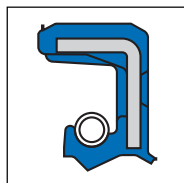
BASL



BAUMX7

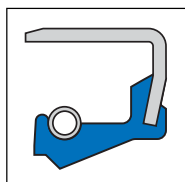


BAUMSLX7

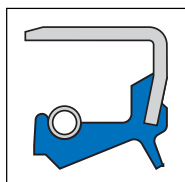


BABS

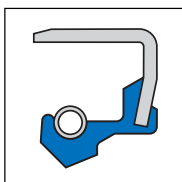
## DIN B/BS



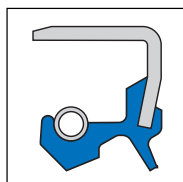
B1FUD



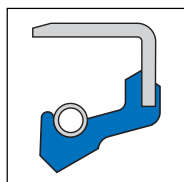
B1FUDSL



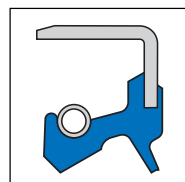
B1U



B1USL

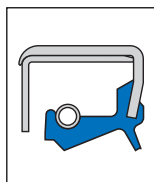


B1

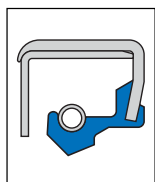


B1SL

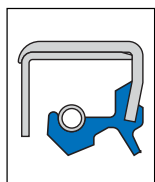
## DIN C/CS



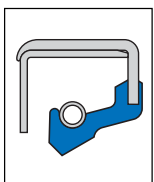
B2FUDSL



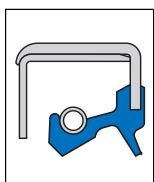
B2U



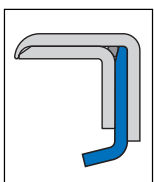
B2USL



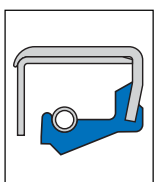
B2



B2SL

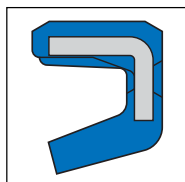


B2PT

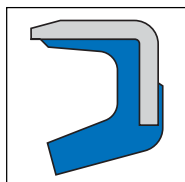


B2FUD

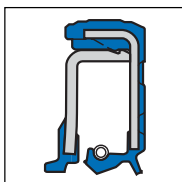
## Special Types



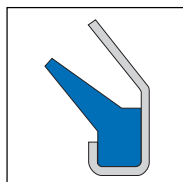
BAOF



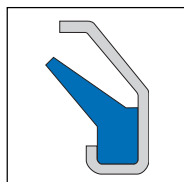
B1OF



MSS 1



MSC 01

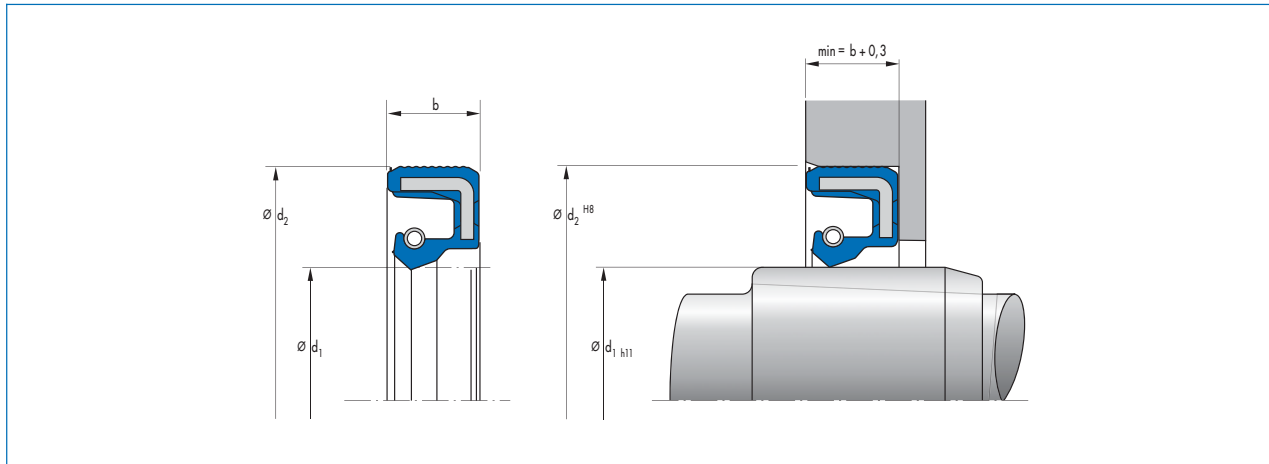


MSC 02

Simmerring  
Cassette Seals  
→ page 253

Simmerring  
Combi Seals  
→ page 265

Article list



d <sub>1</sub>	d <sub>2</sub>	b	DIN 3761	Outer surface	Pressure	Material	Type	Article No.	
3,00	10,00	6,00	A	smooth	un-pressurised	72 NBR 902	BAOF	6317	●
4,00	12,00	6,00	A	smooth	0,05	72 NBR 902	BA	6325	●
4,00	16,00	7,00	A	smooth	0,05	72 NBR 902	BA	1931	●
5,00	15,00	6,00	A	smooth	0,02	72 NBR 902	BAFUD	405057	●
5,00	16,00	7,00	B	metal	0,05	72 NBR 902	B1U	19267	●
5,00	19,00	5,00	A	smooth	0,05	72 NBR 902	BA	32513	●
5,00	22,00	8,00	A	smooth	0,05	72 NBR 902	BA	6335	●
6,00	16,00	5,00	A	smooth	0,05	72 NBR 902	BA	12019071	●
6,00	16,00	6,00	A	grooved	0,05	75 FKM 585	BAUMX7	406308	●
6,00	16,00	7,00	B	metal	0,05	75 FKM 585	B1	18256	○
6,00	16,00	7,00	B	metal	0,02	72 NBR 902	B1FUD	470997	●
6,00	16,00	7,00	A	smooth	0,05	72 NBR 902	BA	6341	●
6,00	19,00	6,00	A	smooth	0,05	72 NBR 902	BAU	6344	●
6,00	22,00	7,00	AS	smooth	0,02	72 NBR 902	BAFUDSL	12011104	●
6,00	22,00	7,00	A	grooved	0,05	75 FKM 585	BAUMX7	400296	●
6,00	22,00	7,00	A	grooved	0,02	72 NBR 902	BAFUDX7	527276	○
6,00	22,00	7,00	A	grooved	0,02	72 NBR 902	BAFUDX7	6352	●
7,00	16,00	7,00	A	smooth	0,05	75 FKM 595	BAUM	343383	○
7,00	16,00	7,00	A	smooth	0,05	72 NBR 902	BA	6365	●
7,00	16,00	7,00	B	metal	0,05	72 NBR 902	B1	7797	●
7,00	22,00	6,00	A	smooth	0,05	72 NBR 902	BA	6372	●
7,00	22,00	7,00	A	grooved	0,05	75 FKM 585	BAUMX7	412598	●
7,00	22,00	7,00	A	smooth	0,05	72 NBR 902	BA	6374	●
8,00	14,00	6,00	B	metal	un-pressurised	72 NBR 902	B1OF	419913	●
8,00	16,00	7,00	AS	smooth	0,05	72 NBR 902	BASL	409737	●
8,00	16,00	7,00	B	metal	0,02	72 NBR 902	B1FUD	428761	●
8,00	16,00	7,00	A	smooth	0,05	72 NBR 902	BA	7566	●
8,00	18,00	5,00	A	smooth	0,05	72 NBR 902	BA	6397	●
8,00	20,00	6,00	AS	grooved	0,05	75 FKM 585	BAUMSLX7	421497	○
8,00	20,00	8,00	A	smooth	0,05	72 NBR 902	BA	6403	●
8,00	22,00	6,00	AS	smooth	*	75 FKM 595	BABSL	12019990	●
8,00	22,00	6,00	AS	smooth	*	72 NBR 902	BABSL	462581	●
8,00	22,00	6,00	A	smooth	0,05	72 NBR 902	BAU	6405	●
8,00	22,00	7,00	B	metal	0,05	72 NBR 902	B1U	19274	●
8,00	22,00	7,00	A	grooved	0,05	75 FKM 585	BAUMX7	406310	●

● Available from stock    ○ On request: Tool is available, delivery at short notice    \* → Diagram 2, page 18

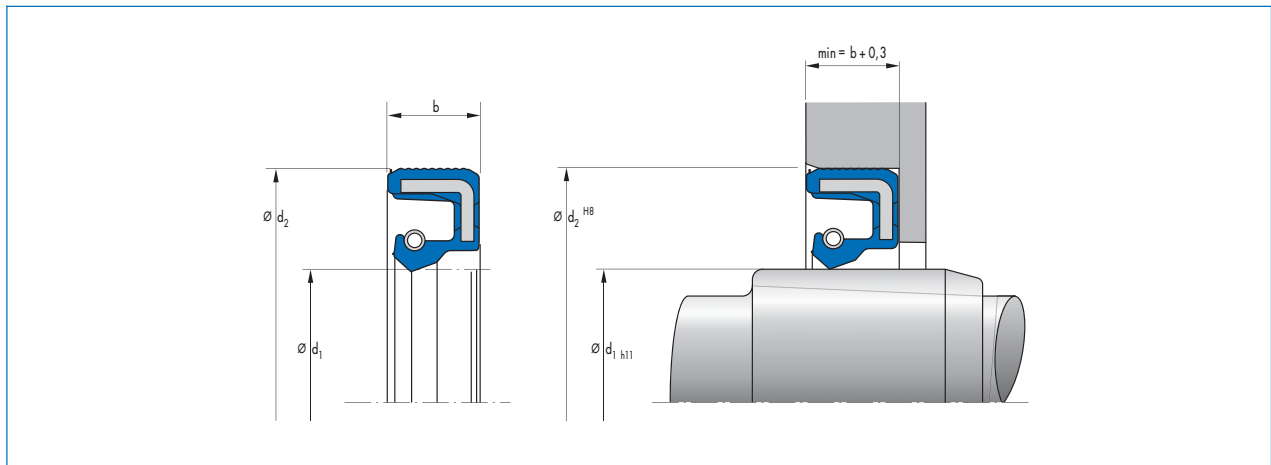
d <sub>1</sub>	d <sub>2</sub>	b	DIN 3761	Outer surface	Pressure	Material	Type	Article No.	
8,00	22,00	7,00	A	smooth	0,05	72 NBR 902	BA	6412	●
8,00	22,00	8,00	AS	grooved	0,05	75 FKM 585	BAUMSLX7	468755	●
8,00	22,00	8,00	A	smooth	0,05	72 NBR 902	BA	6418	●
8,00	24,00	7,00	B	metal	0,05	72 NBR 902	B1	19276	●
8,00	24,00	7,00	A	grooved	0,05	75 FKM 585	BAUMX7	406311	●
8,00	24,00	7,00	A	smooth	0,05	72 NBR 902	BA	6421	●
8,00	28,00	7,00	B	metal	0,05	72 NBR 902	B1	19277	●
9,00	17,00	4,50	B	metal	0,05	72 NBR 902	B1	19279	●
9,00	18,00	6,00	A	smooth	0,05	75 FKM 585	BAUM	396104	○
9,00	18,00	6,00	A	smooth	0,05	72 NBR 902	BA	6431	●
9,00	19,00	5,00	B	metal	0,05	72 NBR 902	B1U	19280	●
9,00	20,00	6,00	AS	smooth	*	72 NBR 902	BABSL	80489	●
9,00	22,00	7,00	B	metal	0,05	72 NBR 902	B1U	19281	●
9,00	22,00	7,00	A	smooth	0,05	72 NBR 902	BA	6438	●
9,00	24,00	7,00	A	smooth	0,05	72 NBR 902	BAU	6443	●
9,00	26,00	7,00	A	smooth	0,05	72 NBR 902	BA	6445	●
9,50	25,40	8,00	A	smooth	0,05	72 NBR 902	BAU	6454	●
10,00	15,00	3,00	B	metal	un-pressurised	72 NBR 902	B1OF	129573	●
10,00	16,00	4,00	A	smooth	0,02	72 NBR 902	BAFUD	1200016	●
10,00	16,00	4,00	B	metal	un-pressurised	72 NBR 902	B1OF	20247	●
10,00	16,00	4,00	B	metal	0,02	72 NBR 902	B1FUD	477154	●
10,00	18,00	4,00	A	smooth	0,02	72 NBR 902	BAFUD	1200017	●
10,00	18,00	6,00	A	smooth	0,02	72 NBR 902	BAFUD	470999	●
10,00	19,00	7,00	A	grooved	0,05	75 FKM 585	BAUMX7	400287	●
10,00	19,00	7,00	B	metal	0,02	72 NBR 902	B1FUD	428763	●
10,00	19,00	7,00	A	smooth	0,02	72 NBR 902	BAFUD	471001	●
10,00	19,00	7,00	AS	smooth	0,05	72 NBR 902	BASL	6463	●
10,00	20,00	6,00	A	smooth	0,05	72 NBR 902	BA	6467	●
10,00	22,00	6,00	AS	smooth	*	72 NBR 902	BABSL	2891	●
10,00	22,00	6,00	AS	smooth	*	75 FKM 595	BABSL	418583	●
10,00	22,00	7,00	B	metal	0,05	72 NBR 902	B1U	19288	●
10,00	22,00	7,00	A	grooved	0,02	72 NBR 902	BAFUDX7	362172	●
10,00	22,00	7,00	A	grooved	0,05	75 FKM 585	BAUMX7	390099	●
10,00	22,00	7,00	C	metal	up to 1 MPa	PTFE F56101	B2PT	406518	●
10,00	22,00	8,00	C	metal	0,05	72 NBR 902	B2U	22674	●
10,00	22,00	8,00	A	smooth	0,05	72 NBR 902	BA	6485	●
10,00	22,00	8,00	AS	smooth	0,05	72 NBR 902	BASL	6486	●
10,00	24,00	3,50	A	metal	un-pressurised	80 NBR 177458	MSC 01	508511	●
10,00	24,00	3,50	A	metal	un-pressurised	80 FKM 177459	MSC 01	508559	●
10,00	24,00	7,00	B	metal	0,05	72 NBR 902	B1	19290	●
10,00	24,00	7,00	A	grooved	0,05	75 FKM 585	BAUMX7	412571	●
10,00	24,00	7,00	A	smooth	0,05	72 NBR 902	BA	6492	●
10,00	26,00	5,00	AS	grooved	0,05	75 FKM 585	BAUMSLX27	468756	●
10,00	26,00	7,00	B	metal	0,05	72 NBR 902	B1U	19291	●
10,00	26,00	7,00	AS	smooth	0,05	72 NBR 902	BASL	3360	●
10,00	26,00	7,00	A	grooved	0,05	75 FKM 585	BAUMX7	406315	●
10,00	26,00	7,00	A	smooth	0,05	72 NBR 902	BA	6501	●
10,00	28,00	7,00	A	smooth	0,05	72 NBR 902	BAU	6504	●
10,00	30,00	10,00	C	metal	0,05	72 NBR 902	B2U	22844	●
10,00	30,00	10,00	A	smooth	0,05	72 NBR 902	BA	6511	●

● Available from stock    ○ On request: Tool is available, delivery at short notice    \* → Diagram 2, page 18



d <sub>1</sub>	d <sub>2</sub>	b	DIN 3761	Outer surface	Pressure	Material	Type	Article No.	
12,00	24,00	7,00	A	smooth	0,05	72 NBR 902	BA	6575	●
12,00	24,00	7,00	B	metal	0,05	72 NBR 902	B1	7809	●
12,00	25,00	5,00	A	smooth	0,05	75 FKM 585	BAUM	378263	●
12,00	25,00	5,00	A	smooth	0,05	72 NBR 902	BAUX2	6582	●
12,00	25,00	6,00	A	smooth	0,05	72 NBR 902	BAU	49016141	●
12,00	25,00	7,00	C	metal	up to 1 MPa	PTFE F56101	B2PT	406523	●
12,00	25,00	8,00	A	smooth	0,05	72 NBR 902	BAU	6590	●
12,00	26,00	3,50	A	metal	un-pressurised	80 NBR 177458	MSC 01	508513	●
12,00	26,00	3,50	A	metal	un-pressurised	80 FKM 177459	MSC 01	508561	●
12,00	26,00	8,00	A	smooth	0,05	72 NBR 902	BAU	6598	●
12,00	28,00	5,00	AS	smooth	0,05	72 NBR 902	BAUSLX2	526251	●
12,00	28,00	7,00	AS	smooth	0,02	72 NBR 902	BAFUDSL	12011106	●
12,00	28,00	7,00	AS	grooved	0,05	75 FKM 585	BAUMSLX7	412560	●
12,00	28,00	7,00	AS	grooved	0,05	75 FKM 585	BAUMSLX7	476909	○
12,00	28,00	7,00	A	smooth	0,05	72 NBR 902	BAUX2	49004096	●
12,00	28,00	7,00	AS	grooved	0,05	75 FKM 585	BAUMSLX7	522775	○
12,00	28,00	7,00	B	metal	0,05	72 NBR 902	B1	7819	●
12,00	30,00	5,00	B	metal	un-pressurised	72 NBR 902	B1OF	8010	●
12,00	30,00	7,00	A	smooth	0,05	72 NBR 902	BA	2669	●
12,00	30,00	7,00	B	metal	0,05	72 NBR 902	B1	2673	●
12,00	30,00	7,00	A	grooved	0,05	75 FKM 585	BAUMX7	412668	●
12,00	30,00	10,00	C	metal	0,05	72 NBR 902	B2	22848	●
12,00	30,00	10,00	A	smooth	0,05	72 NBR 902	BA	6620	●
12,00	30,00	12,00	A	smooth	0,05	72 NBR 902	BA	6629	●
12,00	32,00	5,00	B	metal	0,05	72 NBR 902	B1	19303	●
12,00	32,00	7,00	B	metal	0,05	72 NBR 902	B1	19304	●
12,00	32,00	7,00	A	smooth	0,05	72 NBR 902	BAUX2	49004095	●
12,00	32,00	7,00	A	grooved	0,05	75 FKM 585	BAUMX7	525462	●
12,00	32,00	7,00	AS	smooth	*	72 NBR 902	BABSL	62027	●
12,00	32,00	10,00	C	metal	0,05	72 NBR 902	B2U	22849	●
12,00	32,00	10,00	A	smooth	0,05	72 NBR 902	BA	6633	●
12,00	35,00	10,00	A	smooth	0,05	72 NBR 902	BAU	6635	●
12,70	22,00	6,00	A	smooth	0,05	72 NBR 902	BAU	6637	●
13,00	20,00	4,00	B	metal	0,05	72 NBR 902	B1	23833	●
13,00	22,00	4,00	A	smooth	0,02	72 NBR 902	BAFUD	12010781	●
13,00	22,00	5,00	B	metal	0,05	72 NBR 902	B1	19306	●
13,00	23,00	6,00	A	smooth	0,05	72 NBR 902	BA	6656	●
13,00	25,00	5,00	A	smooth	0,05	72 NBR 902	BA	6658	●
13,00	26,00	7,00	B	metal	0,05	72 NBR 902	B1U	19307	●
13,00	26,00	7,00	A	grooved	0,05	75 FKM 585	BAUMX7	521531	●
13,00	26,00	7,00	A	smooth	0,05	72 NBR 902	BAU	6663	●
13,00	28,00	7,00	AS	smooth	0,05	72 NBR 902	BASL	3367	●
13,00	30,00	8,00	A	smooth	0,05	72 NBR 902	BA	6671	●
13,70	24,00	7,00	AS	smooth	0,05	75 FKM 585	BAUMSL	521313	○
14,00	20,00	5,00	A	smooth	un-pressurised	72 NBR 902	BAOF	6681	●
14,00	22,00	4,00	A	smooth	0,05	72 NBR 902	BA	33554	●
14,00	22,00	4,00	A	smooth	0,05	75 FKM 585	BAUM	378313	○
14,00	23,00	7,00	A	smooth	0,05	75 FKM 585	BAUM	378357	○
14,00	23,00	7,00	A	smooth	0,05	72 NBR 902	BAU	6683	●
14,00	24,00	7,00	A	smooth	0,05	72 NBR 902	BA	12010784	○

● Available from stock    ○ On request: Tool is available, delivery at short notice    \* → Diagram 2, page 18

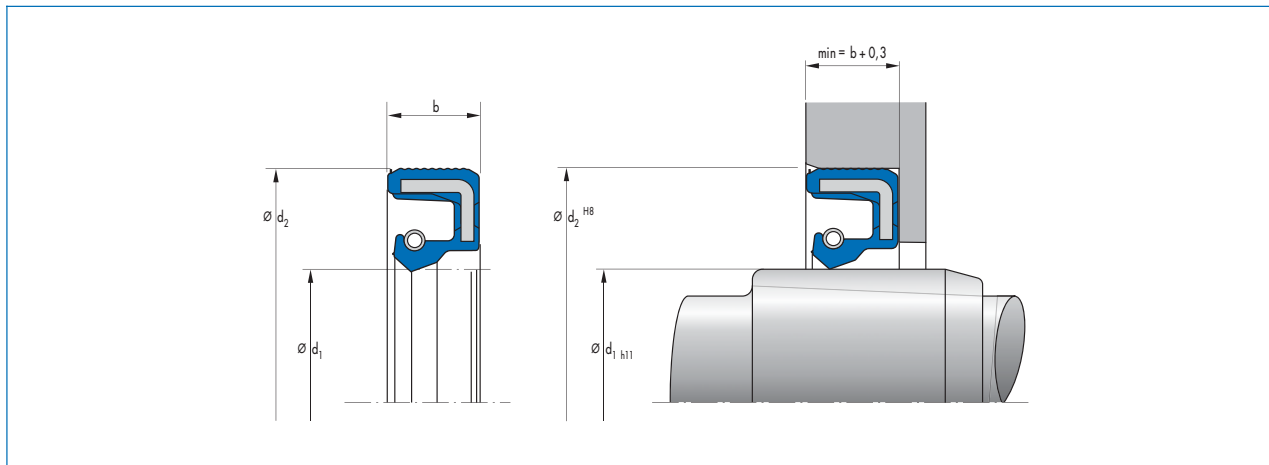


d <sub>1</sub>	d <sub>2</sub>	b	DIN 3761	Outer surface	Pressure	Material	Type	Article No.	
14,00	24,00	7,00	AS	smooth	*	72 NBR 902	BABSL	12011516	●
14,00	24,00	7,00	AS	smooth	*	75 FKM 595	BABSL	12013186	●
14,00	24,00	7,00	A	grooved	0,05	75 FKM 585	BAUMX7	406317	●
14,00	24,00	7,00	AS	grooved	0,05	75 FKM 585	BAUMSLX7	468758	●
14,00	24,00	7,00	A	smooth	0,05	72 NBR 902	BA	531005	●
14,00	24,00	7,00	B	metal	0,05	72 NBR 902	B1	7831	●
14,00	24,00	7,00	AS	smooth	0,05	72 NBR 902	BAUSLX2	86818	○
14,00	25,00	5,00	A	smooth	0,05	72 NBR 902	BA	6694	●
14,00	25,00	7,00	B	metal	0,05	72 NBR 902	B1	21702	●
14,00	26,00	7,00	B	metal	0,05	72 NBR 902	B1	19311	●
14,00	26,00	7,00	A	smooth	0,05	72 NBR 902	BA	6700	●
14,00	28,00	7,00	AS	smooth	0,02	72 NBR 902	BAFUDSL	12011750	●
14,00	28,00	7,00	A	grooved	0,02	72 NBR 902	BAFUDX7	355486	●
14,00	28,00	7,00	AS	grooved	0,05	75 FKM 585	BAUMSLX7	405402	●
14,00	28,00	7,00	B	metal	0,05	72 NBR 902	B1U	7839	●
14,00	30,00	4,00	A	metal	un-pressurised	80 NBR 177458	MSC 01	508514	●
14,00	30,00	4,00	A	metal	un-pressurised	80 FKM 177459	MSC 01	508562	●
14,00	30,00	7,00	B	metal	0,05	72 NBR 902	B1	2680	●
14,00	30,00	7,00	C	metal	up to 1 MPa	PTFE F56101	B2PT	406526	●
14,00	30,00	7,00	A	grooved	0,05	75 FKM 585	BAUMX7	412665	●
14,00	30,00	7,00	A	smooth	0,05	72 NBR 902	BAU	6713	●
14,00	30,00	10,00	C	metal	0,05	72 NBR 902	B2U	22854	●
14,00	30,00	10,00	AS	smooth	0,05	72 NBR 902	BASL	38284	●
14,00	30,00	10,00	A	smooth	0,05	72 NBR 902	BAU	6717	●
14,00	32,00	7,00	B	metal	0,05	72 NBR 902	B1U	19313	●
14,00	32,00	10,00	A	smooth	0,05	72 NBR 902	BA	6723	●
14,00	35,00	7,00	A	smooth	0,05	72 NBR 902	BA	31450	●
14,00	35,00	10,00	A	smooth	0,05	72 NBR 902	BA	6726	●
15,00	24,00	5,00	A	smooth	0,02	72 NBR 902	BAFUD	12010789	●
15,00	24,00	6,00	AS	smooth	0,02	72 NBR 902	BAFUDSL	12011107	●
15,00	24,00	7,00	AS	smooth	0,02	72 NBR 902	BAFUDSL	12000444	●
15,00	24,00	7,00	BS	metal	0,05	72 NBR 902	B1SL	3482	●
15,00	24,00	7,00	A	grooved	0,05	75 FKM 585	BAUMX7	386187	●
15,00	24,00	7,00	A	grooved	0,05	75 FKM 585	BAUMX7	419704	○
15,00	24,00	7,00	B	metal	0,02	72 NBR 902	B1FUD	428760	●
15,00	24,00	7,00	A	smooth	0,05	72 NBR 902	BA	6736	●

● Available from stock    ○ On request: Tool is available, delivery at short notice    \* → Diagram 2, page 18

d <sub>1</sub>	d <sub>2</sub>	b	DIN 3761	Outer surface	Pressure	Material	Type	Article No.	
15,00	25,00	5,00	A	smooth	0,05	75 FKM 585	BAUM	49012993	●
15,00	25,00	5,00	A	smooth	0,05	72 NBR 902	BA	532053	●
15,00	25,00	6,00	AS	smooth	*	72 NBR 902	BABSL	326153	●
15,00	25,00	6,00	AS	smooth	*	75 FKM 595	BABSL	433218	●
15,00	25,00	6,00	A	smooth	0,05	72 NBR 902	BAUSL	49016152	●
15,00	26,00	4,50	B	metal	un-pressurised	72 NBR 902	B1OF	19581	●
15,00	26,00	7,00	A	smooth	0,05	72 NBR 902	BA	12010791	○
15,00	26,00	7,00	A	grooved	0,05	75 FKM 585	BAUMX7	407042	●
15,00	26,00	7,00	AS	grooved	0,05	75 FKM 585	BAUMSLX7	471673	●
15,00	26,00	7,00	A	smooth	0,05	72 NBR 902	BAUX2	49028520	●
15,00	26,00	7,00	A	smooth	0,05	72 NBR 902	BA	6747	○
15,00	26,00	7,00	A	smooth	0,05	72 NBR 902	BAUSL	6749	●
15,00	26,00	7,00	B	metal	0,05	72 NBR 902	B1	7878	●
15,00	28,00	7,00	B	metal	0,02	72 NBR 902	B1FUD	335083	●
15,00	28,00	7,00	A	grooved	0,05	75 FKM 585	BAUMX7	400666	●
15,00	28,00	9,00	A	smooth	0,05	72 NBR 902	BA	6753	●
15,00	30,00	4,00	A	metal	un-pressurised	80 NBR 177458	MSC 01	508515	●
15,00	30,00	4,00	A	metal	un-pressurised	80 FKM 177459	MSC 01	508563	●
15,00	30,00	4,50	A	smooth	0,02	72 NBR 902	BAFUD	12010793	●
15,00	30,00	7,00	AS	smooth	0,02	72 NBR 902	BAFUDSL	12011109	●
15,00	30,00	7,00	AS	smooth	*	72 NBR 902	BABSL	141150	●
15,00	30,00	7,00	B	metal	0,02	72 NBR 902	B1FUD	335085	●
15,00	30,00	7,00	A	grooved	0,05	75 FKM 585	BAUMX7	388063	●
15,00	30,00	7,00	C	metal	up to 1 MPa	PTFE F56101	B2PT	406529	●
15,00	30,00	7,00	A	smooth	0,05	72 NBR 902	BAUX2	478442	●
15,00	30,00	7,00	AS	smooth	*	75 FKM 595	BABSL	523036	●
15,00	30,00	7,00	A	grooved	0,05	75 FKM 585	BAUMX7	528159	○
15,00	30,00	8,00	C	metal	0,05	72 NBR 902	B2	22675	●
15,00	30,00	8,00	B	metal	0,05	72 NBR 902	B1U	24287	●
15,00	30,00	8,00	AS	smooth	0,05	72 NBR 902	BASL	6764	●
15,00	30,00	10,00	BS	metal	0,05	72 NBR 902	B1SL	20254	●
15,00	30,00	10,00	C	metal	0,05	72 NBR 902	B2U	22857	●
15,00	30,00	10,00	A	grooved	0,05	75 FKM 585	BAUMX7	389461	●
15,00	30,00	10,00	A	smooth	0,05	72 NBR 902	BAU	7592	●
15,00	32,00	6,00	A	metal	un-pressurised	80 FKM 177459	MSC 02	508604	●
15,00	32,00	6,00	A	metal	un-pressurised	80 NBR 177458	MSC 02	508628	●
15,00	32,00	7,00	AS	smooth	*	72 NBR 902	BABSL	322185	●
15,00	32,00	7,00	B	metal	0,02	72 NBR 902	B1FUD	335087	●
15,00	32,00	7,00	C	metal	up to 1 MPa	PTFE F56101	B2PT	406530	●
15,00	32,00	7,00	A	grooved	0,05	75 FKM 585	BAUMX7	411516	●
15,00	32,00	7,00	A	smooth	0,02	72 NBR 902	BAFUD	49001626	●
15,00	32,00	10,00	C	metal	0,05	72 NBR 902	B2	22858	●
15,00	32,00	10,00	A	smooth	0,05	72 NBR 902	BAU	6780	●
15,00	35,00	6,00	AS	smooth	*	72 NBR 902	BABSL	2953	●
15,00	35,00	6,00	AS	smooth	*	75 FKM 595	BABSL	346627	●
15,00	35,00	7,00	B	metal	0,05	72 NBR 902	B1U	3098	●
15,00	35,00	7,00	A	grooved	0,02	72 NBR 902	BAFUDX7	355422	●
15,00	35,00	7,00	A	grooved	0,05	75 FKM 585	BAUMX7	411517	●
15,00	35,00	7,00	BS	metal	0,02	72 NBR 902	B1FUDSL	436749	●
15,00	35,00	7,00	AS	smooth	0,05	75 FKM 585	BAUMSL	466955	○

● Available from stock    ○ On request: Tool is available, delivery at short notice    \* → Diagram 2, page 18

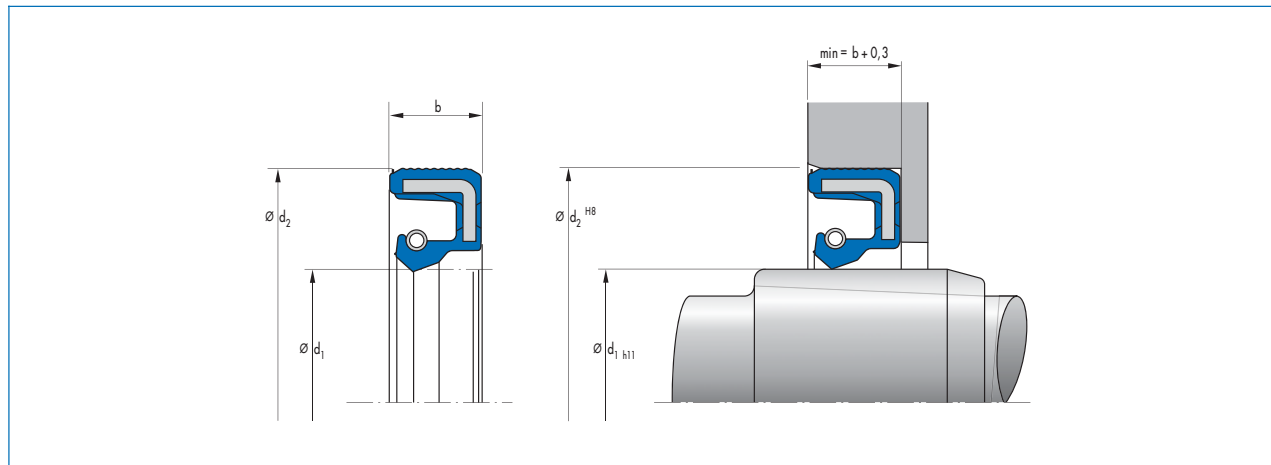


d <sub>1</sub>	d <sub>2</sub>	b	DIN 3761	Outer surface	Pressure	Material	Type	Article No.	
15,00	35,00	7,00	AS	smooth	0,05	72 NBR 902	BAUSLX2	49016894	●
15,00	35,00	7,00	A	smooth	0,05	72 NBR 902	BAUX2	49032758	●
15,00	35,00	7,00	A	smooth	0,05	72 NBR 902	BAU	6784	●
15,00	35,00	8,00	A	smooth	0,05	72 NBR 902	BA	7595	●
15,00	35,00	10,00	C	metal	0,05	72 NBR 902	B2	22677	●
15,00	35,00	10,00	A	smooth	0,05	72 NBR 902	BA	6795	●
15,00	35,00	10,00	AS	smooth	0,05	72 NBR 902	BASL	6796	●
15,00	35,00	10,00	B	metal	0,05	72 NBR 902	B1U	8014	●
15,00	37,00	10,00	A	smooth	0,05	72 NBR 902	BAU	459238	○
15,00	37,00	10,00	B	metal	0,05	72 NBR 902	B1	8017	●
15,00	40,00	7,00	A	smooth	0,05	75 FKM 585	BAUM	522177	●
15,00	40,00	7,00	A	smooth	0,05	72 NBR 902	BAUX2	522178	●
15,00	40,00	10,00	C	metal	0,05	72 NBR 902	B2U	22859	●
15,00	40,00	10,00	A	smooth	0,05	72 NBR 902	BA	6802	●
15,00	42,00	7,00	A	grooved	0,05	72 NBR 902	BAUX27	451922	●
15,00	42,00	7,00	A	grooved	0,05	75 FKM 585	BAUMX7	49001673	●
15,00	42,00	10,00	C	metal	0,05	72 NBR 902	B2	22860	○
15,00	42,00	10,00	C	metal	0,02	72 NBR 902	B2FUD	422249	●
15,00	42,00	10,00	A	smooth	0,05	75 FKM 585	BAUM	49015432	●
15,00	42,00	10,00	A	smooth	0,05	72 NBR 902	BAU	6805	●
16,00	22,00	4,00	B	metal	un-pressurised	72 NBR 902	B1OF	19584	●
16,00	24,00	4,00	A	smooth	0,02	72 NBR 902	BAFUD	12010799	●
16,00	24,00	4,00	B	metal	un-pressurised	72 NBR 902	B1OF	23770	●
16,00	24,00	5,00	A	smooth	0,02	72 NBR 902	BAFUD	12010800	●
16,00	24,00	6,00	B	metal	0,05	72 NBR 902	B1	20397	●
16,00	24,00	7,00	A	smooth	0,02	72 NBR 902	BAFUD	12010801	●
16,00	24,00	7,00	B	metal	un-pressurised	72 NBR 902	B1OF	19585	●
16,00	24,00	7,00	B	metal	0,05	72 NBR 902	B1	22979	●
16,00	26,00	7,00	B	metal	0,05	72 NBR 902	B1	19325	●
16,00	26,00	7,00	A	smooth	0,05	72 NBR 902	BA	33708	●
16,00	26,00	7,00	AS	smooth	*	72 NBR 902	BABSL	462890	●
16,00	26,00	7,00	B	metal	0,05	72 NBR 902	B1USL	49001664	●
16,00	26,00	7,00	A	smooth	0,05	72 NBR 902	BA	49002635	○
16,00	28,00	7,00	B	metal	0,02	72 NBR 902	B1FUD	335088	●
16,00	28,00	7,00	AS	grooved	0,02	72 NBR 902	BAFUDSLX7	335565	●
16,00	28,00	7,00	A	grooved	0,05	75 FKM 585	BAUMX7	389802	●

● Available from stock    ○ On request: Tool is available, delivery at short notice    \* → Diagram 2, page 18

d <sub>1</sub>	d <sub>2</sub>	b	DIN 3761	Outer surface	Pressure	Material	Type	Article No.	
16,00	28,00	7,00	AS	smooth	0,05	75 FKM 585	BAUMSL	411947	○
16,00	28,00	7,00	A	smooth	0,02	72 NBR 902	BAFUD	49001630	●
16,00	28,00	7,00	AS	smooth	0,05	72 NBR 902	BAUSLX2	49013602	●
16,00	30,00	6,00	B	metal	0,02	72 NBR 902	B1FUD	355469	●
16,00	30,00	7,00	B	metal	0,05	72 NBR 902	B1	19328	●
16,00	30,00	7,00	A	grooved	0,05	75 FKM 585	BAUMX7	386013	●
16,00	30,00	7,00	A	smooth	0,05	72 NBR 902	BAU	6829	●
16,00	30,00	10,00	B	metal	0,05	72 NBR 902	B1	19686	●
16,00	30,00	10,00	C	metal	0,05	72 NBR 902	B2U	22679	●
16,00	30,00	10,00	AS	grooved	0,05	75 FKM 585	BAUMSLX7	468759	●
16,00	30,00	10,00	A	smooth	0,05	72 NBR 902	BAU	6839	●
16,00	32,00	4,00	A	metal	un-pressurised	80 NBR 177458	MSC 01	508516	●
16,00	32,00	4,00	A	metal	un-pressurised	80 FKM 177459	MSC 01	508564	●
16,00	32,00	7,00	B	metal	0,05	72 NBR 902	B1U	11420	●
16,00	32,00	7,00	A	smooth	0,05	72 NBR 902	BA	13972	○
16,00	32,00	7,00	AS	grooved	0,05	75 FKM 585	BAUMSLX7	405810	●
16,00	32,00	7,00	A	smooth	0,05	72 NBR 902	BAUX2	525282	●
16,00	32,00	10,00	C	metal	0,05	72 NBR 902	B2U	22861	●
16,00	32,00	10,00	A	smooth	0,05	72 NBR 902	BAU	6845	●
16,00	35,00	7,00	A	smooth	0,05	72 NBR 902	BA	2746	●
16,00	35,00	7,00	B	metal	0,05	72 NBR 902	B1	2748	●
16,00	35,00	7,00	AS	grooved	0,05	75 FKM 585	BAUMSLX7	404317	●
16,00	35,00	7,00	C	metal	up to 1 MPa	PTFE F56101	B2PT	406531	●
16,00	35,00	9,00	AS	smooth	0,05	72 NBR 902	BASL	6847	○
16,00	35,00	10,00	C	metal	0,05	72 NBR 902	B2	22680	●
16,00	35,00	10,00	B	metal	0,02	72 NBR 902	B1FUD	458568	●
16,00	35,00	10,00	A	smooth	0,05	72 NBR 902	BA	6851	●
16,00	40,00	10,00	C	metal	0,05	72 NBR 902	B2	22863	●
16,00	40,00	10,00	AS	smooth	*	75 FKM 595	BABSL	423803	●
16,00	40,00	10,00	A	smooth	0,05	72 NBR 902	BAU	6857	●
16,00	47,00	7,00	A	grooved	0,05	72 NBR 902	BAUX27	451923	●
17,00	25,00	4,00	A	smooth	0,02	72 NBR 902	BAFUD	12010806	●
17,00	25,00	4,50	A	smooth	0,05	75 FKM 585	BAUM	49016724	●
17,00	26,00	6,00	A	smooth	0,05	72 NBR 902	BA	7616	●
17,00	28,00	6,00	B	metal	0,05	72 NBR 902	B1	19330	●
17,00	28,00	6,00	A	smooth	0,02	72 NBR 902	BAFUD	532597	●
17,00	28,00	7,00	B	metal	0,05	72 NBR 902	B1USL	20066	●
17,00	28,00	7,00	B	metal	0,02	72 NBR 902	B1FUD	335089	●
17,00	28,00	7,00	A	grooved	0,05	75 FKM 585	BAUMX7	398038	●
17,00	28,00	7,00	AS	smooth	0,05	72 NBR 902	BAUSLX2	49001668	●
17,00	28,00	7,00	A	smooth	0,05	72 NBR 902	BAUX2	49023151	●
17,00	28,00	7,00	AS	grooved	0,05	75 FKM 585	BAUMSLX7	520222	●
17,00	28,00	7,00	A	smooth	0,05	72 NBR 902	BA	6870	○
17,00	30,00	6,00	AS	smooth	*	75 FKM 595	BABSL	12013032	●
17,00	30,00	6,00	AS	smooth	*	72 NBR 902	BABSL	12015495	●
17,00	30,00	7,00	B	metal	0,02	72 NBR 902	B1FUD	334378	●
17,00	30,00	7,00	AS	smooth	0,05	72 NBR 902	BASL	384327	○
17,00	30,00	7,00	A	grooved	0,05	75 FKM 585	BAUMX7	399045	●
17,00	30,00	7,00	A	smooth	0,05	72 NBR 902	BAUX2	507567	●
17,00	30,00	7,00	AS	smooth	0,05	72 NBR 902	BASL	6878	●

● Available from stock    ○ On request: Tool is available, delivery at short notice    \* → Diagram 2, page 18

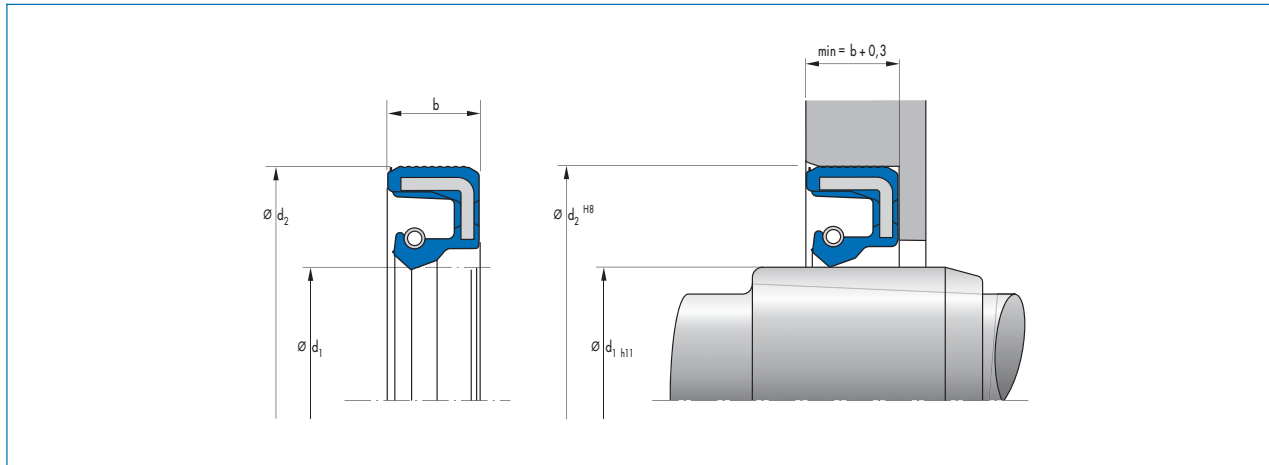


d <sub>1</sub>	d <sub>2</sub>	b	DIN 3761	Outer surface	Pressure	Material	Type	Article No.	
17,00	30,00	10,00	B	metal	0,05	72 NBR 902	B1U	19334	●
17,00	32,00	4,00	A	metal	un-pressurised	80 NBR 177458	MSC 01	508517	●
17,00	32,00	4,00	A	metal	un-pressurised	80 FKM 177459	MSC 01	508565	●
17,00	32,00	7,00	AS	smooth	0,05	72 NBR 902	BASL	2184	●
17,00	32,00	7,00	B	metal	0,05	72 NBR 902	B1U	2749	●
17,00	32,00	7,00	A	grooved	0,02	72 NBR 902	BAFUDX7	355628	●
17,00	32,00	7,00	AS	grooved	0,05	75 FKM 585	BAUMSLX7	405409	●
17,00	32,00	7,00	A	grooved	0,05	75 FKM 585	BAUMX7	407043	●
17,00	32,00	10,00	C	metal	0,05	72 NBR 902	B2	22681	●
17,00	32,00	10,00	A	smooth	0,05	72 NBR 902	BA	6884	●
17,00	33,00	9,00	AS	smooth	0,05	72 NBR 902	BASL	31254	●
17,00	34,00	4,00	B	metal	0,05	72 NBR 902	B1	7893	●
17,00	34,00	6,00	A	metal	un-pressurised	80 FKM 177459	MSC 02	508605	●
17,00	34,00	6,00	A	metal	un-pressurised	80 NBR 177458	MSC 02	508629	●
17,00	35,00	7,00	AS	smooth	*	72 NBR 902	BABSL	12011728	●
17,00	35,00	7,00	B	metal	0,02	72 NBR 902	B1FUD	334937	●
17,00	35,00	7,00	AS	grooved	0,05	75 FKM 585	BAUMSLX7	405803	●
17,00	35,00	7,00	C	metal	up to 1 MPa	PTFE F56101	B2PT	406532	●
17,00	35,00	7,00	A	smooth	0,05	72 NBR 902	BAUX2	478759	●
17,00	35,00	7,00	AS	smooth	0,05	72 NBR 902	BAUSLX2	524144	●
17,00	35,00	8,00	C	metal	0,02	72 NBR 902	B2FUD	334907	●
17,00	35,00	8,00	B	metal	0,02	72 NBR 902	B1FUD	334938	●
17,00	35,00	8,00	A	smooth	0,05	72 NBR 902	BAU	6893	○
17,00	35,00	10,00	C	metal	0,02	72 NBR 902	B2FUD	334908	●
17,00	35,00	10,00	B	metal	0,02	72 NBR 902	B1FUD	335091	●
17,00	35,00	10,00	AS	smooth	0,05	72 NBR 902	BASL	6898	●
17,00	35,00	10,00	A	smooth	0,05	72 NBR 902	BA	6899	●
17,00	37,00	7,00	AS	smooth	0,05	72 NBR 902	BASL	392791	●
17,00	37,00	7,00	A	smooth	0,05	72 NBR 902	BA	6904	●
17,00	40,00	7,00	A	grooved	0,05	75 FKM 585	BAUMX7	400677	●
17,00	40,00	7,00	A	smooth	0,05	72 NBR 902	BAUX2	478443	●
17,00	40,00	7,00	AS	grooved	0,05	75 FKM 585	BAUMSLX7	524290	●
17,00	40,00	7,00	AS	smooth	0,05	72 NBR 902	BAUSLX2	524509	●
17,00	40,00	7,00	B	metal	0,05	72 NBR 902	B1U	8019	●
17,00	40,00	8,50	A	smooth	0,02	72 NBR 902	BAFUD	12010814	●
17,00	40,00	10,00	B	metal	0,05	72 NBR 902	B1U	19692	●

● Available from stock    ○ On request: Tool is available, delivery at short notice    \* → Diagram 2, page 18

d <sub>1</sub>	d <sub>2</sub>	b	DIN 3761	Outer surface	Pressure	Material	Type	Article No.	
17,00	40,00	10,00	C	metal	0,05	72 NBR 902	B2	22865	●
17,00	40,00	10,00	A	smooth	0,05	72 NBR 902	BAU	7653	●
17,00	47,00	7,00	A	grooved	0,02	72 NBR 902	BAUX7	356743	●
17,00	47,00	7,00	A	grooved	0,05	75 FKM 585	BAUMX7	524508	●
17,00	47,00	10,00	C	metal	0,05	72 NBR 902	B2	22866	●
17,00	47,00	10,00	A	smooth	0,05	72 NBR 902	BAU	6924	●
17,50	28,00	6,00	A	smooth	0,02	72 NBR 902	BAFUD	1200066	●
18,00	24,00	4,00	B	metal	0,05	72 NBR 902	B1	11350	●
18,00	28,00	7,00	A	smooth	0,05	72 NBR 902	BA	128888	○
18,00	28,00	7,00	B	metal	0,05	72 NBR 902	B1U	20888	●
18,00	28,00	7,00	A	grooved	0,02	72 NBR 902	BAFUDX7	355487	●
18,00	28,00	7,00	A	grooved	0,05	75 FKM 585	BAUMX7	411518	●
18,00	28,00	7,00	A	grooved	0,05	75 FKM 585	BAUMX7	49002248	○
18,00	30,00	6,00	AS	smooth	*	75 FKM 595	BABSL	116021	●
18,00	30,00	6,00	AS	smooth	*	72 NBR 902	BABSL	478785	●
18,00	30,00	7,00	AS	smooth	*	72 NBR 902	BABSL	12011517	●
18,00	30,00	7,00	AS	grooved	0,02	72 NBR 902	BAFUDSLX7	334286	●
18,00	30,00	7,00	B	metal	0,02	72 NBR 902	B1FUD	335092	●
18,00	30,00	7,00	BS	metal	0,05	72 NBR 902	B1SL	361194	●
18,00	30,00	7,00	A	grooved	0,05	75 FKM 585	BAUMX7	399819	●
18,00	30,00	7,00	A	smooth	0,05	72 NBR 902	BA	7664	●
18,00	32,00	6,00	AS	smooth	*	72 NBR 902	BABSL	12001667	●
18,00	32,00	7,00	B	metal	0,05	72 NBR 902	B1	19345	●
18,00	32,00	7,00	A	smooth	0,05	72 NBR 902	BAU	2751	●
18,00	32,00	7,00	A	grooved	0,05	75 FKM 585	BAUMX7	403077	●
18,00	32,00	7,00	C	metal	up to 1 MPa	PTFE F56101	B2PT	406533	●
18,00	32,00	8,00	AS	smooth	0,05	72 NBR 902	BASL	6959	●
18,00	33,00	4,00	A	metal	un-pressurised	80 NBR 177458	MSC 01	508518	●
18,00	33,00	4,00	A	metal	un-pressurised	80 FKM 177459	MSC 01	508566	●
18,00	35,00	6,00	AS	smooth	*	72 NBR 902	BABSL	2957	●
18,00	35,00	6,00	AS	smooth	*	75 FKM 595	BABSL	49009018	●
18,00	35,00	7,00	B	metal	0,05	72 NBR 902	B1U	2488	●
18,00	35,00	7,00	A	smooth	0,05	72 NBR 902	BA	2752	●
18,00	35,00	7,00	A	grooved	0,05	75 FKM 585	BAUMX7	399825	●
18,00	35,00	7,00	AS	grooved	0,05	75 FKM 585	BAUMSLX27	405796	●
18,00	35,00	7,00	AS	grooved	0,05	72 NBR 902	BAUSLX27	451667	●
18,00	35,00	7,00	AS	grooved	0,05	75 FKM 585	BAUMSLX7	533071	●
18,00	35,00	8,00	C	metal	0,05	72 NBR 902	B2U	22686	●
18,00	35,00	8,00	A	smooth	0,05	72 NBR 902	BA	6967	●
18,00	35,00	10,00	C	metal	0,05	72 NBR 902	B2	22867	●
18,00	35,00	10,00	A	smooth	0,05	72 NBR 902	BAUSL	6978	●
18,00	35,00	10,00	A	smooth	0,05	72 NBR 902	BA	6979	●
18,00	35,00	10,00	A	smooth	0,05	72 NBR 902	BA	6980	○
18,00	37,00	10,00	A	smooth	0,05	72 NBR 902	BA	6984	●
18,00	40,00	7,00	A	smooth	0,05	72 NBR 902	BA	9588	●
18,00	40,00	10,00	C	metal	0,05	72 NBR 902	B2	23516	○
18,00	40,00	10,00	A	smooth	0,05	72 NBR 902	BA	6989	●
18,00	47,00	10,00	AS	smooth	0,05	72 NBR 902	BAUSLX2	520530	●
19,00	27,00	6,00	B	metal	0,05	72 NBR 902	B1U	23774	●
19,00	27,00	6,00	A	smooth	0,05	72 NBR 902	BAU	6994	●

● Available from stock    ○ On request: Tool is available, delivery at short notice    \* → Diagram 2, page 18



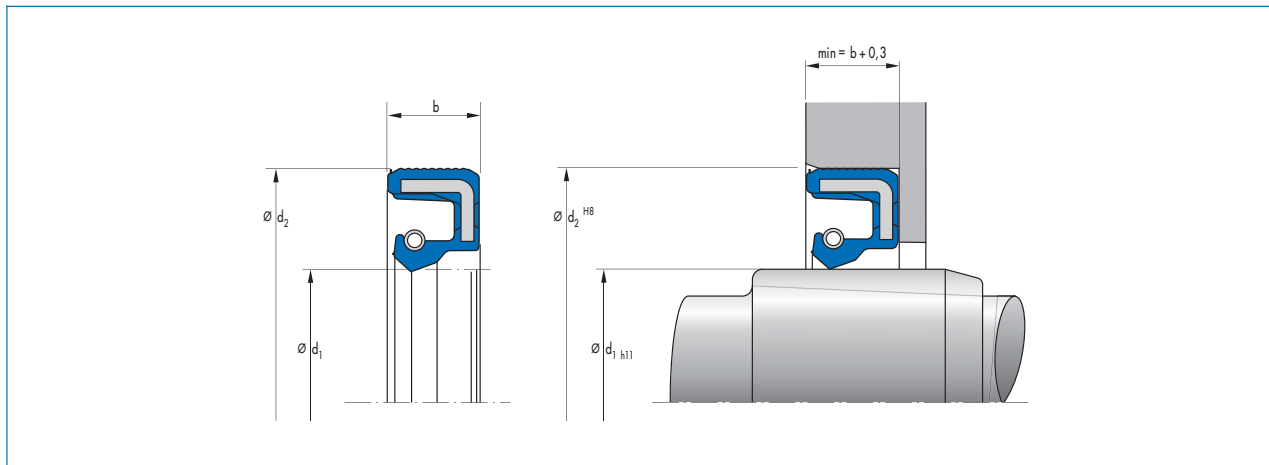
d <sub>1</sub>	d <sub>2</sub>	b	DIN 3761	Outer surface	Pressure	Material	Type	Article No.	
19,00	30,00	7,00	A	grooved	0,02	72 NBR 902	BAFUDX7	355620	●
19,00	32,00	7,00	B	metal	0,05	72 NBR 902	B1	19346	●
19,00	32,00	7,00	A	smooth	0,05	72 NBR 902	BAU	49002842	●
19,00	35,00	6,00	AS	smooth	*	75 FKM 595	BABSL	466758	●
19,00	35,00	9,00	AS	smooth	0,05	72 NBR 902	BASL	7003	●
19,00	35,00	10,00	C	metal	0,05	72 NBR 902	B2	22870	●
19,00	35,00	10,00	A	smooth	0,05	72 NBR 902	BA	7008	●
19,00	40,00	10,00	A	smooth	0,05	72 NBR 902	BA	7015	●
19,00	47,00	10,00	C	metal	0,05	72 NBR 902	B2	22872	○
19,05	31,75	6,35	AS	smooth	*	72 NBR 902	BABSL	311089	●
19,05	31,75	6,35	A	smooth	0,05	72 NBR 902	BA	7022	●
19,05	38,10	9,50	C	metal	0,05	72 NBR 902	B2	22874	●
20,00	28,00	6,00	B	metal	0,05	72 NBR 902	B1	383388	●
20,00	28,00	6,00	B	metal	0,05	72 NBR 902	B1U	520585	●
20,00	28,00	6,00	A	smooth	0,02	72 NBR 902	BAFUD	532598	●
20,00	30,00	5,00	B	metal	0,02	72 NBR 902	B1FUD	334376	●
20,00	30,00	5,00	A	grooved	0,05	75 FKM 585	BAUMX27	49024463	●
20,00	30,00	5,00	A	smooth	0,05	72 NBR 902	BAUX2	49033332	●
20,00	30,00	5,00	AS	grooved	0,05	75 FKM 585	BAUMSLX27	521225	●
20,00	30,00	5,00	A	smooth	0,05	72 NBR 902	BAUX2	524143	●
20,00	30,00	7,00	AS	smooth	*	72 NBR 902	BABSL	12020180	●
20,00	30,00	7,00	B	metal	0,05	75 FKM 595	B1U	329248	○
20,00	30,00	7,00	BS	metal	0,02	72 NBR 902	B1FUDSL	335093	●
20,00	30,00	7,00	B	metal	0,02	72 NBR 902	B1FUD	355461	○
20,00	30,00	7,00	A	grooved	0,05	75 FKM 585	BAUMX7	399790	●
20,00	30,00	7,00	C	metal	up to 1 MPa	PTFE F56101	B2PT	406536	●
20,00	30,00	7,00	A	smooth	0,05	72 NBR 902	BAUX2	478758	●
20,00	30,00	7,00	AS	smooth	0,05	72 NBR 902	BAUSLX2	524648	●
20,00	32,00	6,00	AS	smooth	*	75 FKM 595	BABSL	520073	●
20,00	32,00	7,00	AS	grooved	0,02	72 NBR 902	BAFUDSLX7	334813	●
20,00	32,00	7,00	A	grooved	0,05	75 FKM 585	BAUMX7	399787	●
20,00	32,00	7,00	C	metal	up to 1 MPa	PTFE F56101	B2PT	406537	●
20,00	32,00	7,00	AS	grooved	0,05	75 FKM 585	BAUMSLX7	466633	●
20,00	32,00	7,00	AS	smooth	*	72 NBR 902	BABSL	49017151	●
20,00	32,00	7,00	A	smooth	0,02	72 NBR 902	BAFUD	532599	●
20,00	32,00	7,00	B	metal	0,05	72 NBR 902	B1U	7919	●

● Available from stock    ○ On request: Tool is available, delivery at short notice    \* → Diagram 2, page 18



d <sub>1</sub>	d <sub>2</sub>	b	DIN 3761	Outer surface	Pressure	Material	Type	Article No.	
20,00	33,00	10,00	A	smooth	0,05	72 NBR 902	BAU	7071	●
20,00	35,00	4,00	A	metal	un-pessurised	80 NBR 177458	MSC 01	508519	●
20,00	35,00	4,00	A	metal	un-pessurised	80 FKM 177459	MSC 01	508567	●
20,00	35,00	6,00	AS	smooth	*	72 NBR 902	BABSL	2959	●
20,00	35,00	6,00	A	grooved	0,02	72 NBR 902	BAFUDX7	334287	●
20,00	35,00	6,00	AS	smooth	*	75 FKM 595	BABSL	468087	○
20,00	35,00	6,00	AS	smooth	*	75 FKM 595	BABSL	49030261	●
20,00	35,00	7,00	BS	metal	0,05	72 NBR 902	B1SL	150731	●
20,00	35,00	7,00	A	grooved	0,05	75 FKM 585	BAUMX7	388022	●
20,00	35,00	7,00	C	metal	up to 1 MPa	PTFE F56101	B2PT	406538	●
20,00	35,00	7,00	A	grooved	0,05	75 FKM 585	BAUMX7	439221	○
20,00	35,00	7,00	A	smooth	0,05	72 NBR 902	BAUX2	478761	●
20,00	35,00	7,00	AS	smooth	0,05	72 NBR 902	BAUSLX2	478764	●
20,00	35,00	7,00	AS	grooved	0,05	75 FKM 585	BAUMSLX7	521004	●
20,00	35,00	7,00	B	metal	0,02	72 NBR 902	B1FUD	532628	●
20,00	35,00	8,00	A	smooth	0,05	72 NBR 902	BAU	7081	●
20,00	35,00	10,00	B	metal	0,05	72 NBR 902	B1U	19698	●
20,00	35,00	10,00	B	metal	0,05	72 NBR 902	B1USL	20070	●
20,00	35,00	10,00	C	metal	0,05	72 NBR 902	B2U	22689	●
20,00	35,00	10,00	A	smooth	0,05	72 NBR 902	BAUX2	49018325	●
20,00	35,00	10,00	A	smooth	0,05	72 NBR 902	BAUSL	7095	●
20,00	36,00	7,00	A	grooved	0,05	75 FKM 585	BAUMX7	478616	●
20,00	36,00	7,00	A	smooth	0,05	72 NBR 902	BAUX2	49007343	●
20,00	37,00	6,00	B	metal	0,05	72 NBR 902	B1	19360	●
20,00	37,00	6,00	A	metal	un-pessurised	80 FKM 177459	MSC 02	508606	●
20,00	37,00	6,00	A	metal	un-pessurised	80 NBR 177458	MSC 02	508630	●
20,00	37,00	6,00	A	grooved	0,05	75 FKM 585	BAUMX7	524289	●
20,00	37,00	6,00	AS	grooved	0,05	75 FKM 585	BAUMSLX7	524329	●
20,00	37,00	10,00	C	metal	0,05	72 NBR 902	B2	22875	●
20,00	37,00	10,00	A	smooth	0,05	72 NBR 902	BAU	7110	●
20,00	38,00	8,00	A	smooth	0,05	72 NBR 902	BA	7112	●
20,00	40,00	6,00	A	smooth	0,05	72 NBR 902	BA	7714	●
20,00	40,00	7,00	B	metal	0,05	72 NBR 902	B1	19362	●
20,00	40,00	7,00	B	metal	0,05	72 NBR 902	B1	19363	●
20,00	40,00	7,00	A	grooved	0,02	72 NBR 902	BAFUDX7	344888	●
20,00	40,00	7,00	BS	metal	0,05	72 NBR 902	B1SL	34892	●
20,00	40,00	7,00	A	grooved	0,05	75 FKM 585	BAUMX7	397819	●
20,00	40,00	7,00	C	metal	up to 1 MPa	PTFE F56101	B2PT	406539	●
20,00	40,00	7,00	AS	smooth	*	75 FKM 595	BABSL	432903	●
20,00	40,00	7,00	AS	smooth	*	72 NBR 902	BABSL	49001289	●
20,00	40,00	7,00	A	smooth	0,05	72 NBR 902	BAUX2	529398	●
20,00	40,00	7,00	A	smooth	0,05	72 NBR 902	BA	7718	○
20,00	40,00	7,00	AS	smooth	0,05	72 NBR 902	BASL	7721	●
20,00	40,00	8,00	A	smooth	0,05	72 NBR 902	BA	7124	●
20,00	40,00	10,00	A	smooth	0,05	72 NBR 902	BA	11604	●
20,00	40,00	10,00	B	metal	0,05	72 NBR 902	B1	19699	●
20,00	40,00	10,00	B	metal	0,05	72 NBR 902	B1USL	20071	●
20,00	40,00	10,00	C	metal	0,05	72 NBR 902	B2U	22877	●
20,00	40,00	10,00	A	smooth	0,05	72 NBR 902	BAU	7136	●
20,00	40,00	14,00	A	smooth	0,05	72 NBR 902	BADUO	7147	○

● Available from stock    ○ On request: Tool is available, delivery at short notice    \* → Diagram 2, page 18

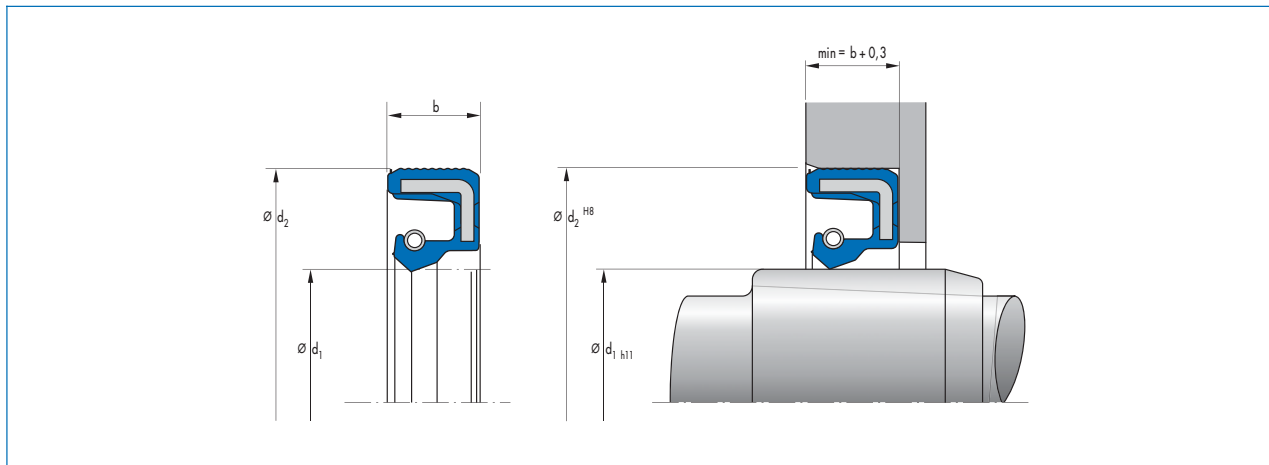


d <sub>1</sub>	d <sub>2</sub>	b	DIN 3761	Outer surface	Pressure	Material	Type	Article No.	
20,00	42,00	6,00	AS	smooth	0,05	75 FKM 585	BAUMSL	527066	●
20,00	42,00	6,00	-	smooth	0,05	75 FKM 585	MSS 1	527075	●
20,00	42,00	7,00	B	metal	0,02	72 NBR 902	B1FUD	334381	●
20,00	42,00	7,00	A	grooved	0,05	75 FKM 585	BAUMX7	403079	●
20,00	42,00	7,00	AS	grooved	0,05	75 FKM 585	BAUMSLX7	405792	●
20,00	42,00	7,00	AS	smooth	0,05	72 NBR 902	BAUSLX2	49004094	●
20,00	42,00	7,00	A	smooth	0,05	72 NBR 902	BAUX2	521667	●
20,00	42,00	10,00	B	metal	0,05	72 NBR 902	B1U	19700	●
20,00	42,00	10,00	C	metal	0,05	72 NBR 902	B2U	22690	●
20,00	42,00	10,00	A	smooth	0,05	72 NBR 902	BA	7723	●
20,00	47,00	7,00	AS	smooth	0,02	72 NBR 902	BAFUDSL	12011119	●
20,00	47,00	7,00	B	metal	0,05	72 NBR 902	B1U	210	●
20,00	47,00	7,00	A	grooved	0,05	75 FKM 585	BAUMX7	399832	●
20,00	47,00	7,00	C	metal	up to 1 MPa	PTFE F56101	B2PT	406540	●
20,00	47,00	7,00	AS	grooved	0,05	75 FKM 585	BAUMSLX7	524288	●
20,00	47,00	7,00	A	smooth	0,05	72 NBR 902	BAUX2	526946	●
20,00	47,00	10,00	C	metal	0,05	72 NBR 902	B2	22878	●
20,00	47,00	10,00	A	smooth	0,05	72 NBR 902	BAU	7724	●
20,00	47,00	10,00	B	metal	0,05	72 NBR 902	B1U	8024	●
20,00	50,00	12,00	C	metal	0,05	72 NBR 902	B2	22879	●
20,00	52,00	6,00	AS	smooth	0,05	75 FKM 585	BAUMSL	531003	●
20,00	52,00	6,00	-	smooth	0,05	75 FKM 585	MSS 1	531002	●
20,00	52,00	7,00	B	metal	0,05	72 NBR 902	B1U	7790	●
20,00	52,00	8,00	AS	smooth	0,05	72 NBR 902	BAUSLX2	526094	●
20,00	52,00	10,00	C	metal	0,05	72 NBR 902	B2	22880	●
20,00	52,00	10,00	A	grooved	0,05	75 FKM 585	BAUMX7	402488	●
20,00	52,00	10,00	A	smooth	0,05	72 NBR 902	BAUX2	478760	●
21,00	30,00	6,50	B	metal	0,05	72 NBR 902	B1	19369	●
21,00	32,00	7,00	B	metal	0,05	72 NBR 902	B1	19371	●
21,00	32,00	7,00	A	smooth	0,05	72 NBR 902	BAUX2	49034522	●
21,00	32,00	7,00	A	smooth	0,05	72 NBR 902	BAU	7194	●
21,00	35,00	8,00	A	smooth	0,05	72 NBR 902	BA	7197	●
21,00	35,00	10,00	C	metal	0,05	72 NBR 902	B2U	22691	●
21,00	40,00	10,00	A	smooth	0,05	72 NBR 902	BAU	7209	●
22,00	32,00	6,00	B	metal	0,05	72 NBR 902	B1U	19376	●
22,00	32,00	6,00	AS	smooth	*	72 NBR 902	BABSL	2966	●

● Available from stock    ○ On request: Tool is available, delivery at short notice    \* → Diagram 2, page 18

d <sub>1</sub>	d <sub>2</sub>	b	DIN 3761	Outer surface	Pressure	Material	Type	Article No.	
22,00	32,00	6,00	AS	smooth	*	75 FKM 595	BABSL	418603	●
22,00	32,00	7,00	BS	metal	0,05	72 NBR 902	B1SL	20072	●
22,00	32,00	7,00	B	metal	0,02	72 NBR 902	B1FUD	335094	●
22,00	32,00	7,00	A	grooved	0,05	75 FKM 585	BAUMX7	402894	●
22,00	32,00	7,00	A	smooth	0,02	72 NBR 902	BAFUD	49001651	●
22,00	32,00	7,00	A	smooth	0,05	72 NBR 902	BA	7217	●
22,00	32,00	7,00	AS	smooth	0,05	72 NBR 902	BASL	7530	●
22,00	33,00	7,00	A	smooth	0,05	72 NBR 902	BAU	8976	●
22,00	35,00	5,00	AS	grooved	0,05	75 FKM 585	BAUMSLX27	520867	●
22,00	35,00	6,00	AS	smooth	*	72 NBR 902	BABSL	2968	●
22,00	35,00	6,00	AS	smooth	*	75 FKM 595	BABSL	348896	●
22,00	35,00	6,50	A	smooth	0,05	72 NBR 902	BAU	7230	●
22,00	35,00	7,00	B	metal	0,05	72 NBR 902	B1U	19705	●
22,00	35,00	7,00	B	metal	0,05	72 NBR 902	B1USL	20073	●
22,00	35,00	7,00	AS	grooved	0,02	72 NBR 902	BAFUDSLX7	346137	●
22,00	35,00	7,00	A	grooved	0,05	75 FKM 585	BAUMX7	388023	●
22,00	35,00	7,00	A	smooth	0,05	72 NBR 902	BAUX2	49001670	●
22,00	35,00	7,00	AS	grooved	0,05	75 FKM 585	BAUMSLX7	520223	●
22,00	35,00	8,00	B	metal	0,05	72 NBR 902	B1	20259	●
22,00	35,00	8,00	A	smooth	0,05	72 NBR 902	BA	7727	●
22,00	35,00	10,00	A	smooth	0,05	72 NBR 902	BAU	7238	●
22,00	37,00	7,00	A	smooth	0,05	72 NBR 902	BA	7243	●
22,00	38,00	8,00	A	smooth	0,05	72 NBR 902	BA	7249	●
22,00	40,00	4,00	A	metal	un-pressurised	80 NBR 177458	MSC 01	508520	●
22,00	40,00	4,00	A	metal	un-pressurised	80 FKM 177459	MSC 01	508568	●
22,00	40,00	7,00	A	smooth	0,02	72 NBR 902	BAFUD	12011120	●
22,00	40,00	7,00	B	metal	0,05	72 NBR 902	B1	13976	●
22,00	40,00	7,00	B	metal	0,05	72 NBR 902	B1USL	3489	●
22,00	40,00	7,00	A	grooved	0,05	75 FKM 585	BAUMX7	410775	●
22,00	40,00	7,00	AS	smooth	0,05	72 NBR 902	BAUSLX2	478610	●
22,00	40,00	7,00	A	smooth	0,05	72 NBR 902	BAUX2	478757	●
22,00	40,00	7,00	AS	smooth	*	75 FKM 595	BABSL	49028556	○
22,00	40,00	7,00	AS	grooved	0,05	75 FKM 585	BAUMSLX7	520028	●
22,00	40,00	7,00	A	grooved	0,05	75 FKM 585	BAUMX7	528161	○
22,00	40,00	8,00	A	smooth	0,05	72 NBR 902	BAU	7252	●
22,00	40,00	9,00	AS	smooth	0,05	72 NBR 902	BASL	7254	○
22,00	40,00	10,00	B	metal	0,05	72 NBR 902	B1U	19707	●
22,00	40,00	10,00	C	metal	0,05	72 NBR 902	B2U	22883	●
22,00	40,00	10,00	A	smooth	0,05	72 NBR 902	BAU	7259	●
22,00	42,00	10,00	B	metal	0,05	72 NBR 902	B1	19708	●
22,00	42,00	10,00	C	metal	0,05	72 NBR 902	B2	22884	●
22,00	42,00	10,00	A	smooth	0,05	72 NBR 902	BAU	7269	●
22,00	45,00	7,00	A	smooth	0,05	72 NBR 902	BAU	7273	●
22,00	47,00	7,00	B	metal	0,05	72 NBR 902	B1	2720	●
22,00	47,00	7,00	AS	grooved	0,05	75 FKM 585	BAUMSLX7	405788	●
22,00	47,00	7,00	A	grooved	0,05	75 FKM 585	BAUMX7	523972	●
22,00	47,00	7,00	A	smooth	0,05	72 NBR 902	BAUX2	524511	●
22,00	47,00	7,00	AS	smooth	0,05	72 NBR 902	BAUSLX2	526318	●
22,00	47,00	9,00	C	metal	0,05	72 NBR 902	B2	38026	○
22,00	47,00	10,00	B	metal	0,05	72 NBR 902	B1U	19709	○

● Available from stock    ○ On request: Tool is available, delivery at short notice    \* → Diagram 2, page 18

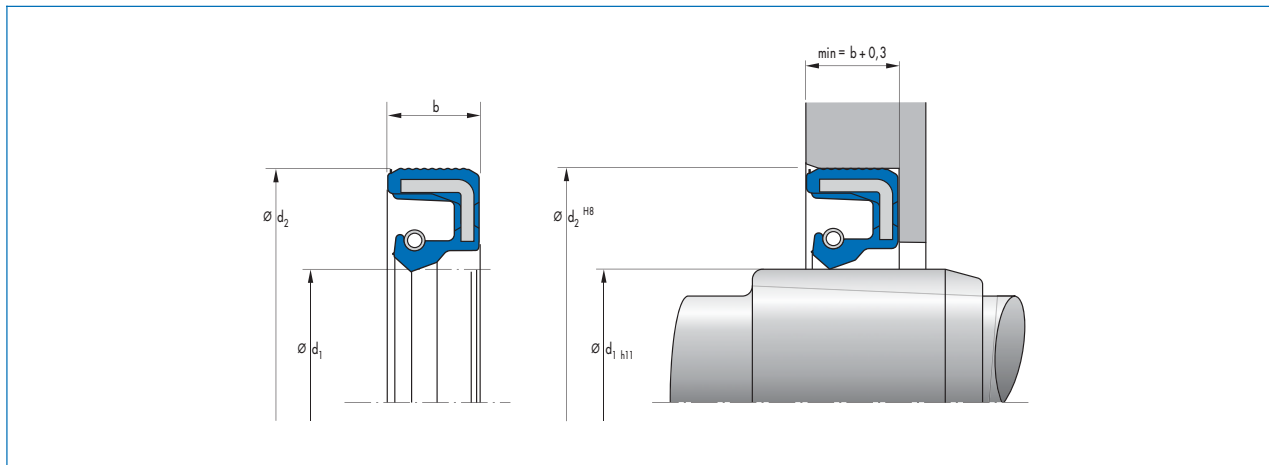


d <sub>1</sub>	d <sub>2</sub>	b	DIN 3761	Outer surface	Pressure	Material	Type	Article No.	
22,00	47,00	10,00	C	metal	0,05	72 NBR 902	B2U	22693	●
22,00	47,00	10,00	A	smooth	0,05	72 NBR 902	BAU	7282	●
22,00	52,00	10,00	AS	grooved	0,05	75 FKM 585	BAUMSLX7	523044	●
22,00	62,00	10,00	AS	smooth	0,05	72 NBR 902	BAUSLX2	520529	●
23,00	40,00	8,00	AS	grooved	0,02	72 NBR 902	BAFUDSLX7	397856	○
23,00	40,00	8,00	A	smooth	0,05	72 NBR 902	BAU	7301	●
23,00	40,00	10,00	C	metal	0,05	72 NBR 902	B2	22886	○
23,00	40,00	10,00	A	grooved	0,02	72 NBR 902	BAFUDX7	334797	●
23,00	42,00	10,00	A	smooth	0,05	72 NBR 902	BAU	339040	●
23,00	47,00	10,00	A	smooth	0,05	72 NBR 902	BA	7311	●
24,00	32,00	7,00	BS	metal	0,05	72 NBR 902	B1SL	20074	●
24,00	35,00	7,00	B	metal	0,05	72 NBR 902	B1	13985	●
24,00	35,00	7,00	A	grooved	0,05	75 FKM 585	BAUMX7	394587	●
24,00	35,00	7,00	A	smooth	0,05	72 NBR 902	BAU	523554	●
24,00	36,00	6,00	B	metal	0,05	72 NBR 902	B1	19388	●
24,00	36,00	7,00	AS	smooth	0,05	72 NBR 902	BASL	7325	●
24,00	36,00	9,00	A	smooth	0,05	72 NBR 902	BAU	7329	●
24,00	37,00	7,00	A	grooved	0,05	75 FKM 585	BAUMX7	397820	●
24,00	37,00	7,00	A	smooth	0,05	72 NBR 902	BAU	7331	●
24,00	37,00	7,00	B	metal	0,05	72 NBR 902	B1	7942	●
24,00	40,00	4,00	A	metal	un-pressurised	80 NBR 177458	MSC 01	508521	●
24,00	40,00	4,00	A	metal	un-pressurised	80 FKM 177459	MSC 01	508569	●
24,00	40,00	7,00	B	metal	0,05	72 NBR 902	B1U	2721	●
24,00	40,00	7,00	A	smooth	0,05	72 NBR 902	BA	37887	●
24,00	40,00	7,00	AS	grooved	0,05	75 FKM 585	BAUMSLX7	404319	●
24,00	40,00	7,00	AS	smooth	*	72 NBR 902	BABSL	432530	●
24,00	40,00	10,00	C	metal	0,05	72 NBR 902	B2U	22888	●
24,00	40,00	10,00	A	smooth	0,05	72 NBR 902	BAU	7337	●
24,00	42,00	10,00	C	metal	0,05	72 NBR 902	B2U	22889	●
24,00	42,00	10,00	A	smooth	0,05	72 NBR 902	BA	7340	●
24,00	47,00	7,00	A	smooth	0,05	72 NBR 902	BA	13989	●
24,00	47,00	7,00	B	metal	0,05	72 NBR 902	B1	2723	●
24,00	47,00	10,00	B	metal	0,05	72 NBR 902	B1U	19713	●
24,00	47,00	10,00	A	smooth	0,05	72 NBR 902	BAUX2	533292	●
24,00	47,00	10,00	C	metal	0,05	72 NBR 902	B2U	8071	●
24,00	50,00	10,00	A	smooth	0,05	72 NBR 902	BAU	7350	●

● Available from stock    ○ On request: Tool is available, delivery at short notice    \* → Diagram 2, page 18

d <sub>1</sub>	d <sub>2</sub>	b	DIN 3761	Outer surface	Pressure	Material	Type	Article No.	
24,00	52,00	12,00	C	metal	0,05	72 NBR 902	B2U	22893	●
24,00	62,00	10,00	A	grooved	0,05	72 NBR 902	BAUX27	451668	●
25,00	32,00	5,00	B	metal	un-pressurised	72 NBR 902	B1OF	23841	●
25,00	32,00	7,00	BS	metal	0,02	72 NBR 902	B1FUDSL	335096	●
25,00	33,00	6,00	A	smooth	0,05	72 NBR 902	BA	347393	○
25,00	33,00	6,00	A	smooth	0,02	72 NBR 902	BAFUD	532600	●
25,00	35,00	6,00	AS	smooth	*	72 NBR 902	BABSL	2990	●
25,00	35,00	6,00	AS	smooth	*	75 FKM 595	BABSL	342369	●
25,00	35,00	7,00	A	smooth	0,05	72 NBR 902	BADUO	3473	○
25,00	35,00	7,00	A	grooved	0,05	75 FKM 585	BAUMX7	397821	●
25,00	35,00	7,00	AS	smooth	0,05	72 NBR 902	BAUSLX2	478777	●
25,00	35,00	7,00	A	smooth	0,05	72 NBR 902	BAUX2	49001662	●
25,00	35,00	7,00	A	smooth	0,05	72 NBR 902	BAUX2	49010730	○
25,00	35,00	7,00	AS	grooved	0,05	75 FKM 585	BAUMSLX7	49027215	●
25,00	35,00	7,00	B	metal	0,02	72 NBR 902	B1FUD	532629	●
25,00	35,00	8,00	A	smooth	0,05	72 NBR 902	BAU	7374	●
25,00	36,00	6,00	AS	smooth	*	72 NBR 902	BABSL	527283	●
25,00	36,00	7,00	A	smooth	0,05	72 NBR 902	BA	7380	●
25,00	37,00	5,00	A	smooth	0,02	72 NBR 902	BAFUD	12010847	●
25,00	37,00	6,00	AS	smooth	*	72 NBR 902	BABSL	49009338	●
25,00	37,00	6,00	AS	smooth	*	75 FKM 595	BABSL	520074	●
25,00	37,00	7,00	B	metal	0,05	72 NBR 902	B1U	19392	●
25,00	37,00	7,00	A	smooth	0,05	72 NBR 902	BA	317308	○
25,00	37,00	7,00	A	smooth	0,05	72 NBR 902	BAUX2	49028651	●
25,00	37,00	7,00	A	smooth	0,05	75 FKM 585	BAUM	49033008	●
25,00	38,00	7,00	B	metal	0,05	72 NBR 902	B1	19394	●
25,00	38,00	7,00	C	metal	up to 1 MPa	PTFE F56101	B2PT	406568	●
25,00	38,00	7,00	A	grooved	0,05	75 FKM 585	BAUMX7	410776	●
25,00	38,00	7,00	AS	grooved	0,05	75 FKM 585	BAUMSLX7	529448	●
25,00	38,00	7,00	A	smooth	0,05	72 NBR 902	BA	7389	●
25,00	40,00	4,00	A	metal	un-pressurised	80 NBR 177458	MSC 01	508522	●
25,00	40,00	4,00	A	metal	un-pressurised	80 FKM 177459	MSC 01	508571	●
25,00	40,00	5,00	A	smooth	0,05	75 FKM 595	BAUM	342330	○
25,00	40,00	5,00	A	grooved	0,02	72 NBR 902	BAFUDX27	355425	●
25,00	40,00	5,00	A	grooved	0,05	75 FKM 585	BAUMX27	526412	●
25,00	40,00	6,00	B	metal	0,05	72 NBR 902	B1	19395	●
25,00	40,00	7,00	AS	smooth	*	72 NBR 902	BABSL	307424	●
25,00	40,00	7,00	A	smooth	0,05	72 NBR 902	BAU	324743	●
25,00	40,00	7,00	B	metal	0,05	72 NBR 902	B1U	3579	●
25,00	40,00	7,00	AS	smooth	*	75 FKM 595	BABSL	366923	●
25,00	40,00	7,00	A	grooved	0,05	75 FKM 585	BAUMX7	400258	●
25,00	40,00	7,00	C	metal	up to 1 MPa	PTFE F56101	B2PT	406569	●
25,00	40,00	7,00	AS	grooved	0,05	75 FKM 585	BAUMSLX7	410111	●
25,00	40,00	7,00	AS	smooth	0,05	72 NBR 902	BAUSLX2	524142	●
25,00	40,00	7,00	A	smooth	0,05	72 NBR 902	BAUX2	529328	●
25,00	40,00	8,00	B	metal	0,05	72 NBR 902	B1U	19716	●
25,00	40,00	8,00	AS	smooth	0,05	75 FKM 585	BAUMSL	423186	○
25,00	40,00	8,00	AS	smooth	0,05	72 NBR 902	BAUSLX2	49017913	●
25,00	40,00	9,00	C	metal	0,05	72 NBR 902	B2U	2490	●
25,00	40,00	9,00	A	smooth	0,05	72 NBR 902	BAUSL	7413	●

● Available from stock    ○ On request: Tool is available, delivery at short notice    \* → Diagram 2, page 18

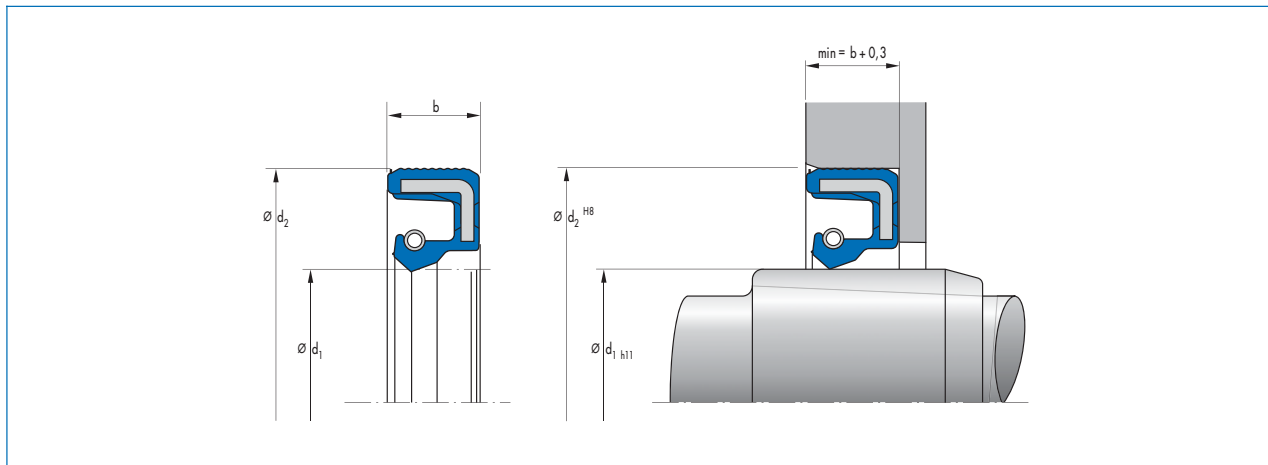


d <sub>1</sub>	d <sub>2</sub>	b	DIN 3761	Outer surface	Pressure	Material	Type	Article No.	
25,00	40,00	10,00	B	metal	0,05	72 NBR 902	B1U	19717	●
25,00	40,00	10,00	C	metal	0,05	72 NBR 902	B2U	22694	●
25,00	40,00	10,00	A	grooved	0,02	72 NBR 902	BAFUDX7	334805	●
25,00	41,00	10,00	C	metal	0,05	72 NBR 902	B2	22894	○
25,00	42,00	6,00	AS	smooth	*	72 NBR 902	BABSL	12001675	●
25,00	42,00	6,00	A	smooth	0,02	72 NBR 902	BAFUD	12010853	●
25,00	42,00	6,00	A	smooth	0,05	75 FKM 585	BAUM	49036524	○
25,00	42,00	6,00	A	metal	un-pressurised	80 FKM 177459	MSC 02	508607	●
25,00	42,00	6,00	A	metal	un-pressurised	80 NBR 177458	MSC 02	508631	●
25,00	42,00	6,00	AS	smooth	0,05	72 NBR 902	BAUSLX2	522901	●
25,00	42,00	6,00	AS	smooth	0,05	75 FKM 585	BAUMSL	522919	●
25,00	42,00	6,00	AS	smooth	*	75 FKM 595	BABSL	523934	●
25,00	42,00	7,00	A	smooth	0,05	72 NBR 902	BAU	112421	○
25,00	42,00	7,00	B	metal	0,05	75 FKM 595	B1U	329294	○
25,00	42,00	7,00	B	metal	0,02	72 NBR 902	B1FUD	334379	●
25,00	42,00	7,00	A	grooved	0,05	75 FKM 585	BAUMX7	390889	●
25,00	42,00	7,00	C	metal	up to 1 MPa	PTFE F56101	B2PT	406570	●
25,00	42,00	7,00	A	grooved	0,05	75 FKM 585	BAUMX7	439222	○
25,00	42,00	7,00	A	smooth	0,05	72 NBR 902	BAUX2	478756	●
25,00	42,00	7,00	AS	smooth	0,05	72 NBR 902	BAUSLX2	478776	●
25,00	42,00	7,00	A	grooved	0,05	75 FKM 585	BAUMX7	522783	○
25,00	42,00	9,00	C	metal	0,05	72 NBR 902	B2U	4571	●
25,00	42,00	10,00	B	metal	0,05	72 NBR 902	B1U	19718	●
25,00	42,00	10,00	B	metal	0,05	72 NBR 902	B1	19719	●
25,00	42,00	10,00	BS	metal	0,05	72 NBR 902	B1SL	20077	●
25,00	42,00	10,00	C	metal	0,05	72 NBR 902	B2U	22895	●
25,00	42,00	10,00	A	grooved	0,02	72 NBR 902	BAFUDX7	334806	●
25,00	42,00	10,00	A	smooth	0,05	72 NBR 902	BA	7426	●
25,00	42,90	9,50	B	metal	0,05	72 NBR 902	B1	19720	●
25,00	42,90	9,50	A	smooth	0,05	72 NBR 902	BA	7746	●
25,00	43,00	10,00	A	smooth	0,05	72 NBR 902	BA	7438	●
25,00	45,00	7,00	A	grooved	0,05	75 FKM 585	BAUMX7	410777	●
25,00	45,00	10,00	B	metal	0,05	72 NBR 902	B1U	19721	●
25,00	45,00	10,00	C	metal	0,05	72 NBR 902	B2	22896	●
25,00	45,00	10,00	A	smooth	0,05	72 NBR 902	BA	7446	●
25,00	45,00	10,00	A	smooth	0,05	72 NBR 902	BAUSL	7755	●

● Available from stock    ○ On request: Tool is available, delivery at short notice    \* → Diagram 2, page 18

d <sub>1</sub>	d <sub>2</sub>	b	DIN 3761	Outer surface	Pressure	Material	Type	Article No.	
25,00	45,00	14,00	A	smooth	0,05	72 NBR 902	BADUO	7453	○
25,00	46,00	7,00	A	smooth	0,05	72 NBR 902	BAU	7457	●
25,00	47,00	6,00	AS	smooth	*	72 NBR 902	BABSL	2991	●
25,00	47,00	6,00	AS	smooth	*	75 FKM 595	BABSL	418622	●
25,00	47,00	7,00	AS	smooth	0,02	72 NBR 902	BAFUDSL	12011125	●
25,00	47,00	7,00	B	metal	0,02	72 NBR 902	B1FUD	334939	●
25,00	47,00	7,00	BS	metal	0,02	72 NBR 902	B1FUDSL	355474	●
25,00	47,00	7,00	A	grooved	0,05	75 FKM 585	BAUMX7	388045	●
25,00	47,00	7,00	C	metal	up to 1 MPa	PTFE F56101	B2PT	406571	●
25,00	47,00	7,00	AS	grooved	0,05	75 FKM 585	BAUMSLX7	436712	●
25,00	47,00	7,00	A	grooved	0,02	72 NBR 902	BAFUDX7	466318	○
25,00	47,00	7,00	A	smooth	0,05	72 NBR 902	BAUX2	478755	●
25,00	47,00	7,00	AS	smooth	0,05	72 NBR 902	BAUSLX2	478790	●
25,00	47,00	8,00	BS	metal	0,02	72 NBR 902	B1FUDSL	421018	●
25,00	47,00	8,00	A	smooth	0,05	72 NBR 902	BA	7460	●
25,00	47,00	9,00	C	metal	0,02	72 NBR 902	B2FUD	334909	●
25,00	47,00	10,00	CS	metal	0,05	72 NBR 902	B2SL	33189	●
25,00	47,00	10,00	C	metal	0,02	72 NBR 902	B2FUD	334910	●
25,00	47,00	10,00	B	metal	0,02	72 NBR 902	B1FUD	334940	●
25,00	47,00	10,00	BS	metal	0,02	72 NBR 902	B1FUDSL	334941	●
25,00	47,00	10,00	A	grooved	0,02	72 NBR 902	BAFUDX7	355411	●
25,00	47,00	10,00	AS	smooth	0,05	75 FKM 585	BAUMSL	527065	●
25,00	47,00	10,00	A	smooth	0,05	72 NBR 902	BA	7467	●
25,00	47,00	10,00	-	smooth	0,05	75 FKM 585	MSS 1	527074	●
25,00	50,00	7,00	AS	grooved	0,05	75 FKM 585	BAUMSLX7	410112	●
25,00	50,00	10,00	B	metal	0,05	72 NBR 902	B1U	19723	●
25,00	50,00	10,00	C	metal	0,05	72 NBR 902	B2	22898	●
25,00	50,00	10,00	A	smooth	0,05	72 NBR 902	BA	7483	●
25,00	50,00	12,00	C	metal	0,05	72 NBR 902	B2	22899	●
25,00	52,00	7,00	B	metal	0,02	72 NBR 902	B1FUD	334942	●
25,00	52,00	7,00	B	metal	0,05	72 NBR 902	B1USL	3494	●
25,00	52,00	7,00	A	grooved	0,05	75 FKM 585	BAUMX7	400698	●
25,00	52,00	7,00	C	metal	up to 1 MPa	PTFE F56101	B2PT	406572	●
25,00	52,00	7,00	AS	grooved	0,05	75 FKM 585	BAUMSLX7	524117	●
25,00	52,00	7,00	AS	smooth	0,05	72 NBR 902	BAUSLX2	524698	●
25,00	52,00	7,00	A	smooth	0,02	72 NBR 902	BAFUD	532617	●
25,00	52,00	8,00	B	metal	0,02	72 NBR 902	B1FUD	334943	●
25,00	52,00	8,00	A	smooth	0,05	72 NBR 902	BA	7488	●
25,00	52,00	9,00	C	metal	0,02	72 NBR 902	B2FUD	334911	●
25,00	52,00	10,00	A	grooved	0,02	72 NBR 902	BAFUDX7	334818	●
25,00	52,00	10,00	C	metal	0,02	72 NBR 902	B2FUD	334912	●
25,00	52,00	10,00	B	metal	0,02	72 NBR 902	B1FUD	334944	●
25,00	52,00	10,00	A	smooth	0,05	72 NBR 902	BAU	523415	●
25,00	52,00	12,00	B	metal	0,05	72 NBR 902	B1USL	20123	●
25,00	52,00	12,00	C	metal	0,02	72 NBR 902	B2FUD	334913	●
25,00	52,00	12,00	B	metal	0,02	72 NBR 902	B1FUD	334946	●
25,00	62,00	7,00	B	metal	0,05	72 NBR 902	B1U	128732	●
25,00	62,00	7,00	A	grooved	0,05	75 FKM 585	BAUMX7	422899	●
25,00	62,00	7,00	AS	grooved	0,05	72 NBR 902	BAUSLX27	451924	●
25,00	62,00	10,00	A	grooved	0,02	72 NBR 902	BAFUDX7	423372	●

● Available from stock    ○ On request: Tool is available, delivery at short notice    \* → Diagram 2, page 18



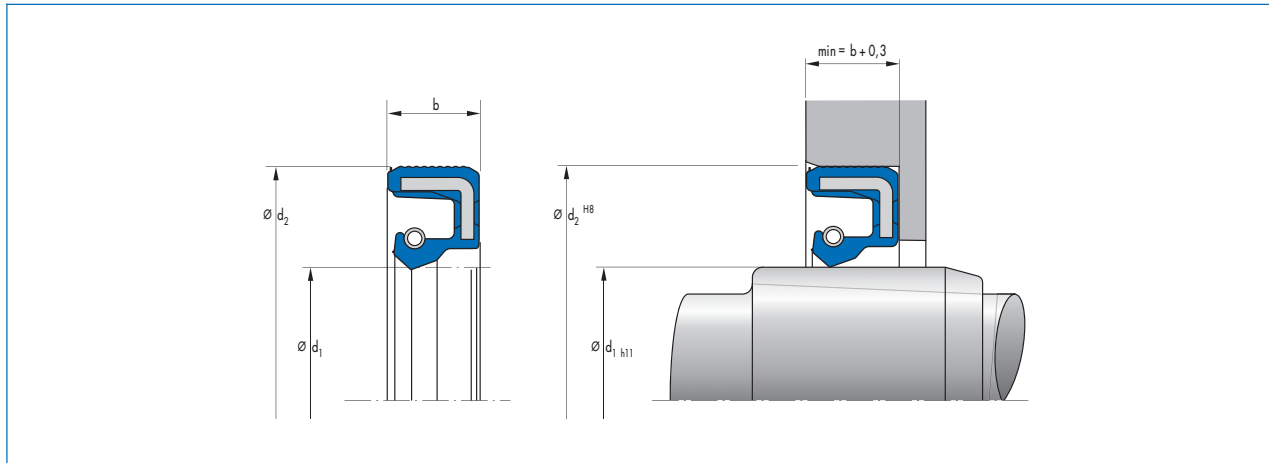
d <sub>1</sub>	d <sub>2</sub>	b	DIN 3761	Outer surface	Pressure	Material	Type	Article No.	
25,00	62,00	10,00	A	smooth	0,05	72 NBR 902	BAU	7503	●
25,00	62,00	12,00	C	metal	0,05	72 NBR 902	B2	22902	●
25,40	38,08	6,76	BS	metal	0,02	72 NBR 902	B1FUDSL	366325	○
25,40	38,10	6,35	AS	smooth	*	72 NBR 902	BABSL	427899	○
26,00	35,00	7,00	AS	smooth	0,02	72 NBR 902	BAFUDSL	12000470	●
26,00	35,00	7,00	B	metal	0,05	72 NBR 902	B1U	7947	●
26,00	36,00	7,00	A	smooth	0,05	72 NBR 902	BAU	7520	●
26,00	37,00	7,00	B	metal	0,05	72 NBR 902	B1	19407	●
26,00	37,00	7,00	A	smooth	0,05	72 NBR 902	BAUSL	3402	●
26,00	37,00	7,00	AS	grooved	0,05	75 FKM 585	BAUMSLX7	407128	●
26,00	37,00	7,00	A	smooth	0,05	72 NBR 902	BAU	7525	●
26,00	40,00	4,00	A	metal	un-pressurised	80 NBR 177458	MSC 01	508523	●
26,00	40,00	4,00	A	metal	un-pressurised	80 FKM 177459	MSC 01	508572	●
26,00	40,00	6,00	AS	smooth	*	75 FKM 595	BABSL	426478	●
26,00	42,00	7,00	AS	smooth	0,02	72 NBR 902	BAFUDSL	12011128	●
26,00	42,00	7,00	B	metal	0,05	72 NBR 902	B1U	2273	●
26,00	42,00	7,00	A	grooved	0,02	72 NBR 902	BAFUDX7	355636	●
26,00	42,00	7,00	A	grooved	0,05	75 FKM 585	BAUMX7	402895	●
26,00	42,00	7,00	AS	smooth	*	75 FKM 595	BABSL	49021064	●
26,00	42,00	10,00	C	metal	0,05	72 NBR 902	B2U	22905	●
26,00	42,00	10,00	AS	smooth	0,05	72 NBR 902	BASL	308072	●
26,00	42,00	10,00	B	metal	0,02	72 NBR 902	B1FUD	407513	●
26,00	42,00	10,00	A	smooth	0,05	72 NBR 902	BA	7535	●
26,00	42,90	9,50	B	metal	0,05	72 NBR 902	B1	19728	○
26,00	45,00	10,00	B	metal	0,02	72 NBR 902	B1FUD	341006	●
26,00	47,00	7,00	A	grooved	0,05	75 FKM 585	BAUMX7	388813	●
26,00	47,00	7,00	A	smooth	0,05	72 NBR 902	BAU	9567	●
26,00	47,00	10,00	C	metal	0,05	72 NBR 902	B2	22906	●
26,00	47,00	10,00	A	smooth	0,05	72 NBR 902	BAU	7540	●
26,00	50,00	10,00	A	smooth	0,05	72 NBR 902	BA	7546	●
26,00	52,00	8,00	A	smooth	0,02	72 NBR 902	BAFUD	12010869	●
26,00	52,00	10,00	A	smooth	0,05	72 NBR 902	BAU	7549	●
26,00	52,00	12,00	B	metal	0,05	72 NBR 902	B1U	426389	●
27,00	37,00	7,00	A	smooth	0,05	72 NBR 902	BAU	39052	●
27,00	39,00	6,00	AS	smooth	*	75 FKM 595	BABSL	49012698	○
27,00	41,00	10,00	C	metal	0,05	72 NBR 902	B2U	22700	●

● Available from stock    ○ On request: Tool is available, delivery at short notice    \* → Diagram 2, page 18



d <sub>1</sub>	d <sub>2</sub>	b	DIN 3761	Outer surface	Pressure	Material	Type	Article No.	
27,00	41,00	10,00	A	smooth	0,05	72 NBR 902	BA	7558	●
27,00	42,00	10,00	A	smooth	0,02	72 NBR 902	BAFUD	12010871	●
27,00	42,00	10,00	C	metal	0,05	72 NBR 902	B2	22701	●
27,00	47,00	6,00	A	smooth	0,05	72 NBR 902	BA	12010872	●
27,00	47,00	7,00	A	smooth	0,05	72 NBR 902	BA	7564	●
27,00	47,00	10,00	B	metal	0,05	72 NBR 902	B1	19731	●
27,00	47,00	10,00	C	metal	0,05	72 NBR 902	B2	22911	●
27,00	47,00	10,00	A	smooth	0,05	72 NBR 902	BA	7567	●
27,00	52,00	8,00	A	smooth	0,05	72 NBR 902	BA	7573	●
27,00	52,00	10,00	A	smooth	0,05	72 NBR 902	BA	7576	●
27,00	62,00	12,00	C	metal	0,05	72 NBR 902	B2	22914	○
28,00	35,00	6,00	B	metal	un-pressurised	72 NBR 902	B1OF	428755	●
28,00	36,00	8,00	A	grooved	0,02	72 NBR 902	BAFUDX7	520461	●
28,00	38,00	7,00	AS	grooved	0,05	75 FKM 585	BAUMSLX7	410113	●
28,00	38,00	7,00	A	grooved	0,05	75 FKM 585	BAUMX7	523862	●
28,00	38,00	7,00	A	smooth	0,05	72 NBR 902	BAU	7582	●
28,00	38,00	7,00	B	metal	0,05	72 NBR 902	B1U	7957	●
28,00	40,00	6,00	AS	smooth	*	72 NBR 902	BABSL	338223	●
28,00	40,00	6,00	AS	smooth	*	75 FKM 595	BABSL	339414	●
28,00	40,00	7,00	B	metal	0,05	72 NBR 902	B1	19410	●
28,00	40,00	7,00	A	grooved	0,02	72 NBR 902	BAFUDX7	355391	●
28,00	40,00	7,00	A	grooved	0,05	75 FKM 585	BAUMX7	400715	●
28,00	40,00	7,00	AS	smooth	0,05	75 FKM 595	BAUMSL	410719	○
28,00	40,00	7,00	AS	smooth	*	72 NBR 902	BABSL	523549	●
28,00	40,00	7,00	AS	smooth	0,05	72 NBR 902	BASL	7771	●
28,00	40,00	7,50	C	metal	0,05	72 NBR 902	B2	38409	●
28,00	40,00	8,00	AS	smooth	*	75 FKM 595	BABSL	404676	●
28,00	40,00	8,00	AS	smooth	*	72 NBR 902	BABSL	432619	●
28,00	40,00	9,00	AS	smooth	*	72 NBR 902	BABSL	68078	●
28,00	40,00	10,00	B	metal	0,05	72 NBR 902	B1U	19412	●
28,00	42,00	7,00	B	metal	0,05	72 NBR 902	B1	251	●
28,00	42,00	8,00	B	metal	0,05	72 NBR 902	B1	19413	●
28,00	42,00	8,00	AS	grooved	0,05	72 NBR 902	BAUSLX27	451925	●
28,00	42,00	8,00	A	smooth	0,05	72 NBR 902	BA	7601	●
28,00	42,00	10,00	AS	smooth	0,05	72 NBR 902	BASL	7603	●
28,00	42,50	8,00	B	metal	0,05	72 NBR 902	B1	19732	●
28,00	42,50	8,00	A	smooth	0,05	72 NBR 902	BA	7605	●
28,00	42,90	9,50	B	metal	0,05	72 NBR 902	B1	19415	●
28,00	42,90	9,50	A	smooth	0,05	72 NBR 902	BA	7608	●
28,00	43,00	4,00	A	metal	un-pressurised	80 NBR 177458	MSC 01	508524	●
28,00	43,00	4,00	A	metal	un-pressurised	80 FKM 177459	MSC 01	508573	●
28,00	43,00	10,00	A	smooth	0,05	72 NBR 902	BA	7611	●
28,00	45,00	7,50	B	metal	0,05	72 NBR 902	B1U	19416	●
28,00	45,00	7,50	A	grooved	0,02	72 NBR 902	BAFUDX7	520462	●
28,00	45,00	8,00	AS	grooved	0,05	75 FKM 585	BAUMSLX7	474113	●
28,00	47,00	5,00	A	smooth	0,05	72 NBR 902	BA	7613	●
28,00	47,00	7,00	AS	smooth	0,02	72 NBR 902	BAFUDSL	12011130	●
28,00	47,00	7,00	B	metal	0,05	72 NBR 902	B1	2730	●
28,00	47,00	7,00	A	grooved	0,05	75 FKM 585	BAUMX7	390252	●
28,00	47,00	7,00	C	metal	up to 1 MPa	PTFE F56101	B2PT	406616	●

● Available from stock    ○ On request: Tool is available, delivery at short notice    \* → Diagram 2, page 18

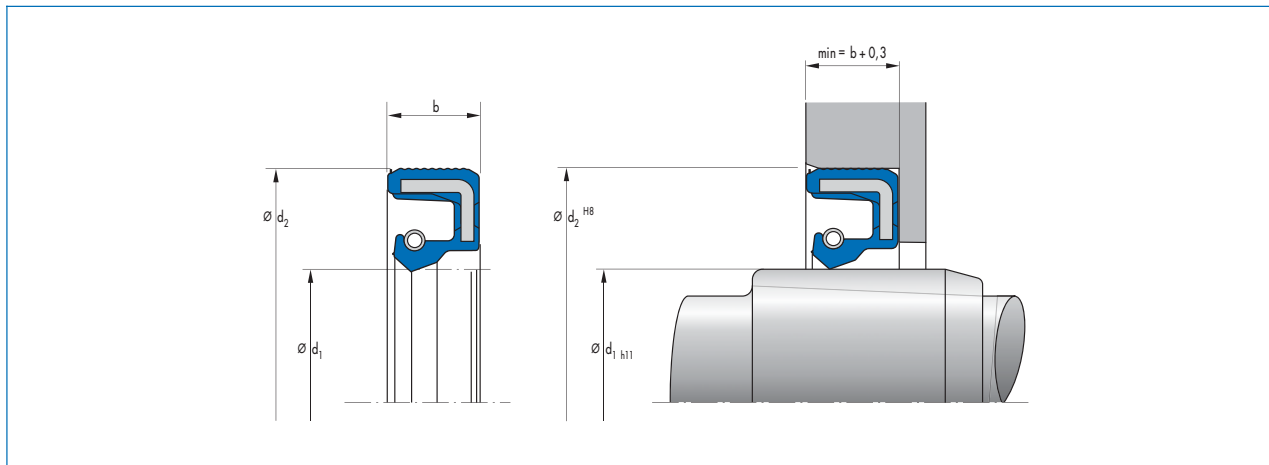


d <sub>1</sub>	d <sub>2</sub>	b	DIN 3761	Outer surface	Pressure	Material	Type	Article No.	
28,00	47,00	7,00	A	smooth	0,05	72 NBR 902	BAUX2	478466	●
28,00	47,00	7,00	AS	smooth	0,05	72 NBR 902	BAUSLX2	49037522	●
28,00	47,00	7,00	AS	grooved	0,05	75 FKM 585	BAUMSLX7	521005	●
28,00	47,00	9,00	C	metal	0,05	72 NBR 902	B2	2479	●
28,00	47,00	9,00	AS	smooth	0,05	72 NBR 902	BASL	7618	●
28,00	47,00	10,00	B	metal	0,05	72 NBR 902	B1	19733	●
28,00	47,00	10,00	BS	metal	0,05	72 NBR 902	B1SL	20126	●
28,00	47,00	10,00	C	metal	0,05	72 NBR 902	B2	22915	●
28,00	47,00	10,00	A	smooth	0,05	72 NBR 902	BAU	7623	●
28,00	50,00	10,00	C	metal	0,05	72 NBR 902	B2U	22704	●
28,00	50,00	10,00	A	smooth	0,05	72 NBR 902	BAU	7631	●
28,00	50,00	12,00	C	metal	0,05	72 NBR 902	B2U	22916	●
28,00	52,00	7,00	A	smooth	0,05	72 NBR 902	BAU	13990	●
28,00	52,00	7,00	B	metal	0,05	72 NBR 902	B1U	13994	●
28,00	52,00	7,00	A	grooved	0,05	75 FKM 585	BAUMX7	400263	●
28,00	52,00	7,00	AS	grooved	0,05	72 NBR 902	BAUSLX27	451926	●
28,00	52,00	7,00	AS	smooth	0,05	75 FKM 585	BAUMSL	49011964	●
28,00	52,00	9,00	C	metal	0,05	72 NBR 902	B2	19623	●
28,00	52,00	10,00	C	metal	0,05	72 NBR 902	B2U	22705	●
28,00	52,00	10,00	AS	smooth	0,05	72 NBR 902	BAUSLX2	49037521	●
28,00	52,00	10,00	AS	smooth	0,02	72 NBR 902	BAFUDSL	532618	●
28,00	52,00	10,00	A	smooth	0,05	72 NBR 902	BAU	7639	●
28,00	52,00	12,00	C	metal	0,05	72 NBR 902	B2	22917	●
28,00	55,00	9,00	A	smooth	0,05	72 NBR 902	BA	7645	●
28,00	62,00	12,00	C	metal	0,05	72 NBR 902	B2	22919	●
28,00	72,00	10,00	A	grooved	0,05	72 NBR 902	BAUX27	451927	●
29,00	42,90	9,50	A	smooth	0,05	72 NBR 902	BA	7650	●
29,00	43,00	7,00	A	smooth	0,05	72 NBR 902	BAU	7652	●
29,00	47,00	10,00	C	metal	0,05	72 NBR 902	B2	22923	●
29,00	50,00	10,00	C	metal	0,05	72 NBR 902	B2	22707	●
29,00	52,00	10,00	C	metal	0,05	72 NBR 902	B2	22924	●
30,00	40,00	7,00	A	grooved	0,05	75 FKM 585	BAUMX7	400273	●
30,00	40,00	7,00	C	metal	up to 1 MPa	PTFE F56101	B2PT	406617	●
30,00	40,00	7,00	AS	grooved	0,05	75 FKM 585	BAUMSLX7	479046	●
30,00	40,00	7,00	A	smooth	0,05	72 NBR 902	BAUX2	520216	●
30,00	40,00	7,00	AS	smooth	0,05	72 NBR 902	BAUSLX2	529402	●

● Available from stock    ○ On request: Tool is available, delivery at short notice    \* → Diagram 2, page 18

d <sub>1</sub>	d <sub>2</sub>	b	DIN 3761	Outer surface	Pressure	Material	Type	Article No.	
30,00	40,00	7,00	B	metal	0,02	72 NBR 902	B1FUD	532630	●
30,00	40,00	8,00	AS	grooved	0,02	72 NBR 902	BAFUDSLX7	334820	●
30,00	42,00	5,70	A	smooth	0,05	72 NBR 902	BAUX2	478056	●
30,00	42,00	5,70	AS	smooth	0,05	72 NBR 902	BAUSLX2	478769	●
30,00	42,00	6,00	B	metal	0,05	72 NBR 902	B1	20417	●
30,00	42,00	6,00	AS	smooth	*	72 NBR 902	BABSL	3003	●
30,00	42,00	6,00	AS	smooth	*	75 FKM 595	BABSL	418629	●
30,00	42,00	7,00	AS	smooth	*	72 NBR 902	BABSL	12001682	●
30,00	42,00	7,00	B	metal	0,02	72 NBR 902	B1FUD	334268	●
30,00	42,00	7,00	BS	metal	0,02	72 NBR 902	B1FUDSL	335097	●
30,00	42,00	7,00	A	grooved	0,02	72 NBR 902	BAFUDX7	355384	●
30,00	42,00	7,00	A	grooved	0,05	75 FKM 585	BAUMX7	400271	●
30,00	42,00	7,00	AS	grooved	0,05	75 FKM 585	BAUMSLX7	479045	●
30,00	42,00	7,00	A	smooth	0,05	72 NBR 902	BAUX2	49001666	●
30,00	42,00	7,00	A	smooth	0,05	72 NBR 902	BAUX2	524506	●
30,00	42,00	7,00	AS	smooth	0,05	72 NBR 902	BAUSLX2	529400	●
30,00	42,00	8,00	AS	smooth	0,05	72 NBR 902	BAUSLX2	49004319	●
30,00	44,00	10,00	B	metal	0,05	72 NBR 902	B1U	19424	●
30,00	45,00	7,00	C	metal	up to 1 MPa	PTFE F56101	B2PT	406619	●
30,00	45,00	7,00	AS	grooved	0,05	75 FKM 585	BAUMSLX7	410115	●
30,00	45,00	7,00	A	smooth	0,05	72 NBR 902	BAU	7685	●
30,00	45,00	8,00	AS	smooth	0,02	72 NBR 902	BAFUDSL	12012582	●
30,00	45,00	8,00	A	smooth	0,05	72 NBR 902	BAU	7686	●
30,00	45,00	8,50	A	smooth	0,05	72 NBR 902	BADUO	3475	○
30,00	45,00	9,50	A	smooth	0,05	72 NBR 902	BAU	7695	●
30,00	45,00	10,00	A	smooth	0,05	72 NBR 902	BAU	7700	●
30,00	45,00	13,00	A	smooth	0,05	72 NBR 902	BAUSL	30497	●
30,00	47,00	4,50	A	metal	un-pressurised	80 NBR 177458	MSC 01	508525	●
30,00	47,00	4,50	A	metal	un-pressurised	80 FKM 177459	MSC 01	508574	●
30,00	47,00	6,00	A	smooth	0,05	72 NBR 902	BAUX2	528822	●
30,00	47,00	7,00	AS	smooth	0,02	72 NBR 902	BAFUDSL	12000480	○
30,00	47,00	7,00	A	smooth	0,05	72 NBR 902	BAU	328283	○
30,00	47,00	7,00	A	grooved	0,05	75 FKM 585	BAUMX7	386014	●
30,00	47,00	7,00	B	metal	0,05	72 NBR 902	B1U	39845	●
30,00	47,00	7,00	AS	grooved	0,05	75 FKM 585	BAUMSLX7	404326	●
30,00	47,00	7,00	C	metal	up to 1 MPa	PTFE F56101	B2PT	406620	●
30,00	47,00	7,00	A	smooth	0,05	75 FKM 595	BAUM	434416	○
30,00	47,00	7,00	B	metal	0,05	72 NBR 902	B1U	458251	○
30,00	47,00	7,00	A	smooth	0,05	72 NBR 902	BAUX2	478441	●
30,00	47,00	7,00	AS	smooth	0,05	72 NBR 902	BAUSLX2	49001669	●
30,00	47,00	7,00	A	smooth	0,05	72 NBR 902	BAUX2	531158	○
30,00	47,00	8,00	B	metal	0,05	72 NBR 902	B1USL	150732	●
30,00	47,00	8,00	C	metal	0,05	72 NBR 902	B2	23631	●
30,00	47,00	8,00	AS	grooved	0,02	72 NBR 902	BAFUDSLX7	532619	●
30,00	47,00	8,00	A	smooth	0,05	72 NBR 902	BAU	7708	●
30,00	47,00	8,00	B	metal	0,05	72 NBR 902	B1	7979	●
30,00	47,00	10,00	B	metal	0,05	72 NBR 902	B1U	19737	●
30,00	47,00	10,00	B	metal	0,05	72 NBR 902	B1USL	20127	●
30,00	47,00	10,00	C	metal	0,05	72 NBR 902	B2U	22708	●
30,00	47,00	10,00	A	grooved	0,02	72 NBR 902	BAFUDX7	355392	●

● Available from stock    ○ On request: Tool is available, delivery at short notice    \* → Diagram 2, page 18

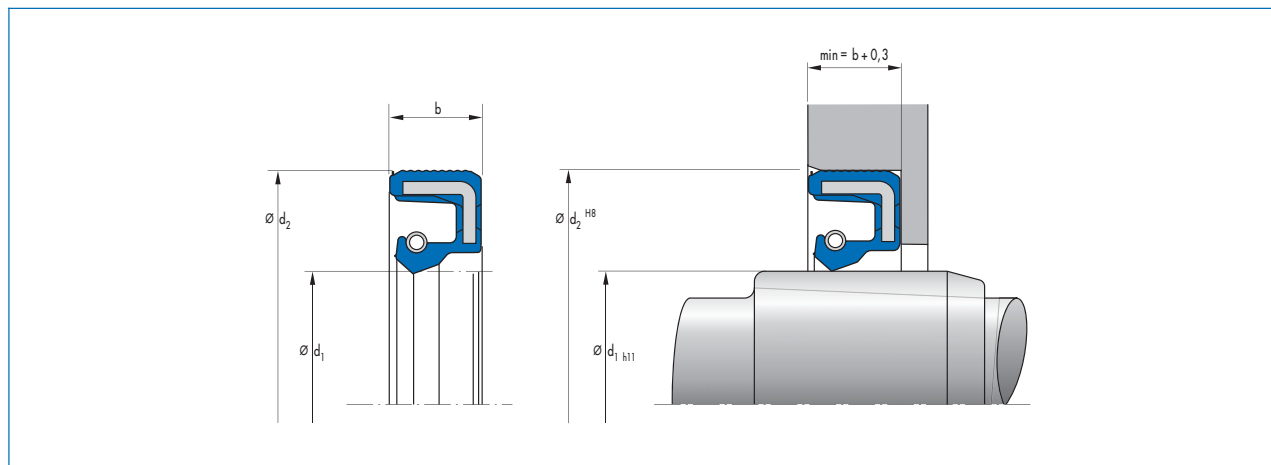


d <sub>1</sub>	d <sub>2</sub>	b	DIN 3761	Outer surface	Pressure	Material	Type	Article No.	
30,00	47,00	10,00	A	smooth	0,05	72 NBR 902	BAU	7716	○
30,00	48,00	6,50	A	metal	un-pressurised	80 FKM 177459	MSC 02	508608	●
30,00	48,00	6,50	A	metal	un-pressurised	80 NBR 177458	MSC 02	508632	●
30,00	48,00	7,00	A	grooved	0,05	75 FKM 585	BAUMX7	478615	●
30,00	48,00	8,00	A	grooved	0,02	72 NBR 902	BAFUDX7	335179	●
30,00	48,00	8,00	AS	grooved	0,05	75 FKM 585	BAUMSLX7	476383	●
30,00	48,00	10,00	B	metal	0,05	72 NBR 902	B1	19738	●
30,00	48,00	10,00	C	metal	0,05	72 NBR 902	B2	22926	●
30,00	48,00	10,00	A	smooth	0,05	72 NBR 902	BA	7729	●
30,00	50,00	7,00	B	metal	0,02	72 NBR 902	B1FUD	334266	●
30,00	50,00	7,00	A	grooved	0,05	75 FKM 585	BAUMX7	400726	●
30,00	50,00	7,00	C	metal	up to 1 MPa	PTFE F56101	B2PT	406621	●
30,00	50,00	7,00	AS	smooth	*	72 NBR 902	BABSL	49019367	●
30,00	50,00	7,00	A	smooth	0,02	72 NBR 902	BAFUD	532620	●
30,00	50,00	8,00	A	smooth	0,02	72 NBR 902	BAFUD	12010884	●
30,00	50,00	9,00	C	metal	0,02	72 NBR 902	B2FUD	334656	●
30,00	50,00	10,00	C	metal	0,02	72 NBR 902	B2FUD	334361	●
30,00	50,00	10,00	B	metal	0,02	72 NBR 902	B1FUD	334655	●
30,00	50,00	10,00	AS	grooved	0,02	72 NBR 902	BAFUDSLX7	335184	●
30,00	50,00	10,00	A	smooth	0,05	72 NBR 902	BA	7741	●
30,00	50,00	10,00	A	smooth	0,05	72 NBR 902	BAU	7742	●
30,00	50,00	12,00	B	metal	0,05	72 NBR 902	B1USL	20129	●
30,00	50,00	12,00	B	metal	0,02	72 NBR 902	B1FUD	334269	●
30,00	50,00	12,00	C	metal	0,02	72 NBR 902	B2FUD	334657	●
30,00	52,00	6,00	AS	smooth	0,05	72 NBR 902	BAUSLX2	522129	●
30,00	52,00	6,00	AS	smooth	0,05	75 FKM 585	BAUMSL	522920	●
30,00	52,00	6,00	-	smooth	0,05	75 FKM 585	MSS 1	49011594	●
30,00	52,00	6,00	-	smooth	0,05	72 NBR 902	MSS 1	528998	●
30,00	52,00	7,00	B	metal	0,02	72 NBR 902	B1FUD	334374	●
30,00	52,00	7,00	AS	smooth	*	72 NBR 902	BABSL	396855	●
30,00	52,00	7,00	A	grooved	0,05	75 FKM 585	BAUMX7	400453	●
30,00	52,00	7,00	AS	grooved	0,05	75 FKM 585	BAUMSLX7	410116	●
30,00	52,00	7,00	AS	smooth	0,05	72 NBR 902	BAUSLX2	524704	●
30,00	52,00	7,00	A	smooth	0,05	72 NBR 902	BAUX2	529401	●
30,00	52,00	8,00	A	smooth	0,05	72 NBR 902	BAU	31709	●
30,00	52,00	9,00	C	metal	0,02	72 NBR 902	B2FUD	334691	●

● Available from stock    ○ On request: Tool is available, delivery at short notice    \* → Diagram 2, page 18

d <sub>1</sub>	d <sub>2</sub>	b	DIN 3761	Outer surface	Pressure	Material	Type	Article No.	
30,00	52,00	9,00	CS	metal	0,05	72 NBR 902	B2SL	34894	●
30,00	52,00	10,00	A	grooved	0,02	72 NBR 902	BAFUDX7	334293	●
30,00	52,00	10,00	B	metal	0,02	72 NBR 902	B1FUD	334686	●
30,00	52,00	10,00	C	metal	0,02	72 NBR 902	B2FUD	334690	●
30,00	52,00	10,00	BS	metal	0,02	72 NBR 902	B1FUDSL	355630	●
30,00	52,00	10,00	AS	smooth	0,05	72 NBR 902	BAUSLX2	526319	●
30,00	52,00	12,00	B	metal	0,05	72 NBR 902	B1USL	20130	●
30,00	52,00	12,00	C	metal	0,02	72 NBR 902	B2FUD	334334	●
30,00	52,00	12,00	B	metal	0,02	72 NBR 902	B1FUD	334685	●
30,00	52,00	12,00	A	smooth	0,05	72 NBR 902	BA	7758	●
30,00	55,00	7,00	AS	grooved	0,05	75 FKM 585	BAUMSLX7	477661	●
30,00	55,00	7,00	AS	smooth	0,05	72 NBR 902	BAUSLX2	478774	●
30,00	55,00	7,00	A	smooth	0,05	72 NBR 902	BAUX2	529837	●
30,00	55,00	10,00	A	grooved	0,02	72 NBR 902	BAFUDX7	334232	●
30,00	55,00	10,00	A	smooth	0,05	72 NBR 902	BAUX2	531106	●
30,00	55,00	10,00	A	smooth	0,05	72 NBR 902	BAUSL	7767	●
30,00	55,00	12,00	B	metal	0,05	72 NBR 902	B1	19745	●
30,00	56,00	10,00	C	metal	0,05	72 NBR 902	B2U	22932	●
30,00	56,00	10,00	A	smooth	0,05	72 NBR 902	BAU	7772	●
30,00	56,00	12,00	C	metal	0,05	72 NBR 902	B2	22933	●
30,00	60,00	10,00	A	smooth	0,05	72 NBR 902	BA	7775	●
30,00	62,00	6,00	B	metal	0,05	72 NBR 902	B1U	19429	●
30,00	62,00	7,00	BS	metal	0,02	72 NBR 902	B1FUDSL	355466	●
30,00	62,00	7,00	A	grooved	0,05	75 FKM 585	BAUMX7	400456	●
30,00	62,00	7,00	AS	grooved	0,05	72 NBR 902	BAUSLX7	478773	●
30,00	62,00	7,00	A	smooth	0,05	72 NBR 902	BAUX2	524703	●
30,00	62,00	7,00	AS	grooved	0,05	75 FKM 585	BAUMSLX7	531232	●
30,00	62,00	9,00	C	metal	0,02	72 NBR 902	B2FUD	334914	●
30,00	62,00	10,00	A	grooved	0,02	72 NBR 902	BAFUDX7	334294	●
30,00	62,00	10,00	C	metal	0,02	72 NBR 902	B2FUD	334915	●
30,00	62,00	12,00	C	metal	0,02	72 NBR 902	B2FUD	334916	●
30,00	62,00	12,00	B	metal	0,02	72 NBR 902	B1FUD	334948	●
30,00	62,00	12,00	A	smooth	0,05	72 NBR 902	BAU	7783	●
30,00	62,00	14,00	A	smooth	0,05	72 NBR 902	BADUO	7786	○
30,00	72,00	8,00	B	metal	0,05	72 NBR 902	B1U	340620	●
30,00	72,00	10,00	C	metal	0,02	72 NBR 902	B2FUD	334356	●
30,00	72,00	10,00	A	grooved	0,05	75 FKM 585	BAUMX7	432764	●
30,00	72,00	10,00	A	smooth	0,05	72 NBR 902	BAUX2	49009357	●
30,00	72,00	10,00	A	smooth	0,02	72 NBR 902	BAFUD	523408	●
30,00	72,00	10,00	AS	smooth	0,05	72 NBR 902	BAUSLX2	524141	●
30,00	72,00	10,00	A	smooth	0,05	72 NBR 902	BA	7788	○
31,00	42,00	8,00	A	grooved	0,02	72 NBR 902	BAFUDX7	520468	●
31,00	47,00	10,00	C	metal	0,05	72 NBR 902	B2	22711	○
31,00	52,00	7,00	A	smooth	0,02	72 NBR 902	BAFUD	523556	●
31,00	52,00	9,50	A	smooth	0,05	72 NBR 902	BAUX2	475754	○
31,75	44,45	6,35	AS	smooth	*	72 NBR 902	BABSL	81721	●
32,00	42,00	7,00	A	smooth	0,02	72 NBR 902	BAFUD	12010894	●
32,00	42,00	7,00	B	metal	0,05	72 NBR 902	B1	19436	●
32,00	42,00	7,00	A	grooved	0,05	75 FKM 585	BAUMX7	402911	●
32,00	42,00	7,00	AS	grooved	0,05	75 FKM 585	BAUMSLX7	450967	●

● Available from stock    ○ On request: Tool is available, delivery at short notice    \* → Diagram 2, page 18

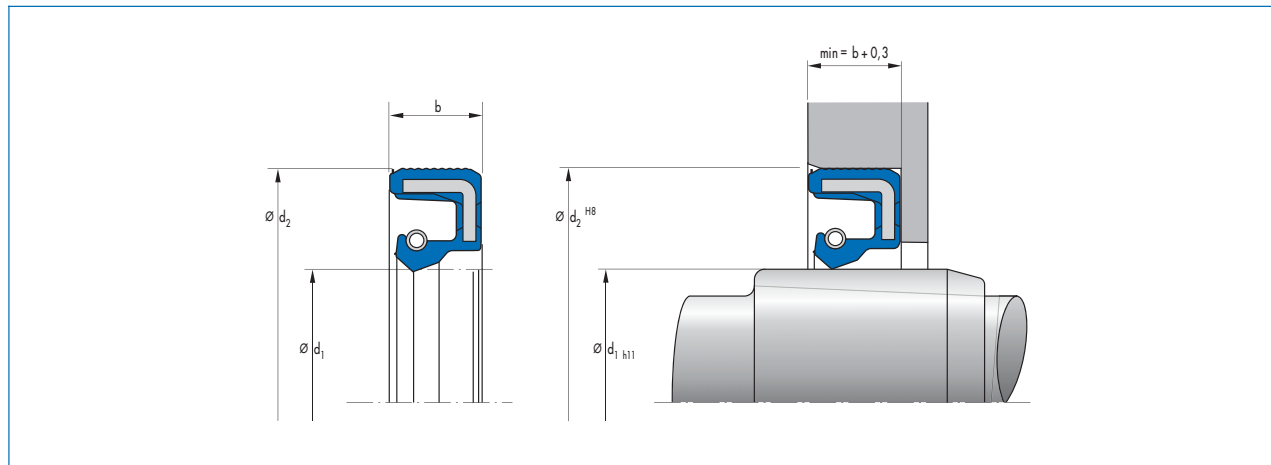


d <sub>1</sub>	d <sub>2</sub>	b	DIN 3761	Outer surface	Pressure	Material	Type	Article No.	
32,00	44,00	8,00	AS	smooth	*	72 NBR 902	BABSL	69442	●
32,00	45,00	6,00	A	smooth	0,05	72 NBR 902	BA	7798	●
32,00	45,00	7,00	A	grooved	0,02	72 NBR 902	BAFUDX7	334305	●
32,00	45,00	7,00	B	metal	0,02	72 NBR 902	B1FUD	346127	●
32,00	45,00	7,00	A	smooth	0,05	72 NBR 902	BAUX2	49032838	●
32,00	45,00	7,00	A	smooth	0,05	75 FKM 595	BAUM	520083	○
32,00	45,00	7,00	AS	smooth	0,02	72 NBR 902	BAFUDSL	523419	●
32,00	47,00	6,00	AS	smooth	*	75 FKM 595	BABSL	418674	●
32,00	47,00	6,00	AS	smooth	*	75 FKM 595	BABSL	49033017	●
32,00	47,00	6,00	AS	smooth	*	72 NBR 902	BABSL	910	●
32,00	47,00	7,00	A	grooved	0,05	75 FKM 585	BAUMX7	400458	●
32,00	47,00	7,00	AS	grooved	0,05	75 FKM 585	BAUMSLX7	407132	●
32,00	47,00	7,00	B	metal	0,02	72 NBR 902	B1FUD	423370	●
32,00	47,00	7,00	A	smooth	0,05	72 NBR 902	BAUX2	49017474	●
32,00	47,00	8,00	C	metal	up to 1 MPa	PTFE F56101	B2PT	406650	●
32,00	47,00	8,50	B	metal	0,05	72 NBR 902	B1U	19440	●
32,00	47,00	9,00	C	metal	0,05	72 NBR 902	B2U	2484	●
32,00	47,00	10,00	B	metal	0,05	72 NBR 902	B1	19750	●
32,00	47,00	10,00	C	metal	0,05	72 NBR 902	B2U	22714	●
32,00	47,00	10,00	BS	metal	0,02	72 NBR 902	B1FUDSL	355465	●
32,00	47,00	10,00	A	smooth	0,05	72 NBR 902	BAU	7811	●
32,00	48,00	8,00	A	smooth	0,05	72 NBR 902	BA	343302	○
32,00	48,00	8,00	A	smooth	0,05	72 NBR 902	BA	7815	●
32,00	49,00	4,50	A	metal	un-pressurised	80 NBR 177458	MSC 01	508527	●
32,00	49,00	4,50	A	metal	un-pressurised	80 FKM 177459	MSC 01	508575	●
32,00	50,00	7,00	B	metal	0,05	72 NBR 902	B1	19443	●
32,00	50,00	7,00	A	grooved	0,05	75 FKM 585	BAUMX7	410778	●
32,00	50,00	8,00	A	smooth	0,05	72 NBR 902	BAU	32679	●
32,00	50,00	10,00	C	metal	0,05	72 NBR 902	B2U	22715	●
32,00	50,00	10,00	AS	grooved	0,05	75 FKM 585	BAUMSLX7	523389	●
32,00	50,00	10,00	A	smooth	0,05	72 NBR 902	BA	7821	●
32,00	50,00	10,00	A	smooth	0,05	72 NBR 902	BAUSL	7822	●
32,00	50,00	12,00	C	metal	0,05	72 NBR 902	B2U	22942	●
32,00	52,00	5,00	A	smooth	0,02	72 NBR 902	BAFUD	12010897	●
32,00	52,00	6,00	AS	smooth	*	72 NBR 902	BABSL	345348	●
32,00	52,00	6,50	BS	metal	0,05	72 NBR 902	B1SL	20085	○

● Available from stock    ○ On request: Tool is available, delivery at short notice    \* → Diagram 2, page 18

d <sub>1</sub>	d <sub>2</sub>	b	DIN 3761	Outer surface	Pressure	Material	Type	Article No.	
32,00	52,00	7,00	B	metal	0,02	72 NBR 902	B1FUD	355631	●
32,00	52,00	7,00	A	grooved	0,05	75 FKM 585	BAUMX7	400754	●
32,00	52,00	7,00	A	smooth	0,05	72 NBR 902	BAUSL	414644	●
32,00	52,00	7,00	AS	smooth	0,05	72 NBR 902	BAUSLX2	49035052	●
32,00	52,00	7,00	AS	grooved	0,05	75 FKM 585	BAUMSLX7	521226	●
32,00	52,00	7,00	A	smooth	0,05	72 NBR 902	BAUX2	524454	●
32,00	52,00	9,00	C	metal	0,02	72 NBR 902	B2FUD	334673	●
32,00	52,00	10,00	AS	smooth	0,02	72 NBR 902	BAFUDSL	12015221	●
32,00	52,00	10,00	B	metal	0,02	72 NBR 902	B1FUD	334270	●
32,00	52,00	10,00	C	metal	0,02	72 NBR 902	B2FUD	334335	●
32,00	52,00	10,00	A	smooth	0,05	72 NBR 902	BA	7833	●
32,00	52,00	12,00	BS	metal	0,05	72 NBR 902	B1SL	20132	●
32,00	52,00	12,00	C	metal	0,02	72 NBR 902	B2FUD	334345	●
32,00	55,00	10,00	A	smooth	0,05	72 NBR 902	BA	7838	●
32,00	55,00	12,00	C	metal	0,05	72 NBR 902	B2	22945	●
32,00	56,00	10,00	A	smooth	0,02	72 NBR 902	BAFUD	12000162	●
32,00	56,00	10,00	A	smooth	0,05	72 NBR 902	BAUSL	7842	●
32,00	56,00	12,00	C	metal	0,05	72 NBR 902	B2	22947	○
32,00	62,00	7,00	A	smooth	0,05	72 NBR 902	BA	371152	●
32,00	62,00	10,00	C	metal	0,05	72 NBR 902	B2	22949	●
32,00	62,00	10,00	AS	grooved	0,05	72 NBR 902	BAUSLX27	451928	●
32,00	62,00	10,00	AS	smooth	0,05	75 FKM 585	BAUMSL	49011963	●
32,00	62,00	10,00	A	smooth	0,05	72 NBR 902	BA	7850	●
32,00	65,00	12,00	C	metal	0,05	72 NBR 902	B2	22951	●
32,00	72,00	12,00	C	metal	0,05	72 NBR 902	B2	22952	●
32,00	80,00	12,00	AS	smooth	0,05	72 NBR 902	BAUSLX2	520528	●
33,00	45,00	7,00	AS	grooved	0,02	72 NBR 902	BAFUDSLX7	397855	○
33,00	45,00	7,00	A	smooth	0,05	72 NBR 902	BAU	7856	●
33,00	50,00	6,00	AS	smooth	0,02	72 NBR 902	BAFUDSL	12011140	●
33,00	50,00	8,00	A	smooth	0,05	72 NBR 902	BA	7862	●
33,00	50,00	10,00	AS	smooth	0,02	72 NBR 902	BAFUDSL	12011141	○
33,00	50,00	10,00	C	metal	0,05	72 NBR 902	B2U	22953	●
33,00	52,00	6,00	A	smooth	0,02	72 NBR 902	BAFUD	12010900	●
33,00	52,00	10,00	C	metal	0,05	72 NBR 902	B2U	22955	●
33,00	52,00	10,00	A	smooth	0,05	72 NBR 902	BA	7875	●
33,00	55,00	7,00	B	metal	0,05	72 NBR 902	B1U	149452	○
34,00	45,00	7,00	B	metal	0,05	72 NBR 902	B1	20275	●
34,00	46,00	8,00	A	smooth	0,05	72 NBR 902	BA	49002841	●
34,00	47,00	9,00	B	metal	0,05	72 NBR 902	B1	19445	●
34,00	49,30	9,50	B	metal	0,05	72 NBR 902	B1U	19756	●
34,00	50,00	10,00	C	metal	0,05	72 NBR 902	B2U	22717	●
34,00	50,00	10,00	A	smooth	0,05	72 NBR 902	BA	7920	●
34,00	52,00	7,00	B	metal	0,05	72 NBR 902	B1	19447	●
34,00	52,00	7,00	AS	smooth	0,05	72 NBR 902	BAUSLX2	520466	●
34,00	52,00	7,00	A	smooth	0,05	72 NBR 902	BAUX2	521284	●
34,00	52,00	8,00	B	metal	0,05	72 NBR 902	B1U	19448	●
34,00	52,00	8,00	A	smooth	0,05	72 NBR 902	BAU	7921	●
34,00	52,00	10,00	AS	smooth	0,02	72 NBR 902	BAFUDSL	12011142	●
34,00	52,00	10,00	C	metal	0,05	72 NBR 902	B2	22963	●
34,00	52,00	10,00	A	smooth	0,05	72 NBR 902	BAU	7926	●

● Available from stock    ○ On request: Tool is available, delivery at short notice    \* → Diagram 2, page 18



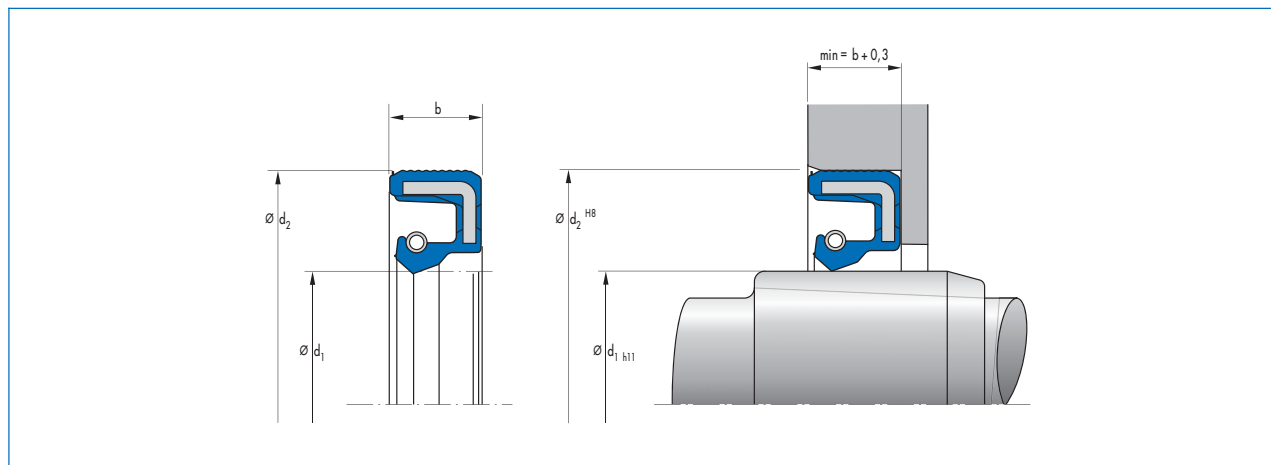
d <sub>1</sub>	d <sub>2</sub>	b	DIN 3761	Outer surface	Pressure	Material	Type	Article No.	
34,00	58,00	13,00	C	metal	0,05	72 NBR 902	B2	22965	●
34,00	62,00	10,00	C	metal	0,05	72 NBR 902	B2	22966	○
34,00	62,00	10,00	A	smooth	0,05	72 NBR 902	BA	7931	●
34,00	72,00	12,00	C	metal	0,05	72 NBR 902	B2	22968	●
35,00	45,00	7,00	A	smooth	0,05	72 NBR 902	BA	143444	●
35,00	45,00	7,00	B	metal	0,02	72 NBR 902	B1FUD	334380	●
35,00	45,00	7,00	BS	metal	0,02	72 NBR 902	B1FUDSL	346129	●
35,00	45,00	7,00	A	grooved	0,05	75 FKM 585	BAUMX7	402913	●
35,00	47,00	4,50	AS	smooth	0,05	72 NBR 902	BAUSLX2	478057	●
35,00	47,00	4,50	A	smooth	0,05	72 NBR 902	BAUX2	478767	●
35,00	47,00	4,50	A	smooth	0,05	75 FKM 585	BAUM	521388	●
35,00	47,00	6,00	AS	smooth	*	72 NBR 902	BABSL	12001688	●
35,00	47,00	6,00	B	metal	0,05	72 NBR 902	B1U	19459	●
35,00	47,00	6,00	AS	smooth	*	75 FKM 595	BABSL	418676	●
35,00	47,00	7,00	A	smooth	0,05	75 FKM 595	BAUM	121904	○
35,00	47,00	7,00	AS	smooth	0,05	75 FKM 585	BAUMSL	305066	○
35,00	47,00	7,00	BS	metal	0,02	72 NBR 902	B1FUDSL	334280	●
35,00	47,00	7,00	B	metal	0,02	72 NBR 902	B1FUD	355463	●
35,00	47,00	7,00	A	grooved	0,05	75 FKM 585	BAUMX7	388048	●
35,00	47,00	7,00	AS	grooved	0,05	75 FKM 585	BAUMSLX7	478651	●
35,00	47,00	7,00	A	smooth	0,05	72 NBR 902	BAUX2	478754	●
35,00	47,00	7,00	AS	smooth	0,05	72 NBR 902	BAUSLX2	478775	●
35,00	47,00	8,00	C	metal	up to 1 MPa	PTFE F56101	B2PT	406651	●
35,00	47,00	10,00	B	metal	0,05	72 NBR 902	B1U	19463	●
35,00	48,00	7,00	AS	grooved	0,05	75 FKM 585	BAUMSLX7	410779	●
35,00	49,30	9,50	B	metal	0,05	72 NBR 902	B1U	19464	●
35,00	49,30	9,50	A	smooth	0,05	72 NBR 902	BA	7970	●
35,00	50,00	7,00	AS	smooth	*	72 NBR 902	BABSL	12011521	●
35,00	50,00	7,00	B	metal	0,02	72 NBR 902	B1FUD	335008	●
35,00	50,00	7,00	A	grooved	0,02	72 NBR 902	BAFUDX7	355627	●
35,00	50,00	7,00	A	grooved	0,05	75 FKM 585	BAUMX7	400759	●
35,00	50,00	7,00	AS	grooved	0,05	75 FKM 585	BAUMSLX7	429489	●
35,00	50,00	8,00	C	metal	up to 1 MPa	PTFE F56101	B2PT	406652	●
35,00	50,00	8,00	AS	smooth	0,05	72 NBR 902	BAUSLX2	49023892	●
35,00	50,00	9,00	C	metal	0,02	72 NBR 902	B2FUD	335011	●
35,00	50,00	10,00	B	metal	0,02	72 NBR 902	B1FUD	335009	●

● Available from stock    ○ On request: Tool is available, delivery at short notice    \* → Diagram 2, page 18



d <sub>1</sub>	d <sub>2</sub>	b	DIN 3761	Outer surface	Pressure	Material	Type	Article No.	
35,00	50,00	10,00	C	metal	0,02	72 NBR 902	B2FUD	335010	●
35,00	50,00	10,00	BS	metal	0,02	72 NBR 902	B1FUDSL	335099	●
35,00	50,00	10,00	A	smooth	0,05	72 NBR 902	BAU	7976	●
35,00	50,00	12,00	BS	metal	0,05	72 NBR 902	B1SL	20090	●
35,00	50,00	12,00	C	metal	0,02	72 NBR 902	B2FUD	335476	●
35,00	52,00	4,50	A	metal	un-pressurised	80 NBR 177458	MSC 01	508528	●
35,00	52,00	4,50	A	metal	un-pressurised	80 FKM 177459	MSC 01	508576	●
35,00	52,00	6,00	AS	smooth	*	72 NBR 902	BABSL	3004	●
35,00	52,00	6,00	AS	smooth	*	75 FKM 595	BABSL	418688	●
35,00	52,00	6,00	AS	smooth	*	72 NBR 902	BABSL	436315	○
35,00	52,00	7,00	B	metal	0,02	72 NBR 902	B1FUD	334271	●
35,00	52,00	7,00	A	grooved	0,05	75 FKM 585	BAUMX7	403081	●
35,00	52,00	7,00	A	smooth	0,05	72 NBR 902	BAUX2	478467	●
35,00	52,00	7,00	AS	grooved	0,05	75 FKM 585	BAUMSLX7	521006	●
35,00	52,00	7,00	AS	smooth	0,05	72 NBR 902	BAUSLX2	526079	●
35,00	52,00	7,00	AS	smooth	0,05	72 NBR 902	BAUSLX2	529399	○
35,00	52,00	8,00	C	metal	up to 1 MPa	PTFE F56101	B2PT	406653	●
35,00	52,00	9,00	C	metal	0,02	72 NBR 902	B2FUD	334917	●
35,00	52,00	9,00	CS	metal	0,05	72 NBR 902	B2USL	34895	●
35,00	52,00	10,00	A	smooth	0,05	72 NBR 902	BAU	307255	○
35,00	52,00	10,00	B	metal	0,02	72 NBR 902	B1FUD	334272	●
35,00	52,00	10,00	A	grooved	0,02	72 NBR 902	BAFUDX7	334307	●
35,00	52,00	10,00	C	metal	0,02	72 NBR 902	B2FUD	334918	●
35,00	52,00	10,00	AS	grooved	0,05	72 NBR 902	BAUSLX27	451929	●
35,00	52,00	10,00	AS	smooth	0,05	72 NBR 902	BAUSLX2	49036047	●
35,00	52,00	10,00	A	smooth	0,05	72 NBR 902	BA	523557	●
35,00	52,00	12,00	B	metal	0,05	72 NBR 902	B1USL	20135	●
35,00	52,00	12,00	B	metal	0,02	72 NBR 902	B1FUD	334273	●
35,00	52,00	12,00	C	metal	0,02	72 NBR 902	B2FUD	334919	●
35,00	53,00	6,50	A	metal	un-pressurised	80 FKM 177459	MSC 02	508609	●
35,00	53,00	6,50	A	metal	un-pressurised	80 NBR 177458	MSC 02	508633	●
35,00	55,00	7,00	AS	grooved	0,05	75 FKM 585	BAUMSLX7	410780	●
35,00	55,00	7,00	A	grooved	0,05	75 FKM 585	BAUMX7	526017	●
35,00	55,00	7,50	A	smooth	0,05	75 FKM 585	BAUM	49036525	○
35,00	55,00	8,00	A	grooved	0,02	72 NBR 902	BAFUDX7	355625	●
35,00	55,00	8,00	C	metal	up to 1 MPa	PTFE F56101	B2PT	406698	●
35,00	55,00	10,00	A	smooth	0,05	72 NBR 902	BAUSL	301731	○
35,00	55,00	10,00	A	smooth	0,05	72 NBR 902	BAU	8008	●
35,00	55,00	11,00	AS	smooth	0,02	72 NBR 902	BAFUDSL	12011146	●
35,00	55,00	12,00	B	metal	0,05	72 NBR 902	B1	19765	●
35,00	55,00	12,00	C	metal	0,05	72 NBR 902	B2	22974	●
35,00	55,50	9,00	B	metal	0,05	72 NBR 902	B1U	19467	●
35,00	56,00	8,00	A	smooth	0,02	72 NBR 902	BAFUD	523407	●
35,00	56,00	10,00	B	metal	0,05	72 NBR 902	B1U	19766	●
35,00	56,00	10,00	B	metal	0,05	72 NBR 902	B1USL	20136	●
35,00	56,00	10,00	C	metal	0,05	72 NBR 902	B2U	22975	●
35,00	56,00	10,00	A	smooth	0,05	72 NBR 902	BAU	8018	●
35,00	56,00	12,00	B	metal	0,05	72 NBR 902	B1U	19767	●
35,00	56,00	12,00	BS	metal	0,05	72 NBR 902	B1SL	20137	●
35,00	56,00	12,00	C	metal	0,05	72 NBR 902	B2U	22976	●

● Available from stock    ○ On request: Tool is available, delivery at short notice    \* → Diagram 2, page 18

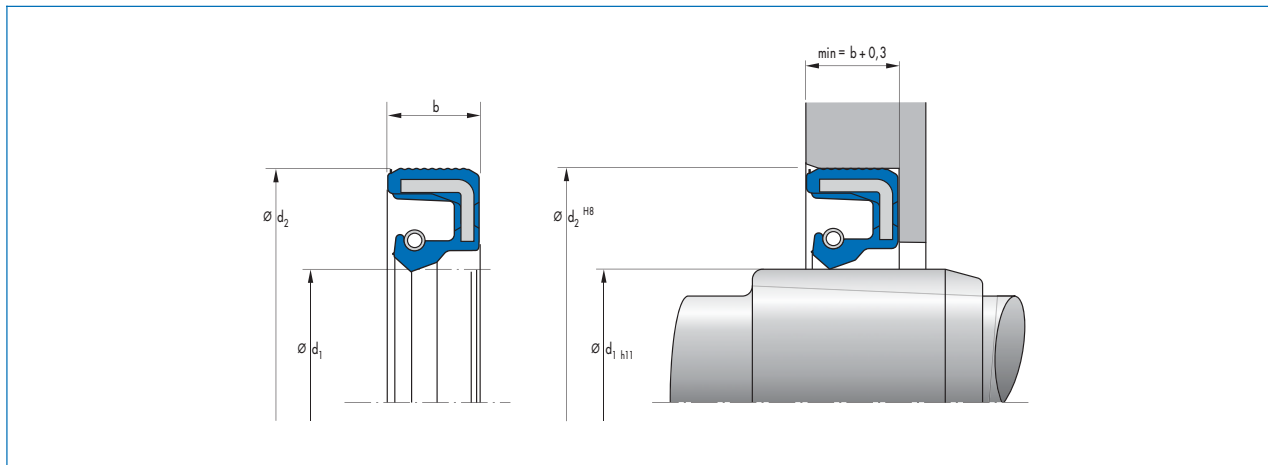


d <sub>1</sub>	d <sub>2</sub>	b	DIN 3761	Outer surface	Pressure	Material	Type	Article No.	
35,00	56,00	12,00	A	smooth	0,05	72 NBR 902	BA	8021	●
35,00	58,00	10,00	A	smooth	0,02	72 NBR 902	BAFUD	12010911	●
35,00	58,00	13,00	C	metal	0,05	72 NBR 902	B2	22977	●
35,00	58,00	13,00	A	smooth	0,05	72 NBR 902	BA	8032	●
35,00	60,00	10,00	A	smooth	0,02	72 NBR 902	BAFUD	12010912	●
35,00	60,00	10,00	B	metal	0,05	72 NBR 902	B1	19769	●
35,00	60,00	10,00	C	metal	0,05	72 NBR 902	B2	22978	●
35,00	60,00	12,00	C	metal	0,05	72 NBR 902	B2	22980	●
35,00	62,00	7,00	B	metal	0,02	72 NBR 902	B1FUD	335187	●
35,00	62,00	7,00	A	grooved	0,05	75 FKM 585	BAUMX7	400459	●
35,00	62,00	7,00	AS	grooved	0,05	75 FKM 585	BAUMSLX7	477670	●
35,00	62,00	7,00	AS	smooth	0,05	72 NBR 902	BAUSLX2	521678	●
35,00	62,00	7,00	A	smooth	0,05	72 NBR 902	BAUX2	524700	●
35,00	62,00	8,00	B	metal	0,02	72 NBR 902	B1FUD	335973	●
35,00	62,00	8,00	C	metal	up to 1 MPa	PTFE F56101	B2PT	406699	●
35,00	62,00	8,00	AS	smooth	0,05	72 NBR 902	BAUSLX2	477145	●
35,00	62,00	8,00	AS	smooth	0,05	75 FKM 585	BAUMSL	477146	●
35,00	62,00	8,00	-	smooth	0,05	72 NBR 902	MSS 1	525414	●
35,00	62,00	8,00	-	smooth	0,05	75 FKM 585	MSS 1	525445	●
35,00	62,00	8,00	-	smooth	0,05	72 NBR 902	MSS 7	477277	●
35,00	62,00	9,00	C	metal	0,02	72 NBR 902	B2FUD	335998	●
35,00	62,00	10,00	B	metal	0,02	72 NBR 902	B1FUD	335974	●
35,00	62,00	10,00	C	metal	0,02	72 NBR 902	B2FUD	335997	●
35,00	62,00	10,00	A	grooved	0,02	72 NBR 902	BAFUDX7	355435	●
35,00	62,00	10,00	AS	grooved	0,05	72 NBR 902	BAUSLX27	49001657	●
35,00	62,00	10,00	A	smooth	0,05	72 NBR 902	BA	8049	●
35,00	62,00	12,00	B	metal	0,05	72 NBR 902	B1U	19772	●
35,00	62,00	12,00	B	metal	0,05	72 NBR 902	B1USL	20138	●
35,00	62,00	12,00	C	metal	0,02	72 NBR 902	B2FUD	335996	●
35,00	62,00	12,00	A	smooth	0,05	72 NBR 902	BAUSL	8055	●
35,00	62,00	14,00	A	smooth	0,05	75 FKM 595	BADUO	338716	○
35,00	62,00	14,00	A	smooth	0,05	72 NBR 902	BADUO	8058	○
35,00	65,00	10,00	C	metal	0,05	72 NBR 902	B2U	22983	●
35,00	65,00	10,00	A	smooth	0,05	72 NBR 902	BAUSL	396063	●
35,00	65,00	10,00	A	smooth	0,05	72 NBR 902	BA	8060	●
35,00	68,00	10,00	AS	smooth	0,05	72 NBR 902	BAUSLX2	522766	●

● Available from stock    ○ On request: Tool is available, delivery at short notice    \* → Diagram 2, page 18

d <sub>1</sub>	d <sub>2</sub>	b	DIN 3761	Outer surface	Pressure	Material	Type	Article No.	
35,00	70,00	12,00	C	metal	0,05	72 NBR 902	B2U	22985	●
35,00	72,00	7,00	A	grooved	0,05	75 FKM 585	BAUMX7	400466	●
35,00	72,00	7,00	A	grooved	0,02	72 NBR 902	BAFUDX7	407517	●
35,00	72,00	7,00	AS	smooth	0,05	75 FKM 585	BAUMSL	49012066	●
35,00	72,00	10,00	A	smooth	0,02	72 NBR 902	BAFUD	12010915	●
35,00	72,00	10,00	AS	smooth	0,02	72 NBR 902	BAFUDSL	12013421	●
35,00	72,00	10,00	A	smooth	0,05	72 NBR 902	BAUX2	49037523	●
35,00	72,00	10,00	AS	smooth	0,05	72 NBR 902	BAUSLX2	49037524	●
35,00	72,00	12,00	C	metal	0,02	72 NBR 902	B2FUD	334920	●
35,00	72,00	12,00	B	metal	0,02	72 NBR 902	B1FUD	334956	●
35,00	72,00	12,00	AS	smooth	0,05	72 NBR 902	BASL	35525	●
35,00	72,00	12,00	A	grooved	0,02	72 NBR 902	BAFUDX7	355478	●
35,00	80,00	10,00	AS	smooth	0,02	72 NBR 902	BAFUDSL	12000498	●
35,00	80,00	12,00	A	smooth	0,05	72 NBR 902	BAUX2	524507	●
35,00	80,00	13,00	C	metal	0,02	72 NBR 902	B2FUD	334921	●
35,00	80,00	13,00	A	smooth	0,05	75 FKM 585	BAUM	49012064	●
36,00	47,00	7,00	B	metal	0,05	72 NBR 902	B1	20250	●
36,00	47,00	7,00	A	smooth	0,05	72 NBR 902	BA	3441	●
36,00	47,00	7,00	A	grooved	0,05	75 FKM 585	BAUMX7	403084	●
36,00	50,00	7,00	B	metal	0,05	72 NBR 902	B1	31481	●
36,00	50,00	7,00	A	grooved	0,02	72 NBR 902	BAFUDX7	355476	●
36,00	50,00	7,00	AS	grooved	0,05	75 FKM 585	BAUMSLX7	410183	●
36,00	50,00	10,00	A	smooth	0,05	72 NBR 902	BA	8074	●
36,00	52,00	7,00	B	metal	0,05	72 NBR 902	B1U	19470	●
36,00	52,00	7,00	A	grooved	0,05	75 FKM 585	BAUMX7	410781	●
36,00	52,00	7,00	B	metal	0,05	72 NBR 902	B1U	424793	○
36,00	52,00	7,00	A	smooth	0,05	72 NBR 902	BAUX2	49009240	●
36,00	52,00	9,00	B	metal	0,05	72 NBR 902	B1	19471	●
36,00	52,00	9,00	C	metal	0,05	72 NBR 902	B2	2865	●
36,00	54,00	7,00	A	smooth	0,05	72 NBR 902	BAUX2	533282	●
36,00	56,00	10,00	C	metal	0,05	72 NBR 902	B2	22988	●
36,00	56,00	10,00	A	smooth	0,05	72 NBR 902	BAU	8083	●
36,00	56,00	12,00	C	metal	0,05	72 NBR 902	B2	22720	●
36,00	58,00	10,00	B	metal	0,05	72 NBR 902	B1	20316	●
36,00	62,00	7,00	AS	grooved	0,02	72 NBR 902	BAFUDSLX7	12014769	●
36,00	62,00	7,00	A	smooth	0,05	72 NBR 902	BA	18265	●
36,00	62,00	9,00	C	metal	0,05	72 NBR 902	B2	18224	●
36,00	62,00	10,00	C	metal	0,05	72 NBR 902	B2	22721	●
36,00	62,00	12,00	C	metal	0,05	72 NBR 902	B2	22991	●
36,00	68,00	10,00	AS	smooth	0,05	72 NBR 902	BAUSLX2	475374	●
36,00	72,00	12,00	C	metal	0,05	72 NBR 902	B2	22993	●
37,00	52,00	8,00	B	metal	0,05	75 FKM 595	B1USL	330557	○
37,00	52,00	8,00	A	smooth	0,05	72 NBR 902	BAU	8112	●
37,00	52,00	10,00	C	metal	0,05	72 NBR 902	B2U	20711	●
37,00	56,00	10,00	C	metal	0,05	72 NBR 902	B2	27478	●
37,00	58,00	13,00	C	metal	0,05	72 NBR 902	B2	23496	●
37,00	62,00	8,00	B	metal	0,05	72 NBR 902	B1U	425353	○
37,00	62,00	9,00	C	metal	0,05	72 NBR 902	B2U	22996	●
37,00	62,00	10,00	A	smooth	0,05	72 NBR 902	BA	8118	●
37,00	62,00	12,00	C	metal	0,05	72 NBR 902	B2	22997	○

● Available from stock    ○ On request: Tool is available, delivery at short notice    \* → Diagram 2, page 18

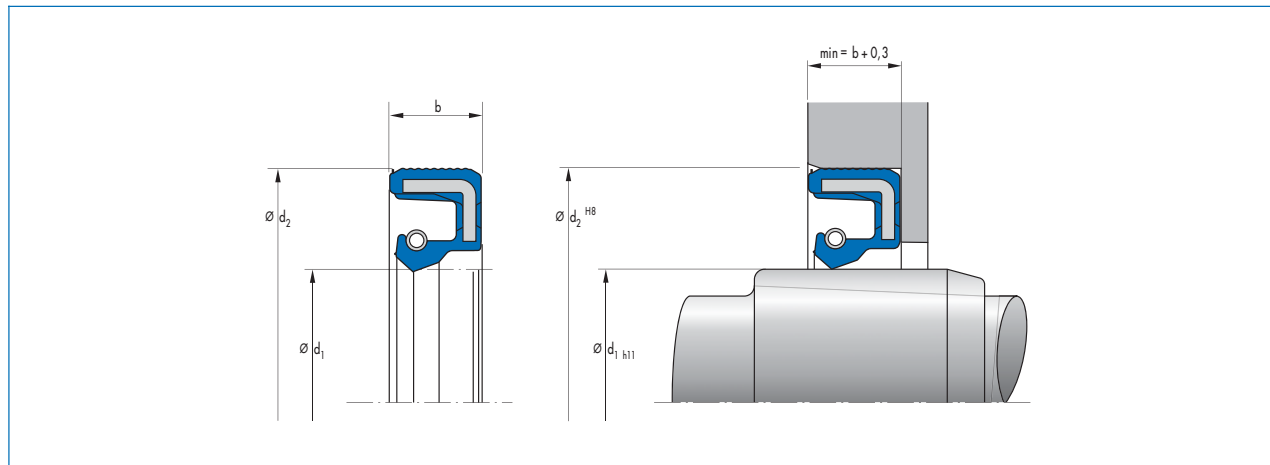


d <sub>1</sub>	d <sub>2</sub>	b	DIN 3761	Outer surface	Pressure	Material	Type	Article No.	
37,00	80,00	13,00	C	metal	0,05	72 NBR 902	B2U	22999	●
38,00	50,00	6,00	AS	smooth	*	72 NBR 902	BABSL	523552	●
38,00	50,00	7,00	B	metal	0,05	72 NBR 902	B1USL	20093	●
38,00	50,00	7,00	B	metal	0,05	72 NBR 902	B1U	20372	●
38,00	50,00	7,00	A	grooved	0,02	72 NBR 902	BAFUDX7	334309	●
38,00	50,00	7,00	A	grooved	0,05	75 FKM 585	BAUMX7	410782	●
38,00	52,00	7,00	B	metal	0,05	72 NBR 902	B1USL	13610	●
38,00	52,00	7,00	B	metal	0,02	72 NBR 902	B1FUD	334371	●
38,00	52,00	7,00	A	grooved	0,05	75 FKM 585	BAUMX7	402914	●
38,00	52,00	7,00	AS	grooved	0,05	75 FKM 585	BAUMSLX7	410184	●
38,00	52,00	7,00	AS	smooth	0,05	72 NBR 902	BAUSLX2	49002810	●
38,00	52,00	7,00	A	smooth	0,05	72 NBR 902	BAUX2	49008124	●
38,00	52,00	8,00	A	smooth	0,05	72 NBR 902	BAU	17193	●
38,00	52,00	10,00	B	metal	0,02	72 NBR 902	B1FUD	334689	●
38,00	52,00	10,00	A	smooth	0,05	72 NBR 902	BAU	8135	●
38,00	54,00	6,50	A	smooth	0,05	72 NBR 902	BA	8137	●
38,00	54,00	10,00	B	metal	0,05	72 NBR 902	B1	19782	●
38,00	54,00	10,00	A	smooth	0,05	72 NBR 902	BA	8141	●
38,00	55,00	4,50	A	metal	un-pressurised	80 NBR 177458	MSC 01	508529	●
38,00	55,00	4,50	A	metal	un-pressurised	80 FKM 177459	MSC 01	508577	●
38,00	55,00	7,00	B	metal	0,05	72 NBR 902	B1U	2507	●
38,00	55,00	7,00	A	grooved	0,05	75 FKM 585	BAUMX7	388816	●
38,00	55,00	7,00	A	smooth	0,05	72 NBR 902	BA	49002526	●
38,00	55,00	8,00	C	metal	up to 1 MPa	PTFE F56101	B2PT	406700	●
38,00	55,00	9,00	C	metal	0,05	72 NBR 902	B2U	2486	●
38,00	55,00	10,00	C	metal	0,05	72 NBR 902	B2U	23000	●
38,00	55,00	10,00	A	smooth	0,05	72 NBR 902	BA	356911	○
38,00	55,00	10,00	AS	grooved	0,05	75 FKM 585	BAUMSLX7	476382	●
38,00	55,00	10,00	A	smooth	0,05	72 NBR 902	BAU	8145	●
38,00	55,00	12,00	C	metal	0,05	72 NBR 902	B2U	23001	●
38,00	56,00	10,00	C	metal	0,05	72 NBR 902	B2U	23002	●
38,00	56,00	10,00	AS	grooved	0,05	75 FKM 585	BAUMSLX7	49042633	●
38,00	56,00	10,00	A	smooth	0,05	72 NBR 902	BA	8150	●
38,00	56,00	12,00	B	metal	0,05	72 NBR 902	B1	19785	●
38,00	56,00	12,00	C	metal	0,05	72 NBR 902	B2	23003	●
38,00	58,00	10,00	A	smooth	0,05	72 NBR 902	BA	8151	●

● Available from stock    ○ On request: Tool is available, delivery at short notice    \* → Diagram 2, page 18

d <sub>1</sub>	d <sub>2</sub>	b	DIN 3761	Outer surface	Pressure	Material	Type	Article No.	
38,00	60,00	7,00	A	grooved	0,05	75 FKM 585	BAUMX7	410783	●
38,00	60,00	10,00	C	metal	0,05	72 NBR 902	B2	23004	○
38,00	60,00	10,00	A	smooth	0,05	72 NBR 902	BAU	8153	●
38,00	62,00	7,00	A	smooth	0,05	72 NBR 902	BAU	13052	●
38,00	62,00	7,00	B	metal	0,02	72 NBR 902	B1FUD	334957	●
38,00	62,00	7,00	A	grooved	0,05	75 FKM 585	BAUMX7	400528	●
38,00	62,00	7,00	AS	grooved	0,05	75 FKM 585	BAUMSLX7	407134	●
38,00	62,00	9,00	C	metal	0,02	72 NBR 902	B2FUD	334922	●
38,00	62,00	10,00	C	metal	0,02	72 NBR 902	B2FUD	334923	●
38,00	62,00	10,00	A	smooth	0,05	72 NBR 902	BAU	8156	●
38,00	62,00	12,00	B	metal	0,02	72 NBR 902	B1FUD	334274	●
38,00	62,00	12,00	C	metal	0,02	72 NBR 902	B2FUD	334924	●
38,00	62,00	12,00	A	smooth	0,05	72 NBR 902	BA	8162	●
38,00	65,00	10,00	C	metal	0,05	72 NBR 902	B2	23008	●
38,00	65,00	10,00	A	smooth	0,05	72 NBR 902	BAUSL	325682	●
38,00	65,00	10,00	A	smooth	0,05	72 NBR 902	BA	8165	●
38,00	72,00	10,00	A	smooth	0,02	72 NBR 902	BAFUD	523550	●
38,00	72,00	12,00	C	metal	0,05	72 NBR 902	B2U	23012	●
38,00	72,00	12,00	A	smooth	0,05	72 NBR 902	BAU	302909	●
38,00	74,00	10,00	A	smooth	0,05	72 NBR 902	BAUSL	8167	●
38,00	80,00	12,00	A	smooth	0,05	72 NBR 902	BA	8169	●
38,00	90,00	12,00	A	grooved	0,05	72 NBR 902	BAUX27	453161	●
38,10	57,15	7,93	AS	smooth	*	72 NBR 902	BABSL	64843	●
38,10	57,15	9,50	B	metal	0,05	72 NBR 902	B1U	19476	●
39,00	52,00	6,50	B	metal	0,05	72 NBR 902	B1	7990	●
39,00	52,00	6,50	A	smooth	0,05	72 NBR 902	BA	8188	●
39,00	55,50	9,00	B	metal	0,05	72 NBR 902	B1U	19480	●
39,00	62,00	12,00	C	metal	0,05	72 NBR 902	B2	23016	●
40,00	47,00	4,00	B	metal	un-pressurised	72 NBR 902	B1OF	344693	●
40,00	47,00	4,00	BS	metal	0,05	72 NBR 902	B1USLX2	49005636	○
40,00	50,00	7,00	A	smooth	0,05	72 NBR 902	BAUX2	475178	●
40,00	52,00	6,00	A	grooved	0,02	72 NBR 902	BAFUDX7	334824	●
40,00	52,00	7,00	A	smooth	0,05	72 NBR 902	BAU	13255	○
40,00	52,00	7,00	B	metal	0,05	72 NBR 902	B1USL	20306	●
40,00	52,00	7,00	A	smooth	0,05	75 FKM 595	BAUM	30678	○
40,00	52,00	7,00	A	smooth	0,05	75 FKM 595	BAUM	310039	○
40,00	52,00	7,00	AS	smooth	*	72 NBR 902	BABSL	328911	●
40,00	52,00	7,00	B	metal	0,02	72 NBR 902	B1FUD	334276	●
40,00	52,00	7,00	BS	metal	0,02	72 NBR 902	B1FUDSL	355635	●
40,00	52,00	7,00	A	grooved	0,02	72 NBR 902	BAFUDX7	355639	●
40,00	52,00	7,00	A	grooved	0,05	75 FKM 585	BAUMX7	388077	●
40,00	52,00	7,00	A	smooth	0,05	72 NBR 902	BAUX2	49032729	●
40,00	52,00	7,00	AS	grooved	0,05	75 FKM 585	BAUMSLX7	521007	●
40,00	52,00	7,00	AS	smooth	0,05	72 NBR 902	BAUSLX2	525281	●
40,00	52,00	7,00	A	smooth	0,05	72 NBR 902	BAUX2	530339	○
40,00	52,00	7,00	AS	smooth	0,05	72 NBR 902	BASL	8222	●
40,00	52,00	8,00	C	metal	up to 1 MPa	PTFE F56101	B2PT	406701	●
40,00	52,00	8,00	A	smooth	0,05	72 NBR 902	BA	8226	●
40,00	52,00	12,00	B	metal	0,05	72 NBR 902	B1	21706	●
40,00	55,00	6,00	AS	smooth	*	75 FKM 595	BABSL	329337	○

● Available from stock    ○ On request: Tool is available, delivery at short notice    \* → Diagram 2, page 18

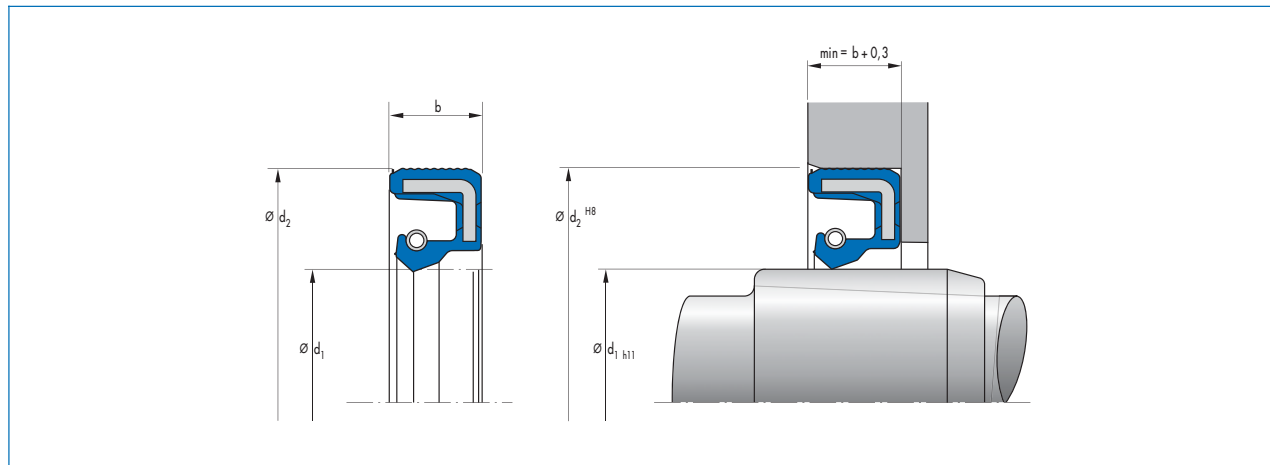


d <sub>1</sub>	d <sub>2</sub>	b	DIN 3761	Outer surface	Pressure	Material	Type	Article No.	
40,00	55,00	6,00	AS	smooth	*	72 NBR 902	BABSL	383444	●
40,00	55,00	6,00	AS	smooth	*	75 FKM 595	BABSL	479064	●
40,00	55,00	6,00	AS	smooth	*	72 NBR 902	BABSL	49034624	●
40,00	55,00	6,00	AS	smooth	*	75 FKM 595	BABSL	49035486	●
40,00	55,00	7,00	B	metal	0,02	72 NBR 902	B1FUD	334372	●
40,00	55,00	7,00	A	grooved	0,05	75 FKM 585	BAUMX7	388060	●
40,00	55,00	7,00	AS	grooved	0,05	75 FKM 585	BAUMSLX7	407135	●
40,00	55,00	7,00	A	smooth	0,05	72 NBR 902	BAUX2	478753	●
40,00	55,00	7,00	AS	smooth	0,05	72 NBR 902	BAUSLX2	524462	●
40,00	55,00	7,00	A	grooved	0,05	75 FKM 585	BAUMX7	528162	○
40,00	55,00	7,00	A	smooth	0,05	72 NBR 902	BAUX2	529478	○
40,00	55,00	8,00	B	metal	0,05	72 NBR 902	B1	19483	●
40,00	55,00	8,00	C	metal	up to 1 MPa	PTFE F56101	B2PT	406702	●
40,00	55,00	8,00	A	grooved	0,02	72 NBR 902	BAFUDX7	423373	●
40,00	55,00	8,00	AS	smooth	0,05	72 NBR 902	BAUSLX2	529404	●
40,00	55,00	9,00	B	metal	0,05	72 NBR 902	B1USL	126187	●
40,00	55,00	9,00	C	metal	0,02	72 NBR 902	B2FUD	334363	●
40,00	55,00	10,00	B	metal	0,02	72 NBR 902	B1FUD	334658	●
40,00	55,00	10,00	A	smooth	0,05	72 NBR 902	BAU	8234	●
40,00	55,00	10,00	AS	smooth	0,05	72 NBR 902	BASL	8235	●
40,00	55,00	12,00	C	metal	0,02	72 NBR 902	B2FUD	334687	●
40,00	55,00	12,00	A	smooth	0,05	72 NBR 902	BA	8239	●
40,00	55,50	9,00	B	metal	0,05	72 NBR 902	B1U	19484	●
40,00	56,00	6,00	AS	smooth	*	72 NBR 902	BABSL	12001693	●
40,00	56,00	8,00	A	smooth	0,02	72 NBR 902	BAFUD	12010933	●
40,00	56,00	8,00	AS	smooth	0,02	72 NBR 902	BAFUDSL	12011577	●
40,00	56,00	10,00	B	metal	0,05	72 NBR 902	B1U	19790	●
40,00	56,00	10,00	C	metal	0,05	72 NBR 902	B2U	22725	●
40,00	56,00	10,00	A	smooth	0,05	72 NBR 902	BAU	8249	●
40,00	56,00	12,00	C	metal	0,05	72 NBR 902	B2U	22726	●
40,00	57,00	4,50	A	metal	un-pressurised	80 NBR 177458	MSC 01	508530	●
40,00	57,00	4,50	A	metal	un-pressurised	80 FKM 177459	MSC 01	508578	●
40,00	58,00	6,50	A	metal	un-pressurised	80 FKM 177459	MSC 02	508610	●
40,00	58,00	6,50	A	metal	un-pressurised	80 NBR 177458	MSC 02	508634	●
40,00	58,00	8,00	AS	smooth	*	72 NBR 902	BABSL	411826	●
40,00	58,00	9,00	B	metal	0,05	72 NBR 902	B1U	19486	●

● Available from stock    ○ On request: Tool is available, delivery at short notice    \* → Diagram 2, page 18

d <sub>1</sub>	d <sub>2</sub>	b	DIN 3761	Outer surface	Pressure	Material	Type	Article No.	
40,00	58,00	9,00	B	metal	0,05	72 NBR 902	B1USL	20095	●
40,00	58,00	9,00	AS	grooved	0,02	72 NBR 902	BAFUDSLX7	355477	●
40,00	58,00	9,00	AS	grooved	0,05	75 FKM 585	BAUMSLX7	418363	●
40,00	58,00	10,00	C	metal	0,05	72 NBR 902	B2U	39660	●
40,00	58,00	12,00	A	smooth	0,05	72 NBR 902	BAU	8254	●
40,00	60,00	8,00	C	metal	up to 1 MPa	PTFE F56101	B2PT	406713	●
40,00	60,00	10,00	C	metal	0,05	72 NBR 902	B2U	23019	●
40,00	60,00	10,00	CS	metal	0,05	72 NBR 902	B2SL	23632	●
40,00	60,00	10,00	B	metal	0,05	72 NBR 902	B1U	31466	●
40,00	60,00	10,00	A	grooved	0,02	72 NBR 902	BAFUDX7	334311	●
40,00	60,00	10,00	A	grooved	0,05	75 FKM 585	BAUMX7	402487	●
40,00	60,00	10,00	AS	smooth	0,05	72 NBR 902	BAUSLX2	49023925	●
40,00	60,00	12,00	A	smooth	0,05	75 FKM 595	BAUM	129960	○
40,00	60,00	12,00	B	metal	0,05	72 NBR 902	B1	19792	●
40,00	60,00	12,00	C	metal	0,05	72 NBR 902	B2U	23020	●
40,00	62,00	6,00	AS	smooth	*	72 NBR 902	BABSL	3018	●
40,00	62,00	6,00	AS	smooth	*	72 NBR 902	BABSL	49001831	○
40,00	62,00	6,00	AS	smooth	*	75 FKM 595	BABSL	528295	●
40,00	62,00	7,00	B	metal	0,02	72 NBR 902	B1FUD	334383	●
40,00	62,00	7,00	A	grooved	0,05	75 FKM 585	BAUMX7	388076	●
40,00	62,00	7,00	AS	grooved	0,05	75 FKM 585	BAUMSLX7	410185	●
40,00	62,00	7,00	A	smooth	0,05	72 NBR 902	BAUX2	478752	●
40,00	62,00	7,00	AS	smooth	0,05	72 NBR 902	BAUSLX2	478770	●
40,00	62,00	8,00	C	metal	up to 1 MPa	PTFE F56101	B2PT	406715	●
40,00	62,00	8,00	AS	smooth	0,05	72 NBR 902	BAUSLX2	477523	●
40,00	62,00	9,00	C	metal	0,02	72 NBR 902	B2FUD	334354	●
40,00	62,00	9,00	CS	metal	0,05	72 NBR 902	B2USL	34896	●
40,00	62,00	10,00	B	metal	0,05	72 NBR 902	B1USL	20142	●
40,00	62,00	10,00	B	metal	0,02	72 NBR 902	B1FUD	334385	●
40,00	62,00	10,00	C	metal	0,02	72 NBR 902	B2FUD	334684	●
40,00	62,00	10,00	AS	smooth	0,05	72 NBR 902	BAUSLX2	49023829	●
40,00	62,00	10,00	A	smooth	0,05	72 NBR 902	BAUX2	531174	●
40,00	62,00	10,00	A	smooth	0,05	72 NBR 902	BA	8279	●
40,00	62,00	12,00	BS	metal	0,05	72 NBR 902	B1SL	20143	●
40,00	62,00	12,00	B	metal	0,02	72 NBR 902	B1FUD	334669	●
40,00	62,00	12,00	C	metal	0,02	72 NBR 902	B2FUD	334670	●
40,00	62,00	12,00	A	smooth	0,05	72 NBR 902	BAU	8286	●
40,00	63,50	9,50	B	metal	0,05	72 NBR 902	B1U	19487	○
40,00	65,00	10,00	B	metal	0,05	72 NBR 902	B1U	19795	●
40,00	65,00	10,00	C	metal	0,05	72 NBR 902	B2	23023	●
40,00	65,00	10,00	A	grooved	0,02	72 NBR 902	BAFUDX7	355482	●
40,00	65,00	10,00	AS	smooth	0,05	72 NBR 902	BASL	39765	●
40,00	65,00	12,00	B	metal	0,05	72 NBR 902	B1U	19796	●
40,00	65,00	12,00	C	metal	0,05	72 NBR 902	B2U	23024	●
40,00	65,00	12,00	CS	metal	0,05	72 NBR 902	B2USL	23446	●
40,00	65,00	12,00	A	smooth	0,05	72 NBR 902	BA	8298	●
40,00	65,00	20,00	A	smooth	0,05	72 NBR 902	BADUO	8300	○
40,00	67,00	7,00	AS	smooth	*	75 FKM 595	BABSL	526418	○
40,00	68,00	6,00	AS	smooth	0,05	72 NBR 902	BAUSLX2	529094	●
40,00	68,00	6,00	AS	smooth	0,05	75 FKM 585	BAUMSL	529095	●

● Available from stock    ○ On request: Tool is available, delivery at short notice    \* → Diagram 2, page 18



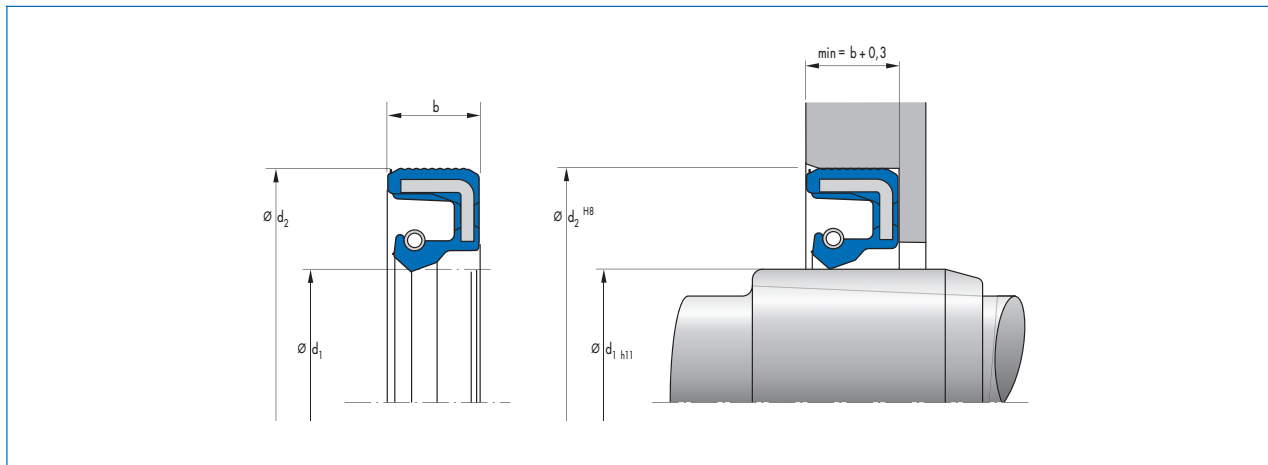
d <sub>1</sub>	d <sub>2</sub>	b	DIN 3761	Outer surface	Pressure	Material	Type	Article No.	
40,00	68,00	7,00	B	metal	0,05	72 NBR 902	B1U	21687	●
40,00	68,00	7,00	B	metal	0,05	72 NBR 902	B1U	49043563	●
40,00	68,00	8,00	AS	grooved	0,05	75 FKM 585	BAUMSLX7	477665	●
40,00	68,00	8,00	AS	smooth	0,05	72 NBR 902	BAUSLX2	49001661	●
40,00	68,00	8,00	A	smooth	0,05	72 NBR 902	BAUX2	49001672	●
40,00	68,00	8,00	A	grooved	0,05	75 FKM 585	BAUMX7	49012132	●
40,00	68,00	8,00	AS	smooth	0,05	72 NBR 902	BAUSLX2	49029022	●
40,00	68,00	10,00	A	smooth	0,05	72 NBR 902	BAUX2	524498	●
40,00	68,00	10,00	-	smooth	0,05	72 NBR 902	MSS 1	49028784	●
40,00	68,00	12,00	B	metal	0,05	72 NBR 902	B1	19797	●
40,00	68,00	12,00	C	metal	0,05	72 NBR 902	B2	23025	●
40,00	70,00	8,00	A	smooth	0,05	72 NBR 902	BA	8304	●
40,00	70,00	10,00	A	smooth	0,05	72 NBR 902	BA	8307	●
40,00	70,00	12,00	C	metal	0,05	72 NBR 902	B2	23026	●
40,00	72,00	7,00	B	metal	0,05	72 NBR 902	B1	2567	●
40,00	72,00	7,00	A	grooved	0,05	75 FKM 585	BAUMX7	400807	●
40,00	72,00	7,00	AS	smooth	0,05	72 NBR 902	BAUSLX2	478772	●
40,00	72,00	7,00	A	smooth	0,02	72 NBR 902	BAFUD	49001652	●
40,00	72,00	7,00	A	smooth	0,05	72 NBR 902	BAUX2	49037526	●
40,00	72,00	9,00	C	metal	0,05	72 NBR 902	B2	9548	●
40,00	72,00	10,00	C	metal	0,05	72 NBR 902	B2U	23027	●
40,00	72,00	10,00	AS	smooth	0,05	72 NBR 902	BAUSLX2	477144	●
40,00	72,00	10,00	AS	smooth	0,05	75 FKM 585	BAUMSL	477147	●
40,00	72,00	10,00	A	smooth	0,05	72 NBR 902	BA	8310	●
40,00	72,00	12,00	B	metal	0,05	72 NBR 902	B1	19801	●
40,00	72,00	12,00	C	metal	0,05	72 NBR 902	B2U	23028	●
40,00	72,00	12,00	A	smooth	0,05	72 NBR 902	BAU	8312	●
40,00	80,00	7,00	AS	smooth	0,05	72 NBR 902	BAUSLX2	49004252	●
40,00	80,00	7,00	AS	smooth	0,05	75 FKM 585	BAUMSL	49011968	●
40,00	80,00	10,00	A	grooved	0,02	72 NBR 902	BAFUDX7	355479	●
40,00	80,00	10,00	AS	smooth	0,05	75 FKM 585	BAUMSL	455618	●
40,00	80,00	10,00	AS	smooth	0,05	72 NBR 902	BAUSLX2	455619	●
40,00	80,00	10,00	A	smooth	0,05	72 NBR 902	BAUX2	49037525	●
40,00	80,00	10,00	-	smooth	0,05	72 NBR 902	MSS 1	525350	●
40,00	80,00	12,00	AS	smooth	0,02	72 NBR 902	BAFUDSL	12011162	●
40,00	80,00	13,00	C	metal	0,05	72 NBR 902	B2U	23030	●

● Available from stock    ○ On request: Tool is available, delivery at short notice    \* → Diagram 2, page 18



d <sub>1</sub>	d <sub>2</sub>	b	DIN 3761	Outer surface	Pressure	Material	Type	Article No.	
40,00	80,00	13,00	A	smooth	0,05	72 NBR 902	BA	8318	○
40,00	85,00	10,00	A	grooved	0,05	75 FKM 585	BAUMX7	474893	●
40,00	85,00	10,00	A	smooth	0,05	72 NBR 902	BAUX2	523393	●
40,00	85,00	10,00	AS	smooth	0,05	72 NBR 902	BAUSLX2	523394	●
40,00	90,00	8,00	AS	smooth	0,02	72 NBR 902	BAFUDSL	12012533	●
40,00	90,00	10,00	A	grooved	0,02	72 NBR 902	BAFUDX7	407521	●
40,00	90,00	10,00	A	smooth	0,05	72 NBR 902	BAUX2	49037527	●
40,00	90,00	10,00	AS	smooth	0,05	75 FKM 585	BAUMSL	520956	●
40,00	90,00	10,00	AS	smooth	0,05	72 NBR 902	BAUSLX2	520957	●
40,00	90,00	12,00	AS	grooved	0,02	72 NBR 902	BAFUDSLX7	407522	●
41,00	56,00	10,00	A	smooth	0,05	72 NBR 902	BA	153820	●
41,00	57,00	4,50	A	metal	un-pressurised	80 NBR 177458	MSC 01	508531	●
41,00	57,00	4,50	A	metal	un-pressurised	80 FKM 177459	MSC 01	508579	●
41,00	62,00	10,00	C	metal	0,05	72 NBR 902	B2U	23031	●
42,00	55,00	7,00	B	metal	0,05	72 NBR 902	B1U	19491	●
42,00	55,00	7,00	A	smooth	0,05	72 NBR 902	BAUX2	49031451	●
42,00	55,00	7,00	A	smooth	0,05	72 NBR 902	BAU	8342	●
42,00	55,00	8,00	B	metal	0,05	72 NBR 902	B1U	13997	●
42,00	55,00	8,00	AS	grooved	0,05	75 FKM 585	BAUMSLX7	404322	●
42,00	55,00	8,00	C	metal	up to 1 MPa	PTFE F56101	B2PT	406716	●
42,00	55,00	8,00	AS	grooved	0,02	72 NBR 902	BAFUDSLX7	407523	●
42,00	55,00	8,00	A	smooth	0,05	72 NBR 902	BAUX2	530818	●
42,00	55,00	10,00	BS	metal	0,05	72 NBR 902	B1SL	29870	●
42,00	56,00	7,00	A	smooth	0,05	72 NBR 902	BAUSL	121799	●
42,00	56,00	7,00	A	grooved	0,02	72 NBR 902	BAFUDX7	334313	●
42,00	56,00	7,00	A	smooth	0,05	72 NBR 902	BAU	523558	●
42,00	56,00	7,00	B	metal	0,05	72 NBR 902	B1	7994	●
42,00	58,00	9,00	B	metal	0,05	72 NBR 902	B1	19494	●
42,00	59,00	4,50	A	metal	un-pressurised	80 NBR 177458	MSC 01	508532	●
42,00	59,00	4,50	A	metal	un-pressurised	80 FKM 177459	MSC 01	508580	●
42,00	60,00	10,00	B	metal	0,05	72 NBR 902	B1U	19804	●
42,00	60,00	10,00	C	metal	0,05	72 NBR 902	B2U	22728	●
42,00	60,00	10,00	A	smooth	0,05	72 NBR 902	BA	8356	●
42,00	60,00	12,00	C	metal	0,05	72 NBR 902	B2U	23034	●
42,00	62,00	7,00	B	metal	0,05	72 NBR 902	B1U	19495	●
42,00	62,00	7,00	AS	smooth	*	75 FKM 585	BABSL	348515	●
42,00	62,00	7,00	AS	smooth	*	72 NBR 902	BABSL	383616	●
42,00	62,00	7,00	BS	metal	0,05	72 NBR 902	B1SL	4004	●
42,00	62,00	8,00	AS	smooth	0,02	72 NBR 902	BAFUDSL	12011163	●
42,00	62,00	8,00	B	metal	0,05	72 NBR 902	B1U	14004	●
42,00	62,00	8,00	A	grooved	0,05	75 FKM 585	BAUMX7	388822	●
42,00	62,00	8,00	C	metal	up to 1 MPa	PTFE F56101	B2PT	415465	○
42,00	62,00	8,00	B	metal	0,05	72 NBR 902	B1U	427798	○
42,00	62,00	8,00	A	smooth	0,05	72 NBR 902	BAUX2	478766	●
42,00	62,00	8,00	AS	grooved	0,05	75 FKM 585	BAUMSLX7	524291	●
42,00	62,00	10,00	B	metal	0,05	72 NBR 902	B1U	19806	●
42,00	62,00	10,00	CS	metal	0,05	72 NBR 902	B2USL	20700	●
42,00	62,00	10,00	C	metal	0,05	72 NBR 902	B2U	22729	●
42,00	62,00	10,00	A	smooth	0,05	72 NBR 902	BAU	8363	●
42,00	62,00	12,00	B	metal	0,05	72 NBR 902	B1U	19807	●

● Available from stock    ○ On request: Tool is available, delivery at short notice    \* → Diagram 2, page 18

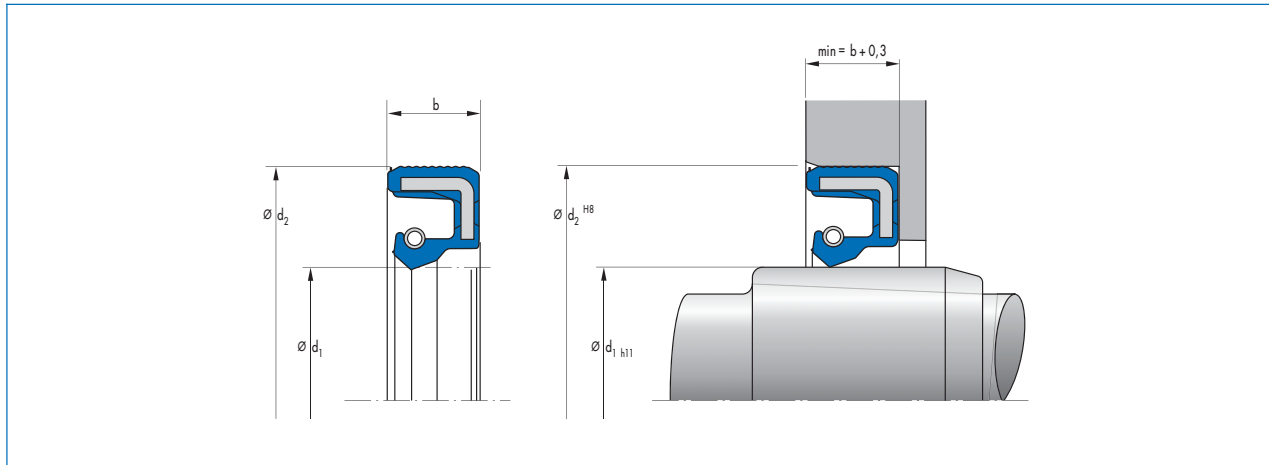


d <sub>1</sub>	d <sub>2</sub>	b	DIN 3761	Outer surface	Pressure	Material	Type	Article No.	
42,00	62,00	12,00	C	metal	0,05	72 NBR 902	B2U	23035	●
42,00	62,00	12,00	B	metal	0,05	72 NBR 902	B1USL	31467	●
42,00	62,00	12,00	A	smooth	0,05	72 NBR 902	BA	8367	●
42,00	65,00	10,00	B	metal	0,05	72 NBR 902	B1U	19810	●
42,00	65,00	10,00	C	metal	0,05	72 NBR 902	B2U	23036	●
42,00	65,00	10,00	A	grooved	0,05	75 FKM 585	BAUMX7	389459	●
42,00	65,00	10,00	AS	grooved	0,02	72 NBR 902	BAFUDSLX7	466342	●
42,00	65,00	10,00	A	smooth	0,05	72 NBR 902	BA	8373	●
42,00	65,00	12,00	B	metal	0,05	72 NBR 902	B1U	19811	●
42,00	65,00	12,00	C	metal	0,05	72 NBR 902	B2U	23037	●
42,00	66,00	13,00	C	metal	0,05	72 NBR 902	B2	23038	●
42,00	68,00	8,00	A	grooved	0,05	75 FKM 585	BAUMX7	407044	●
42,00	68,00	10,00	C	metal	0,05	72 NBR 902	B2U	49011583	●
42,00	70,00	12,00	C	metal	0,05	72 NBR 902	B2	23039	●
42,00	72,00	8,00	B	metal	0,02	72 NBR 902	B1FUD	334958	●
42,00	72,00	8,00	A	grooved	0,05	75 FKM 585	BAUMX7	411519	●
42,00	72,00	8,00	AS	smooth	0,05	72 NBR 902	BAUSLX2	475175	●
42,00	72,00	8,00	AS	grooved	0,05	75 FKM 585	BAUMSLX7	477669	●
42,00	72,00	8,00	A	smooth	0,05	72 NBR 902	BAUX2	49001667	●
42,00	72,00	10,00	C	metal	0,02	72 NBR 902	B2FUD	334925	●
42,00	72,00	10,00	AS	grooved	0,05	72 NBR 902	BAUSLX27	450733	●
42,00	72,00	10,00	A	smooth	0,05	72 NBR 902	BAU	8381	●
42,00	72,00	12,00	C	metal	0,02	72 NBR 902	B2FUD	334926	●
42,00	72,00	12,00	B	metal	0,02	72 NBR 902	B1FUD	334959	●
42,00	80,00	13,00	C	metal	0,05	72 NBR 902	B2	23041	●
42,86	59,13	12,70	B	metal	un-pressurised	72 NBR 902	B1FOF	399289	○
43,00	58,00	7,50	B	metal	0,05	72 NBR 902	B1U	21189	●
43,00	58,00	7,50	B	metal	0,05	72 NBR 902	B1U	426412	○
43,00	60,00	10,00	C	metal	0,05	72 NBR 902	B2	22732	●
43,00	60,00	10,00	A	smooth	0,05	72 NBR 902	BA	8393	●
43,00	62,00	10,00	C	metal	0,05	72 NBR 902	B2U	22733	●
43,00	63,50	9,50	B	metal	0,05	72 NBR 902	B1U	19500	●
43,00	72,00	10,00	C	metal	0,05	72 NBR 902	B2	22734	●
44,00	58,40	10,00	A	smooth	0,05	72 NBR 902	BAU	347394	●
44,00	60,00	10,00	C	metal	0,05	72 NBR 902	B2U	22735	●
44,00	60,00	10,00	A	smooth	0,05	72 NBR 902	BAU	8406	●

● Available from stock    ○ On request: Tool is available, delivery at short notice    \* → Diagram 2, page 18

d <sub>1</sub>	d <sub>2</sub>	b	DIN 3761	Outer surface	Pressure	Material	Type	Article No.	
44,00	62,00	10,00	C	metal	0,05	72 NBR 902	B2U	23043	●
44,00	62,00	10,00	A	smooth	0,05	72 NBR 902	BA	8408	●
44,00	62,00	12,00	C	metal	0,05	72 NBR 902	B2U	23044	●
44,00	65,00	8,00	A	grooved	0,05	75 FKM 585	BAUMX7	411520	●
44,00	65,00	10,00	B	metal	0,05	72 NBR 902	B1	19815	●
44,00	65,00	10,00	C	metal	0,05	72 NBR 902	B2U	22736	●
44,00	65,00	10,00	A	smooth	0,05	72 NBR 902	BA	8414	●
44,00	70,00	12,00	C	metal	0,05	72 NBR 902	B2U	23046	●
44,00	72,00	10,00	A	smooth	0,05	72 NBR 902	BA	8420	●
44,00	72,00	12,00	C	metal	0,05	72 NBR 902	B2	23047	●
44,00	80,00	13,00	A	smooth	0,05	72 NBR 902	BAU	146270	●
44,45	63,50	7,94	B	metal	0,05	72 NBR 902	B1U	3520	●
45,00	52,00	4,00	B	metal	un-pressurised	72 NBR 902	B1OF	377784	●
45,00	55,00	7,00	B	metal	0,02	72 NBR 902	B1FUD	334386	●
45,00	55,00	7,00	A	grooved	0,05	72 NBR 902	BAUX27	453162	●
45,00	55,00	7,00	A	smooth	0,05	72 NBR 902	BAUX2	49022656	●
45,00	55,00	7,00	AS	grooved	0,05	72 NBR 902	BAUSLX27	533201	●
45,00	58,00	7,00	AS	smooth	0,02	72 NBR 902	BAFUDSL	12013433	●
45,00	58,00	7,00	AS	smooth	*	72 NBR 902	BABSL	366368	●
45,00	58,00	7,00	A	smooth	0,05	72 NBR 902	BA	8442	●
45,00	60,00	6,00	B	metal	0,05	72 NBR 902	B1USL	102203	○
45,00	60,00	7,00	A	smooth	0,05	75 FKM 595	BAUM	121905	○
45,00	60,00	7,00	A	grooved	0,02	72 NBR 902	BAFUDX7	334830	○
45,00	60,00	7,00	B	metal	0,02	72 NBR 902	B1FUD	335101	●
45,00	60,00	7,00	BS	metal	0,02	72 NBR 902	B1FUDSL	335102	●
45,00	60,00	7,00	AS	smooth	0,05	72 NBR 902	BAUSLX2	478771	●
45,00	60,00	7,00	A	grooved	0,02	72 NBR 902	BAFUDX7	532621	●
45,00	60,00	7,00	A	smooth	0,05	72 NBR 902	BA	8447	●
45,00	60,00	8,00	AS	smooth	0,02	72 NBR 902	BAFUDSL	12011165	●
45,00	60,00	8,00	CS	metal	0,05	72 NBR 902	B2USL	23427	●
45,00	60,00	8,00	B	metal	0,02	72 NBR 902	B1FUD	334384	●
45,00	60,00	8,00	A	grooved	0,05	75 FKM 585	BAUMX7	397330	●
45,00	60,00	8,00	C	metal	up to 1 MPa	PTFE F56101	B2PT	406717	●
45,00	60,00	8,00	AS	grooved	0,05	75 FKM 585	BAUMSLX7	407136	●
45,00	60,00	8,00	A	smooth	0,05	72 NBR 902	BAUX2	524652	●
45,00	60,00	10,00	B	metal	0,05	72 NBR 902	B1U	19821	○
45,00	60,00	10,00	B	metal	0,02	72 NBR 902	B1FUD	334679	●
45,00	60,00	10,00	C	metal	0,02	72 NBR 902	B2FUD	334682	●
45,00	60,00	10,00	A	smooth	0,05	72 NBR 902	BAU	8454	●
45,00	60,00	12,00	C	metal	0,02	72 NBR 902	B2FUD	334681	●
45,00	62,00	4,50	A	metal	un-pressurised	80 NBR 177458	MSC 01	508533	●
45,00	62,00	4,50	A	metal	un-pressurised	80 FKM 177459	MSC 01	508581	●
45,00	62,00	7,00	B	metal	0,05	72 NBR 902	B1	19504	●
45,00	62,00	7,00	A	grooved	0,02	72 NBR 902	BAFUDX7	334314	●
45,00	62,00	7,00	AS	smooth	*	72 NBR 902	BABSL	348882	●
45,00	62,00	7,00	AS	smooth	*	75 FKM 595	BABSL	418708	●
45,00	62,00	7,00	A	smooth	0,05	72 NBR 902	BAUX2	49028673	●
45,00	62,00	7,00	A	grooved	0,05	75 FKM 585	BAUMX7	522386	●
45,00	62,00	7,50	AS	smooth	0,05	72 NBR 902	BASL	8461	●
45,00	62,00	8,00	B	metal	0,05	72 NBR 902	B1U	2499	●

● Available from stock    ○ On request: Tool is available, delivery at short notice    \* → Diagram 2, page 18

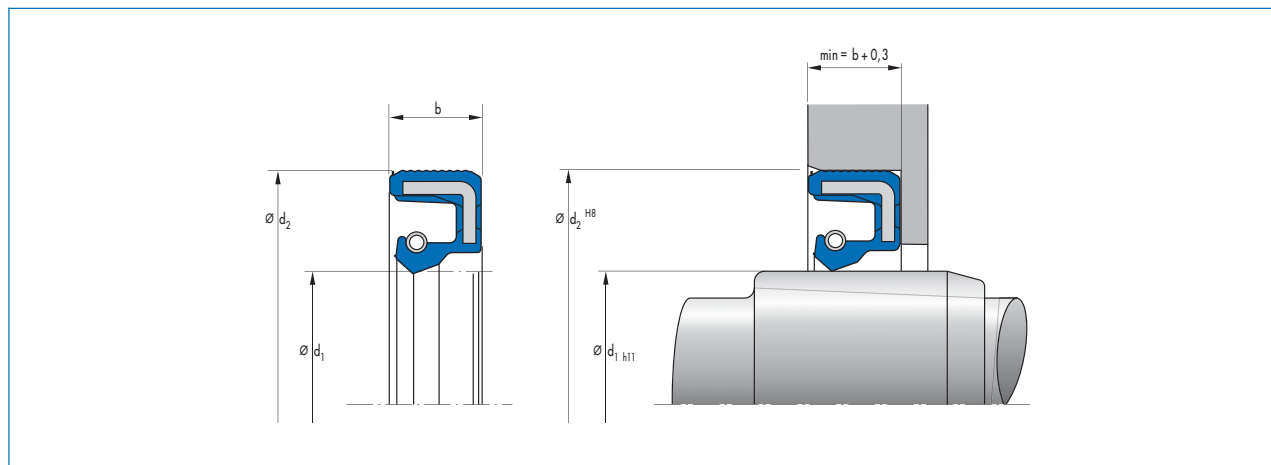


d <sub>1</sub>	d <sub>2</sub>	b	DIN 3761	Outer surface	Pressure	Material	Type	Article No.	
45,00	62,00	8,00	A	grooved	0,05	75 FKM 585	BAUMX7	388081	●
45,00	62,00	8,00	C	metal	up to 1 MPa	PTFE F56101	B2PT	406789	●
45,00	62,00	8,00	B	metal	0,05	72 NBR 902	B1USL	523595	●
45,00	62,00	8,00	A	smooth	0,05	72 NBR 902	BAUX2	526947	●
45,00	62,00	8,00	AS	smooth	0,05	72 NBR 902	BAUSLX2	529403	●
45,00	62,00	8,00	C	metal	up to 1 MPa	PTFE F56101	B2PT	529449	○
45,00	62,00	10,00	B	metal	0,05	72 NBR 902	B1U	19822	●
45,00	62,00	10,00	C	metal	0,05	72 NBR 902	B2U	23048	●
45,00	62,00	10,00	A	grooved	0,02	72 NBR 902	BAFUDX7	334295	●
45,00	62,00	10,00	CS	metal	0,05	72 NBR 902	B2USL	34897	●
45,00	62,00	10,00	A	smooth	0,05	72 NBR 902	BAUSL	8479	●
45,00	62,00	12,00	B	metal	0,05	72 NBR 902	B1U	19823	●
45,00	62,00	12,00	C	metal	0,05	72 NBR 902	B2U	23049	●
45,00	62,00	12,00	CS	metal	0,02	72 NBR 902	B2FUDSL	334351	●
45,00	62,00	12,00	A	smooth	0,05	72 NBR 902	BA	8483	●
45,00	62,00	14,00	A	smooth	0,05	72 NBR 902	BADUO	32896	○
45,00	63,00	6,50	A	metal	un-pressurised	80 FKM 177459	MSC 02	508611	●
45,00	63,00	6,50	A	metal	un-pressurised	80 NBR 177458	MSC 02	508635	●
45,00	65,00	7,00	AS	smooth	*	75 FKM 595	BABSL	125117	●
45,00	65,00	7,00	AS	smooth	*	75 FKM 595	BABSL	49035662	●
45,00	65,00	7,00	AS	smooth	*	72 NBR 902	BABSL	526240	●
45,00	65,00	8,00	AS	smooth	*	72 NBR 902	BABSL	12011524	●
45,00	65,00	8,00	B	metal	0,02	72 NBR 902	B1FUD	334645	●
45,00	65,00	8,00	A	grooved	0,05	75 FKM 585	BAUMX7	398036	●
45,00	65,00	8,00	C	metal	up to 1 MPa	PTFE F56101	B2PT	406792	●
45,00	65,00	8,00	A	smooth	0,05	72 NBR 902	BAUX2	49037529	●
45,00	65,00	8,00	A	smooth	0,02	72 NBR 902	BAFUD	532622	●
45,00	65,00	10,00	BS	metal	0,02	72 NBR 902	B1FUDSL	334275	●
45,00	65,00	10,00	AS	grooved	0,02	72 NBR 902	BAFUDSLX7	334298	●
45,00	65,00	10,00	C	metal	0,02	72 NBR 902	B2FUD	334357	●
45,00	65,00	10,00	B	metal	0,02	72 NBR 902	B1FUD	334644	●
45,00	65,00	10,00	A	grooved	0,02	72 NBR 902	BAFUDX7	355409	●
45,00	65,00	10,00	A	smooth	0,05	72 NBR 902	BAU	366521	○
45,00	65,00	10,00	AS	grooved	0,02	72 NBR 902	BAFUDSLX7	394402	○
45,00	65,00	10,00	AS	grooved	0,05	75 FKM 585	BAUMSLX7	405454	●
45,00	65,00	12,00	C	metal	0,02	72 NBR 902	B2FUD	334366	●

● Available from stock    ○ On request: Tool is available, delivery at short notice    \* → Diagram 2, page 18

d <sub>1</sub>	d <sub>2</sub>	b	DIN 3761	Outer surface	Pressure	Material	Type	Article No.	
45,00	65,00	12,00	B	metal	0,02	72 NBR 902	B1FUD	334646	●
45,00	66,00	6,00	A	smooth	0,05	72 NBR 902	BA	31719	●
45,00	66,00	6,00	A	smooth	0,05	72 NBR 902	BA	49019342	●
45,00	68,00	10,00	C	metal	0,05	72 NBR 902	B2	25586	●
45,00	68,00	10,00	A	grooved	0,02	72 NBR 902	BAFUDX7	355488	●
45,00	68,00	10,00	A	grooved	0,05	75 FKM 585	BAUMX7	472400	●
45,00	68,00	12,00	C	metal	0,05	72 NBR 902	B2	23053	●
45,00	70,00	10,00	A	smooth	0,02	72 NBR 902	BAFUD	12010957	●
45,00	70,00	10,00	C	metal	0,05	72 NBR 902	B2U	23591	●
45,00	70,00	12,00	B	metal	0,05	72 NBR 902	B1U	19827	●
45,00	70,00	12,00	C	metal	0,05	72 NBR 902	B2	23054	●
45,00	72,00	7,00	B	metal	0,05	72 NBR 902	B1U	19505	●
45,00	72,00	8,00	A	grooved	0,02	72 NBR 902	BAFUDX7	334282	●
45,00	72,00	8,00	B	metal	0,02	72 NBR 902	B1FUD	334961	●
45,00	72,00	8,00	A	grooved	0,05	75 FKM 585	BAUMX7	388865	●
45,00	72,00	8,00	AS	grooved	0,05	75 FKM 585	BAUMSLX7	431911	●
45,00	72,00	8,00	AS	smooth	0,05	72 NBR 902	BAUSLX2	49006102	●
45,00	72,00	8,00	A	smooth	0,05	75 FKM 585	BAUM	49036527	○
45,00	72,00	8,00	A	smooth	0,05	72 NBR 902	BAUX2	531104	●
45,00	72,00	10,00	B	metal	0,02	72 NBR 902	B1FUD	334277	●
45,00	72,00	10,00	C	metal	0,02	72 NBR 902	B2FUD	334927	●
45,00	72,00	10,00	A	smooth	0,05	72 NBR 902	BAUX2	49018324	●
45,00	72,00	12,00	BS	metal	0,05	72 NBR 902	B1SL	20147	●
45,00	72,00	12,00	B	metal	0,02	72 NBR 902	B1FUD	334928	●
45,00	72,00	12,00	C	metal	0,02	72 NBR 902	B2FUD	334962	●
45,00	75,00	7,00	AS	grooved	0,05	72 NBR 902	BAUSLX27	49001658	●
45,00	75,00	7,00	A	grooved	0,05	72 NBR 902	BAUX27	49001659	●
45,00	75,00	7,00	AS	smooth	0,05	75 FKM 585	BAUMSL	49011967	●
45,00	75,00	7,00	A	smooth	0,05	75 FKM 585	BAUM	49012131	●
45,00	75,00	7,00	-	smooth	0,05	72 NBR 902	MSS 7	522352	●
45,00	75,00	8,00	A	smooth	0,05	72 NBR 902	BAU	368920	●
45,00	75,00	8,00	AS	grooved	0,05	75 FKM 585	BAUMSLX7	411214	●
45,00	75,00	8,00	AS	smooth	0,05	72 NBR 902	BAUSLX2	49005159	○
45,00	75,00	8,00	AS	smooth	0,05	75 FKM 585	BAUMSL	49008402	○
45,00	75,00	8,00	AS	smooth	0,05	72 NBR 902	BAUSLX2	524804	●
45,00	75,00	8,00	-	smooth	0,05	72 NBR 902	MSS 1	49005160	●
45,00	75,00	10,00	AS	smooth	0,02	72 NBR 902	BAFUDSL	12000514	●
45,00	75,00	10,00	A	grooved	0,02	72 NBR 902	BAFUDX7	334299	●
45,00	75,00	10,00	A	smooth	0,05	72 NBR 902	BAUSL	524452	○
45,00	75,00	10,00	A	smooth	0,05	72 NBR 902	BAUX2	526932	●
45,00	75,00	12,00	C	metal	0,05	72 NBR 902	B2	23056	●
45,00	80,00	8,00	A	smooth	0,05	72 NBR 902	BAU	8536	●
45,00	80,00	8,00	-	smooth	0,05	72 NBR 902	MSS 7	522353	●
45,00	80,00	10,00	C	metal	0,05	72 NBR 902	B2U	23058	●
45,00	80,00	10,00	A	grooved	0,02	72 NBR 902	BAFUDX7	334300	●
45,00	80,00	10,00	AS	grooved	0,05	75 FKM 585	BAUMSLX7	477668	●
45,00	80,00	10,00	A	smooth	0,05	72 NBR 902	BAUX2	49037528	●
45,00	80,00	10,00	AS	smooth	0,05	72 NBR 902	BAUSLX2	526075	●
45,00	80,00	13,00	B	metal	0,05	72 NBR 902	B1	19831	●
45,00	80,00	13,00	B	metal	0,05	72 NBR 902	B1USL	20148	●

● Available from stock    ○ On request: Tool is available, delivery at short notice    \* → Diagram 2, page 18

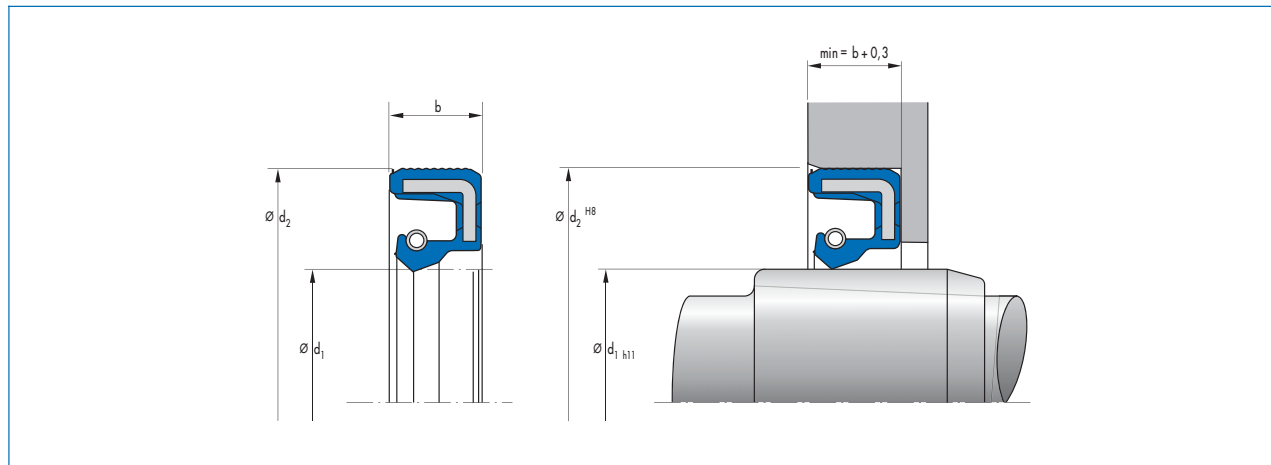


d <sub>1</sub>	d <sub>2</sub>	b	DIN 3761	Outer surface	Pressure	Material	Type	Article No.	
45,00	80,00	13,00	C	metal	0,05	72 NBR 902	B2U	23059	●
45,00	80,00	13,00	A	smooth	0,05	72 NBR 902	BA	8543	●
45,00	85,00	10,00	A	smooth	0,05	72 NBR 902	BAU	141529	●
45,00	85,00	10,00	B	metal	0,05	72 NBR 902	B1U	19832	●
45,00	85,00	10,00	AS	smooth	0,05	72 NBR 902	BAUSLX2	470429	●
45,00	85,00	10,00	AS	smooth	0,05	75 FKM 585	BAUMSL	470430	●
45,00	85,00	10,00	A	smooth	0,05	72 NBR 902	BAUSL	524451	○
45,00	85,00	10,00	-	smooth	0,05	72 NBR 902	MSS 1	525382	●
45,00	85,00	13,00	C	metal	0,05	72 NBR 902	B2	23060	●
45,00	100,00	10,00	A	smooth	0,05	72 NBR 902	BA	103209	●
46,00	60,00	7,00	B	metal	0,05	72 NBR 902	B1U	19506	●
46,00	62,00	12,00	C	metal	0,05	72 NBR 902	B2U	22744	●
46,00	64,00	8,00	A	smooth	0,05	72 NBR 902	BA	8560	●
46,00	65,00	10,00	C	metal	0,05	72 NBR 902	B2U	23062	●
46,00	65,00	10,00	AS	smooth	0,02	72 NBR 902	BAFUDSL	523567	●
46,00	65,00	10,00	A	smooth	0,05	72 NBR 902	BAU	8562	●
46,00	68,00	12,00	C	metal	0,05	72 NBR 902	B2	32022	●
46,00	80,00	10,00	C	metal	0,05	72 NBR 902	B2	22746	●
46,94	62,00	8,00	A	smooth	0,05	72 NBR 902	BA	8578	●
47,00	62,00	6,00	A	smooth	0,05	72 NBR 902	BA	8582	●
47,00	62,00	7,00	AS	smooth	*	72 NBR 902	BABSL	379252	●
47,00	65,00	10,00	AS	smooth	0,05	75 FKM 585	BAUMSL	478469	●
47,00	65,00	10,00	AS	smooth	0,05	72 NBR 902	BAUSLX2	478470	●
47,00	65,00	10,00	-	smooth	0,05	72 NBR 902	MSS 1	525416	●
47,00	65,00	12,00	C	metal	0,05	72 NBR 902	B2U	23067	●
47,00	70,00	12,00	C	metal	0,05	72 NBR 902	B2	23068	●
47,00	72,00	10,00	C	metal	0,05	72 NBR 902	B2	23069	●
47,00	72,00	12,00	B	metal	0,05	72 NBR 902	B1	19836	●
47,00	72,00	12,00	C	metal	0,05	72 NBR 902	B2	23070	●
47,00	90,00	10,00	AS	smooth	0,05	72 NBR 902	BAUSLX2	478472	●
47,00	90,00	10,00	AS	smooth	0,05	75 FKM 585	BAUMSL	478473	●
47,00	90,00	10,00	-	smooth	0,05	72 NBR 902	MSS 1	525417	●
48,00	62,00	8,00	A	grooved	0,02	72 NBR 902	BAFUDX7	334832	●
48,00	62,00	8,00	B	metal	0,02	72 NBR 902	B1FUD	335103	●
48,00	62,00	8,00	C	metal	up to 1 MPa	PTFE F56101	B2PT	374565	○
48,00	62,00	8,00	A	grooved	0,05	75 FKM 585	BAUMX7	400946	●

● Available from stock    ○ On request: Tool is available, delivery at short notice    \* → Diagram 2, page 18

d <sub>1</sub>	d <sub>2</sub>	b	DIN 3761	Outer surface	Pressure	Material	Type	Article No.	
48,00	62,00	8,00	AS	smooth	0,05	72 NBR 902	BAUSLX2	49001665	●
48,00	62,00	8,00	AS	grooved	0,05	75 FKM 585	BAUMSLX7	530500	●
48,00	62,00	10,00	B	metal	0,05	72 NBR 902	B1U	19511	●
48,00	65,00	4,50	A	metal	un-pressurised	80 NBR 177458	MSC 01	508534	●
48,00	65,00	4,50	A	metal	un-pressurised	80 FKM 177459	MSC 01	508583	●
48,00	65,00	8,00	AS	grooved	0,05	75 FKM 585	BAUMSLX7	410186	●
48,00	65,00	8,00	A	smooth	0,05	72 NBR 902	BA	8597	●
48,00	65,00	10,00	B	metal	0,05	72 NBR 902	B1	12011331	○
48,00	65,00	10,00	B	metal	0,05	72 NBR 902	B1U	19837	●
48,00	65,00	10,00	C	metal	0,05	72 NBR 902	B2U	23074	●
48,00	65,00	10,00	CS	metal	0,05	72 NBR 902	B2SL	23429	●
48,00	65,00	10,00	AS	smooth	0,05	72 NBR 902	BAUSLX2	49040137	●
48,00	65,00	10,00	A	smooth	0,05	72 NBR 902	BAU	8604	●
48,00	65,00	10,00	A	smooth	0,05	72 NBR 902	BAUSL	8606	●
48,00	65,00	12,00	C	metal	0,05	72 NBR 902	B2U	22747	●
48,00	68,00	8,00	AS	grooved	0,05	75 FKM 585	BAUMSLX7	411231	●
48,00	68,00	10,00	C	metal	0,05	72 NBR 902	B2U	22748	●
48,00	68,00	10,00	AS	smooth	0,05	72 NBR 902	BAUSLX2	529405	●
48,00	68,00	10,00	A	smooth	0,05	72 NBR 902	BA	8617	●
48,00	68,00	12,00	C	metal	0,05	72 NBR 902	B2U	23075	●
48,00	69,00	12,00	B	metal	0,05	72 NBR 902	B1U	19840	●
48,00	70,00	10,00	C	metal	0,05	72 NBR 902	B2	23076	●
48,00	70,00	10,00	A	smooth	0,05	72 NBR 902	BAU	8624	●
48,00	70,00	12,00	C	metal	0,05	72 NBR 902	B2	23077	●
48,00	70,00	14,00	CS	metal	0,05	72 NBR 902	B2SL	61833	○
48,00	72,00	7,00	A	grooved	0,02	72 NBR 902	BAFUDX7	334833	●
48,00	72,00	7,00	BS	metal	0,02	72 NBR 902	B1FUDSL	348354	●
48,00	72,00	8,00	B	metal	0,05	72 NBR 902	B1	14027	●
48,00	72,00	8,00	A	grooved	0,02	72 NBR 902	BAFUDX7	334301	●
48,00	72,00	8,00	A	grooved	0,05	75 FKM 585	BAUMX7	388860	●
48,00	72,00	8,00	B	metal	0,02	72 NBR 902	B1FUD	427015	○
48,00	72,00	8,00	AS	grooved	0,05	75 FKM 585	BAUMSLX7	460943	●
48,00	72,00	8,00	AS	smooth	0,05	72 NBR 902	BAUSLX2	524140	●
48,00	72,00	10,00	C	metal	0,05	72 NBR 902	B2U	23078	●
48,00	72,00	10,00	A	smooth	0,05	72 NBR 902	BAU	8633	●
48,00	72,00	12,00	B	metal	0,05	72 NBR 902	B1	20265	●
48,00	72,00	12,00	C	metal	0,05	72 NBR 902	B2	23079	●
48,00	72,00	12,00	A	smooth	0,05	72 NBR 902	BA	8640	●
48,00	72,00	12,00	A	smooth	0,05	72 NBR 902	BAUSL	8641	●
48,00	80,00	8,00	B	metal	0,05	72 NBR 902	B1U	424798	○
48,00	80,00	10,00	C	metal	0,05	72 NBR 902	B2U	22749	●
48,00	80,00	10,00	A	grooved	0,02	72 NBR 902	BAFUDX7	334302	●
48,00	80,00	13,00	C	metal	0,05	72 NBR 902	B2	23080	●
48,00	90,00	13,00	C	metal	0,05	72 NBR 902	B2	23082	●
49,00	65,00	10,00	A	smooth	0,05	72 NBR 902	BA	8648	●
49,00	68,00	10,00	C	metal	0,05	72 NBR 902	B2U	22751	●
50,00	60,00	4,50	A	smooth	0,05	72 NBR 902	BAUSL	49033416	○
50,00	60,00	4,50	AS	grooved	0,05	75 FKM 585	BAUMSLX27	521194	●
50,00	62,00	6,00	B	metal	0,05	72 NBR 902	B1USL	38786	○
50,00	62,00	7,00	AS	smooth	0,02	72 NBR 902	BAFUDSL	12011173	●

● Available from stock    ○ On request: Tool is available, delivery at short notice    \* → Diagram 2, page 18



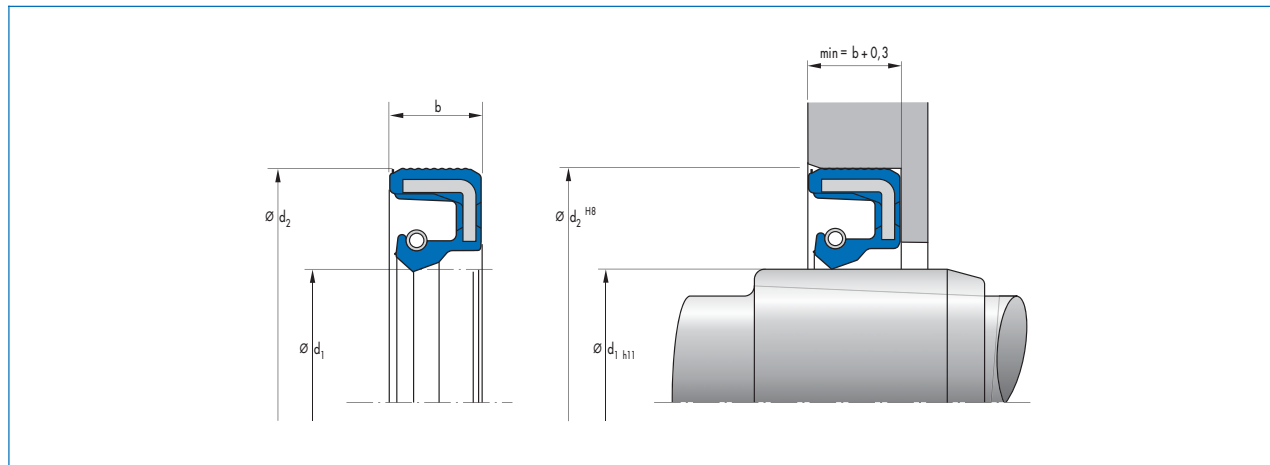
d <sub>1</sub>	d <sub>2</sub>	b	DIN 3761	Outer surface	Pressure	Material	Type	Article No.	
50,00	62,00	7,00	B	metal	0,02	72 NBR 902	B1FUD	532631	●
50,00	62,00	8,00	C	metal	up to 1 MPa	PTFE F56101	B2PT	406798	●●
50,00	62,00	10,00	B	metal	0,02	72 NBR 902	B1FUD	335124	●
50,00	65,00	7,00	AS	smooth	*	75 FKM 595	BABSL	340127	●
50,00	65,00	7,00	AS	smooth	*	72 NBR 902	BABSL	49009273	●
50,00	65,00	8,00	AS	smooth	*	72 NBR 902	BABSL	12001704	●
50,00	65,00	8,00	B	metal	0,02	72 NBR 902	B1FUD	334393	●
50,00	65,00	8,00	A	grooved	0,02	72 NBR 902	BAFUDX7	334500	●
50,00	65,00	8,00	A	grooved	0,05	75 FKM 585	BAUMX7	389801	●
50,00	65,00	8,00	AS	grooved	0,05	75 FKM 585	BAUMSLX7	410188	●
50,00	65,00	8,00	AS	smooth	0,05	72 NBR 902	BAUSLX2	49008230	○
50,00	65,00	8,00	AS	smooth	0,02	72 NBR 902	BAFUDSL	532623	●
50,00	65,00	8,00	BS	metal	0,02	72 NBR 902	B1FUDSL	532632	●
50,00	65,00	8,00	A	smooth	0,05	72 NBR 902	BAU	8655	○
50,00	65,00	8,00	A	smooth	0,05	72 NBR 902	BAUSL	8659	○
50,00	65,00	10,00	B	metal	0,05	72 NBR 902	B1U	19520	●
50,00	65,00	10,00	C	metal	0,05	72 NBR 902	B2U	22752	●
50,00	65,00	10,00	AS	smooth	0,05	75 FKM 585	BAUMSL	455620	●
50,00	65,00	10,00	AS	smooth	0,05	72 NBR 902	BAUSLX2	455621	●
50,00	65,00	10,00	A	smooth	0,05	72 NBR 902	BAU	8662	●
50,00	65,00	10,00	-	smooth	0,05	72 NBR 902	MSS 1	525357	●
50,00	66,00	10,00	B	metal	0,05	72 NBR 902	B1	19521	●
50,00	68,00	7,00	AS	smooth	*	72 NBR 902	BABSL	327026	●
50,00	68,00	7,00	AS	smooth	*	75 FKM 595	BABSL	360204	●
50,00	68,00	8,00	AS	smooth	*	72 NBR 902	BABSL	12011526	●
50,00	68,00	8,00	B	metal	0,05	72 NBR 902	B1U	2600	●
50,00	68,00	8,00	A	grooved	0,05	75 FKM 585	BAUMX7	386015	●
50,00	68,00	8,00	C	metal	up to 1 MPa	PTFE F56101	B2PT	406801	●
50,00	68,00	8,00	AS	grooved	0,05	75 FKM 585	BAUMSLX7	433708	●
50,00	68,00	8,00	BS	metal	0,02	72 NBR 902	B1FUDSL	438769	○
50,00	68,00	8,00	AS	smooth	0,05	72 NBR 902	BAUSLX2	475179	●
50,00	68,00	8,00	A	smooth	0,02	72 NBR 902	BAFUD	532624	●
50,00	68,00	10,00	AS	smooth	0,02	72 NBR 902	BAFUDSL	12011176	●
50,00	68,00	10,00	B	metal	0,05	72 NBR 902	B1U	19843	●
50,00	68,00	10,00	C	metal	0,05	72 NBR 902	B2U	23085	●
50,00	68,00	10,00	A	smooth	0,05	72 NBR 902	BAU	8668	●

● Available from stock    ○ On request: Tool is available, delivery at short notice    \* → Diagram 2, page 18



d <sub>1</sub>	d <sub>2</sub>	b	DIN 3761	Outer surface	Pressure	Material	Type	Article No.	
50,00	68,00	12,00	C	metal	0,05	72 NBR 902	B2U	23086	●
50,00	68,00	12,00	A	smooth	0,05	72 NBR 902	BA	8670	●
50,00	68,00	14,00	B	metal	0,05	72 NBR 902	B1	19844	●
50,00	70,00	5,50	A	metal	un-pressurised	80 NBR 177458	MSC 01	508535	●
50,00	70,00	5,50	A	metal	un-pressurised	80 FKM 177459	MSC 01	508584	●
50,00	70,00	8,00	C	metal	up to 1 MPa	PTFE F56101	B2PT	406802	●
50,00	70,00	8,00	A	grooved	0,05	75 FKM 585	BAUMX7	411521	●
50,00	70,00	9,00	AS	grooved	0,02	72 NBR 902	BAFUDSLX7	365415	●
50,00	70,00	10,00	AS	smooth	0,02	72 NBR 902	BAFUDSL	12000520	●
50,00	70,00	10,00	C	metal	0,02	72 NBR 902	B2FUD	334346	●
50,00	70,00	10,00	B	metal	0,02	72 NBR 902	B1FUD	334394	●
50,00	70,00	10,00	A	grooved	0,02	72 NBR 902	BAFUDX7	334834	●
50,00	70,00	10,00	AS	smooth	*	72 NBR 902	BABSL	49023852	●
50,00	70,00	10,00	C	metal	0,05	75 FKM 595	B2	80614	○
50,00	70,00	12,00	C	metal	0,02	72 NBR 902	B2FUD	334347	●
50,00	70,00	12,00	B	metal	0,02	72 NBR 902	B1FUD	334672	●
50,00	70,00	12,00	A	smooth	0,05	72 NBR 902	BA	385267	○
50,00	70,00	12,00	A	smooth	0,05	72 NBR 902	BAU	8677	●
50,00	72,00	7,00	AS	smooth	*	72 NBR 902	BABSL	3036	●
50,00	72,00	7,00	AS	smooth	*	75 FKM 595	BABSL	418718	●
50,00	72,00	7,50	A	metal	un-pressurised	80 FKM 177459	MSC 02	508612	●
50,00	72,00	7,50	A	metal	un-pressurised	80 NBR 177458	MSC 02	508636	●
50,00	72,00	8,00	B	metal	0,02	72 NBR 902	B1FUD	335105	●
50,00	72,00	8,00	A	grooved	0,05	75 FKM 585	BAUMX7	388083	●
50,00	72,00	8,00	C	metal	up to 1 MPa	PTFE F56101	B2PT	406804	●
50,00	72,00	8,00	AS	grooved	0,05	75 FKM 585	BAUMSLX7	410430	●
50,00	72,00	8,00	A	smooth	0,02	72 NBR 902	BAFUD	49001627	●
50,00	72,00	8,00	AS	smooth	0,05	72 NBR 902	BAUSLX2	529406	●
50,00	72,00	8,00	C	metal	up to 1 MPa	PTFE F56101	B2PT	529450	○
50,00	72,00	10,00	CS	metal	0,05	72 NBR 902	B2USL	32425	●
50,00	72,00	10,00	BS	metal	0,02	72 NBR 902	B1FUDSL	335106	●
50,00	72,00	10,00	A	grooved	0,02	72 NBR 902	BAFUDX7	346653	●
50,00	72,00	10,00	C	metal	0,02	72 NBR 902	B2FUD	355458	●
50,00	72,00	10,00	B	metal	0,02	72 NBR 902	B1FUD	356350	●
50,00	72,00	10,00	A	smooth	0,05	72 NBR 902	BA	8694	●
50,00	72,00	12,00	CS	metal	0,05	72 NBR 902	B2SL	23599	●
50,00	72,00	12,00	AS	grooved	0,02	72 NBR 902	BAFUDSLX7	334835	●
50,00	72,00	12,00	C	metal	0,02	72 NBR 902	B2FUD	355449	●
50,00	72,00	12,00	B	metal	0,02	72 NBR 902	B1FUD	356347	●
50,00	72,00	12,00	AS	smooth	0,05	72 NBR 902	BAUSLX2	530502	●
50,00	75,00	7,00	AS	smooth	0,05	72 NBR 902	BAUSLX2	522367	●
50,00	75,00	8,00	AS	grooved	0,05	75 FKM 585	BAUMSLX7	468760	●
50,00	75,00	9,00	B	metal	0,05	72 NBR 902	B1	19849	●
50,00	75,00	10,00	A	smooth	0,05	72 NBR 902	BAU	8711	●
50,00	75,00	12,00	C	metal	0,02	72 NBR 902	B2FUD	334963	●
50,00	78,00	10,00	A	smooth	0,05	72 NBR 902	BAU	8713	●
50,00	78,00	13,00	C	metal	0,05	72 NBR 902	B2U	23093	●
50,00	80,00	8,00	B	metal	0,02	72 NBR 902	B1FUD	334929	●
50,00	80,00	8,00	A	grooved	0,05	75 FKM 585	BAUMX7	389830	●
50,00	80,00	8,00	AS	grooved	0,05	75 FKM 585	BAUMSLX7	477663	●

● Available from stock    ○ On request: Tool is available, delivery at short notice    \* → Diagram 2, page 18

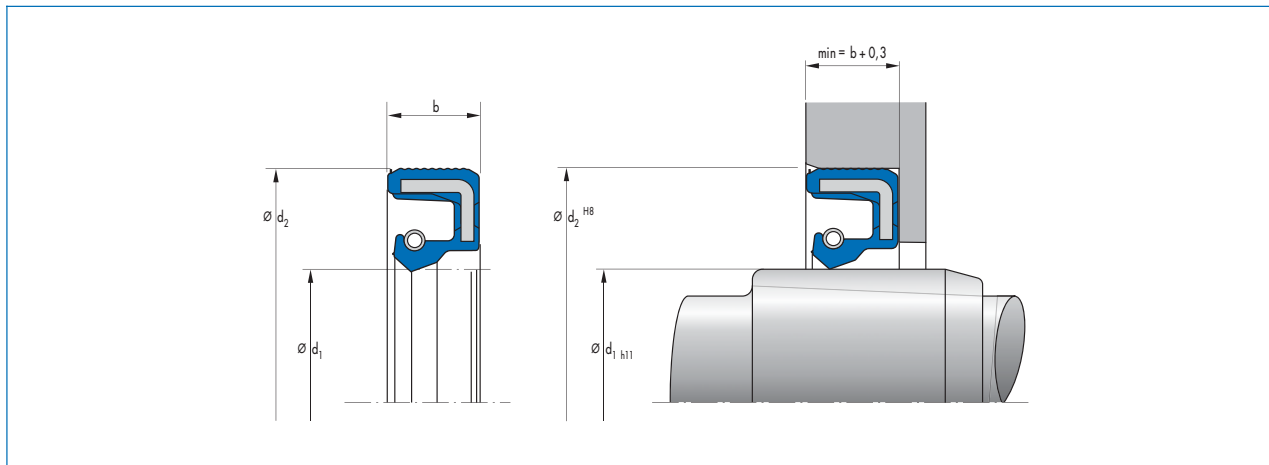


d <sub>1</sub>	d <sub>2</sub>	b	DIN 3761	Outer surface	Pressure	Material	Type	Article No.	
50,00	80,00	8,00	A	smooth	0,02	72 NBR 902	BAFUD	49001628	●
50,00	80,00	8,00	AS	smooth	0,05	72 NBR 902	BAUSLX2	522368	●
50,00	80,00	8,00	A	smooth	0,05	72 NBR 902	BAUX2	531107	●
50,00	80,00	10,00	C	metal	0,05	75 FKM 595	B2U	300325	○
50,00	80,00	10,00	B	metal	0,02	72 NBR 902	B1FUD	334930	●
50,00	80,00	10,00	C	metal	0,02	72 NBR 902	B2FUD	334964	●
50,00	80,00	10,00	AS	grooved	0,05	75 FKM 585	BAUMSLX7	405447	●
50,00	80,00	10,00	AS	grooved	0,05	72 NBR 902	BAUSLX27	451009	●
50,00	80,00	10,00	AS	smooth	0,05	75 FKM 585	BAUMSL	455622	●
50,00	80,00	10,00	AS	smooth	0,05	72 NBR 902	BAUSLX2	455623	●
50,00	80,00	10,00	A	smooth	0,05	72 NBR 902	BAUX2	49037530	●
50,00	80,00	10,00	AS	grooved	0,05	75 FKM 585	BAUMSLX7	526239	○
50,00	80,00	10,00	A	smooth	0,05	72 NBR 902	BAU	8716	●
50,00	80,00	10,00	-	smooth	0,05	72 NBR 902	MSS 1	525353	●
50,00	80,00	13,00	B	metal	0,05	72 NBR 902	B1	19851	○
50,00	80,00	13,00	C	metal	0,05	72 NBR 902	B2	23095	●
50,00	80,00	13,00	CS	metal	0,05	72 NBR 902	B2USL	23538	●
50,00	80,00	13,00	A	smooth	0,05	72 NBR 902	BAUSL	340571	●
50,00	80,00	13,00	A	smooth	0,05	72 NBR 902	BA	8720	●
50,00	85,00	10,00	AS	smooth	0,05	72 NBR 902	BAUSLX2	521126	●
50,00	85,00	13,00	C	metal	0,05	72 NBR 902	B2	23096	●
50,00	90,00	8,00	AS	grooved	0,05	72 NBR 902	BAUSLX27	49001660	●
50,00	90,00	8,00	AS	smooth	0,05	75 FKM 585	BAUMSL	49011966	●
50,00	90,00	10,00	B	metal	0,05	72 NBR 902	B1	19853	●
50,00	90,00	10,00	B	metal	0,05	72 NBR 902	B1U	426908	○
50,00	90,00	10,00	AS	smooth	0,05	75 FKM 585	BAUMSL	455624	●
50,00	90,00	10,00	AS	smooth	0,05	72 NBR 902	BAUSLX2	455625	●
50,00	90,00	10,00	A	smooth	0,05	72 NBR 902	BAUX2	531103	●
50,00	90,00	10,00	-	smooth	0,05	72 NBR 902	MSS 1	525358	●
50,00	90,00	13,00	C	metal	0,05	72 NBR 902	B2U	23097	●
50,00	110,00	10,00	AS	smooth	0,05	75 FKM 585	BAUMSL	49014240	●
50,00	110,00	10,00	AS	smooth	0,05	72 NBR 902	BAUSLX2	49014241	●
50,80	76,20	9,50	B	metal	0,05	72 NBR 902	B1	19855	●
50,80	76,20	12,70	C	metal	0,05	72 NBR 902	B2	23098	○
52,00	68,00	7,00	B	metal	0,05	72 NBR 902	B1U	19522	●
52,00	68,00	7,00	BS	metal	0,02	72 NBR 902	B1FUDSL	355473	●

● Available from stock    ○ On request: Tool is available, delivery at short notice    \* → Diagram 2, page 18

d <sub>1</sub>	d <sub>2</sub>	b	DIN 3761	Outer surface	Pressure	Material	Type	Article No.	
52,00	68,00	8,00	AS	smooth	0,02	72 NBR 902	BAFUDSL	12013905	●
52,00	68,00	8,00	B	metal	0,05	72 NBR 902	B1U	19523	●
52,00	68,00	8,00	A	grooved	0,02	72 NBR 902	BAFUDX7	334316	●
52,00	68,00	8,00	A	grooved	0,05	75 FKM 585	BAUMX7	400964	●
52,00	68,00	8,00	AS	grooved	0,05	75 FKM 585	BAUMSLX7	409244	●
52,00	68,00	10,00	C	metal	0,05	72 NBR 902	B2U	22755	●
52,00	68,00	10,00	AS	smooth	*	72 NBR 902	BABSL	341297	●
52,00	68,00	10,00	AS	smooth	*	75 FKM 595	BABSL	49021367	●
52,00	68,00	10,00	A	smooth	0,05	72 NBR 902	BA	8742	●
52,00	69,00	12,00	C	metal	0,05	72 NBR 902	B2	22757	●
52,00	70,00	10,00	C	metal	0,05	72 NBR 902	B2U	22758	●
52,00	72,00	5,50	A	metal	un-pressurised	80 NBR 177458	MSC 01	508536	●
52,00	72,00	5,50	A	metal	un-pressurised	80 FKM 177459	MSC 01	508585	●
52,00	72,00	8,00	B	metal	0,05	72 NBR 902	B1	2655	●
52,00	72,00	8,00	A	grooved	0,02	72 NBR 902	BAFUDX7	355489	●
52,00	72,00	8,00	C	metal	up to 1 MPa	PTFE F56101	B2PT	362508	○
52,00	72,00	8,00	A	grooved	0,05	75 FKM 585	BAUMX7	389280	●
52,00	72,00	8,00	C	metal	up to 1 MPa	PTFE F56101	B2PT	406805	●
52,00	72,00	8,00	AS	grooved	0,05	75 FKM 585	BAUMSLX7	410422	●
52,00	72,00	10,00	B	metal	0,05	72 NBR 902	B1	19857	●
52,00	72,00	10,00	C	metal	0,05	72 NBR 902	B2U	22760	●
52,00	72,00	10,00	AS	smooth	0,05	72 NBR 902	BAUSLX2	470379	●
52,00	72,00	10,00	AS	smooth	0,05	75 FKM 585	BAUMSL	470380	●
52,00	72,00	10,00	A	smooth	0,05	72 NBR 902	BAU	8747	●
52,00	72,00	10,00	-	smooth	0,05	72 NBR 902	MSS 1	525379	●
52,00	72,00	12,00	B	metal	0,05	72 NBR 902	B1U	19859	●
52,00	72,00	12,00	B	metal	0,05	72 NBR 902	B1USL	20310	●
52,00	72,00	12,00	C	metal	0,05	72 NBR 902	B2U	23100	●
52,00	72,00	12,00	A	smooth	0,05	72 NBR 902	BA	8749	●
52,00	75,00	10,00	C	metal	0,05	72 NBR 902	B2U	3546	●
52,00	75,00	10,00	A	smooth	0,05	72 NBR 902	BA	8751	●
52,00	75,00	12,00	C	metal	0,05	72 NBR 902	B2U	23101	●
52,00	80,00	10,00	C	metal	0,05	72 NBR 902	B2	22761	●
52,00	80,00	10,00	AS	grooved	0,05	75 FKM 585	BAUMSLX7	532940	●
52,00	80,00	10,00	A	smooth	0,05	72 NBR 902	BA	8753	●
52,00	80,00	13,00	BS	metal	0,05	72 NBR 902	B1SL	20151	●
52,00	80,00	13,00	C	metal	0,05	72 NBR 902	B2U	23102	●
52,00	85,00	10,00	C	metal	0,05	72 NBR 902	B2	23104	●
52,00	85,00	10,00	AS	grooved	0,05	75 FKM 585	BAUMSLX7	465368	●
52,00	85,00	10,00	A	smooth	0,02	72 NBR 902	BAFUD	523559	●
52,00	85,00	10,00	A	smooth	0,05	72 NBR 902	BA	8763	●
52,00	85,00	13,00	C	metal	0,05	72 NBR 902	B2	23105	●
52,00	90,00	13,00	C	metal	0,05	72 NBR 902	B2U	23106	●
52,00	100,00	10,00	AS	smooth	0,05	75 FKM 585	BAUMSL	470340	●
52,00	100,00	10,00	AS	smooth	0,05	72 NBR 902	BAUSLX2	470342	●
52,00	100,00	10,00	A	grooved	0,05	75 FKM 585	BAUMX7	524706	●
52,00	100,00	10,00	-	smooth	0,05	72 NBR 902	MSS 1	525389	●
53,00	68,00	10,00	A	smooth	0,02	72 NBR 902	BAFUD	12010980	●
53,00	68,00	10,00	C	metal	0,05	72 NBR 902	B2U	22762	●
53,00	72,00	12,00	C	metal	0,05	72 NBR 902	B2	23108	●

● Available from stock    ○ On request: Tool is available, delivery at short notice    \* → Diagram 2, page 18

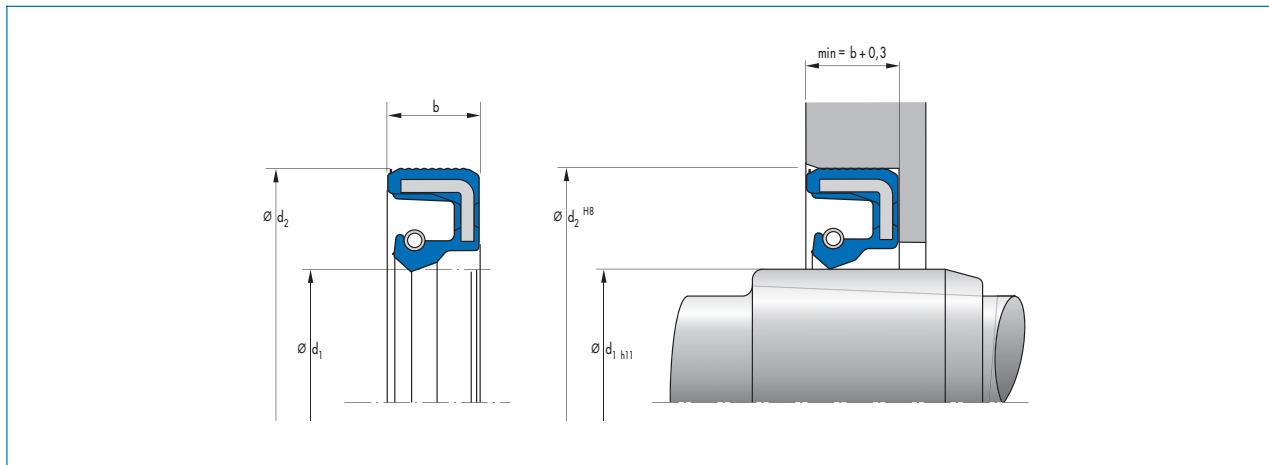


d <sub>1</sub>	d <sub>2</sub>	b	DIN 3761	Outer surface	Pressure	Material	Type	Article No.	
53,00	80,00	13,00	C	metal	0,05	72 NBR 902	B2U	23109	●
53,98	73,03	6,40	B	metal	0,05	72 NBR 902	B1	18428	●
53,98	76,20	12,50	C	metal	0,05	72 NBR 902	B2U	23112	●
54,00	70,00	8,00	AS	grooved	0,05	75 FKM 585	BAUMSLX7	532939	●
54,00	70,00	10,00	B	metal	0,05	72 NBR 902	B1U	21249	●
54,00	70,00	10,00	A	smooth	0,05	72 NBR 902	BA	8781	●
54,00	70,00	12,00	C	metal	0,05	72 NBR 902	B2U	22763	●
54,00	72,00	10,00	C	metal	0,05	72 NBR 902	B2U	22764	●
54,00	80,00	10,00	C	metal	0,05	72 NBR 902	B2	22765	●
54,00	80,00	13,00	C	metal	0,05	72 NBR 902	B2U	23116	●
54,00	81,00	10,00	AS	grooved	0,02	72 NBR 902	BAFUDSLX7	407530	●
54,00	85,00	10,00	C	metal	0,05	72 NBR 902	B2	22766	●
55,00	68,00	8,00	A	grooved	0,02	72 NBR 902	BAFUDX7	355483	●
55,00	68,00	8,00	AS	grooved	0,05	75 FKM 585	BAUMSLX7	520864	●
55,00	68,00	8,00	A	grooved	0,05	75 FKM 585	BAUMX7	525674	●
55,00	68,00	8,00	AS	smooth	0,05	72 NBR 902	BAUSLX2	525828	●
55,00	70,00	7,00	AS	smooth	*	72 NBR 902	BABSL	457349	●
55,00	70,00	7,00	A	smooth	0,05	72 NBR 902	BAUX2	520469	●
55,00	70,00	7,00	AS	smooth	0,05	72 NBR 902	BAUSLX2	521375	●
55,00	70,00	8,00	AS	smooth	*	72 NBR 902	BABSL	12001706	●
55,00	70,00	8,00	BS	metal	0,02	72 NBR 902	B1FUDSL	334395	●
55,00	70,00	8,00	B	metal	0,02	72 NBR 902	B1FUD	335111	●
55,00	70,00	8,00	C	metal	up to 1 MPa	PTFE F56101	B2PT	406820	●
55,00	70,00	8,00	AS	grooved	0,05	75 FKM 585	BAUMSLX7	476381	●
55,00	70,00	8,00	AS	smooth	0,02	72 NBR 902	BAFUDSL	49001656	●
55,00	70,00	8,00	A	smooth	0,05	72 NBR 902	BAUX2	528747	●
55,00	70,00	10,00	A	grooved	0,05	75 FKM 585	BAUMX7	386016	●
55,00	70,00	10,00	A	smooth	0,05	72 NBR 902	BAU	8799	●
55,00	72,00	7,00	AS	smooth	*	72 NBR 902	BABSL	13984	●
55,00	72,00	7,00	AS	smooth	*	75 FKM 595	BABSL	479065	●
55,00	72,00	7,00	AS	smooth	*	75 FKM 595	BABSL	49008285	●
55,00	72,00	8,00	AS	smooth	*	72 NBR 902	BABSL	12011530	●
55,00	72,00	8,00	B	metal	0,02	72 NBR 902	B1FUD	334676	●
55,00	72,00	8,00	A	grooved	0,05	75 FKM 585	BAUMX7	386017	●
55,00	72,00	8,00	AS	grooved	0,05	75 FKM 585	BAUMSLX7	407140	●
55,00	72,00	8,00	AS	smooth	0,05	72 NBR 902	BAUSLX2	476679	●

● Available from stock    ○ On request: Tool is available, delivery at short notice    \* → Diagram 2, page 18

d <sub>1</sub>	d <sub>2</sub>	b	DIN 3761	Outer surface	Pressure	Material	Type	Article No.	
55,00	72,00	8,00	A	smooth	0,02	72 NBR 902	BAFUD	532625	●
55,00	72,00	10,00	B	metal	0,02	72 NBR 902	B1FUD	334370	●
55,00	72,00	10,00	C	metal	0,02	72 NBR 902	B2FUD	334677	●
55,00	72,00	10,00	BS	metal	0,02	72 NBR 902	B1FUDSL	335113	●
55,00	72,00	10,00	A	grooved	0,02	72 NBR 902	BAFUDX7	335477	●
55,00	72,00	10,00	C	metal	up to 1 MPa	PTFE F56101	B2PT	353545	●
55,00	72,00	10,00	AS	smooth	0,05	72 NBR 902	BAUSLX2	462742	●
55,00	72,00	10,00	AS	smooth	0,05	75 FKM 585	BAUMSL	462744	●
55,00	72,00	10,00	-	smooth	0,05	72 NBR 902	MSS 1	525360	●
55,00	72,00	10,00	-	smooth	0,05	75 FKM 585	MSS 1	525365	●
55,00	72,00	12,00	BS	metal	0,02	72 NBR 902	B1FUDSL	334279	●
55,00	72,00	12,00	C	metal	0,02	72 NBR 902	B2FUD	334333	●
55,00	72,00	12,00	B	metal	0,02	72 NBR 902	B1FUD	334675	●
55,00	75,00	5,50	A	metal	un-pressurised	80 NBR 177458	MSC 01	508537	●
55,00	75,00	5,50	A	metal	un-pressurised	80 FKM 177459	MSC 01	508586	●
55,00	75,00	7,00	AS	smooth	*	75 FKM 595	BABSL	418724	●
55,00	75,00	7,00	AS	smooth	*	72 NBR 902	BABSL	423894	●
55,00	75,00	8,00	AS	grooved	0,05	75 FKM 585	BAUMSLX7	410784	●
55,00	75,00	8,00	AS	smooth	0,05	72 NBR 902	BAUSLX2	475176	●
55,00	75,00	10,00	A	grooved	0,02	72 NBR 902	BAFUDX7	355484	●
55,00	75,00	10,00	A	smooth	0,05	72 NBR 902	BAU	366523	○
55,00	75,00	10,00	C	metal	0,05	72 NBR 902	B2U	80235	●
55,00	75,00	12,00	B	metal	0,02	72 NBR 902	B1FUD	334931	●
55,00	75,00	12,00	C	metal	0,02	72 NBR 902	B2FUD	334965	●
55,00	75,00	13,00	A	smooth	0,05	72 NBR 902	BAU	8815	●
55,00	75,00	15,00	A	smooth	0,05	72 NBR 902	BADUO	8817	○
55,00	77,00	7,50	A	metal	un-pressurised	80 FKM 177459	MSC 02	508613	●
55,00	77,00	7,50	A	metal	un-pressurised	80 NBR 177458	MSC 02	508637	●
55,00	78,00	10,00	AS	grooved	0,05	75 FKM 585	BAUMSLX7	474111	●
55,00	78,00	10,00	A	smooth	0,05	72 NBR 902	BA	8822	●
55,00	78,00	13,00	C	metal	0,05	72 NBR 902	B2	23118	●
55,00	80,00	8,00	A	grooved	0,05	75 FKM 585	BAUMX7	400987	●
55,00	80,00	8,00	C	metal	up to 1 MPa	PTFE F56101	B2PT	406821	●
55,00	80,00	8,00	AS	grooved	0,05	75 FKM 585	BAUMSLX7	521008	●
55,00	80,00	8,00	AS	smooth	0,05	72 NBR 902	BAUSLX2	524199	●
55,00	80,00	8,00	A	smooth	0,05	72 NBR 902	BAUX2	524646	●
55,00	80,00	8,00	B	metal	0,05	72 NBR 902	B1U	526428	●
55,00	80,00	10,00	B	metal	0,05	72 NBR 902	B1U	19865	●
55,00	80,00	10,00	C	metal	0,05	72 NBR 902	B2U	23119	●
55,00	80,00	10,00	CS	metal	0,02	72 NBR 902	B2FUDSL	334966	●
55,00	80,00	10,00	A	grooved	0,05	75 FKM 585	BAUMX7	388830	●
55,00	80,00	10,00	AS	smooth	0,05	72 NBR 902	BAUSLX2	524501	●
55,00	80,00	10,00	A	smooth	0,05	72 NBR 902	BAU	8825	●
55,00	80,00	12,00	C	metal	0,05	72 NBR 902	B2U	23120	●
55,00	80,00	13,00	B	metal	0,05	72 NBR 902	B1U	19866	●
55,00	80,00	13,00	BS	metal	0,02	72 NBR 902	B1FUDSL	334396	●
55,00	80,00	13,00	C	metal	0,05	72 NBR 902	B2U	3564	●
55,00	80,00	13,00	A	smooth	0,05	72 NBR 902	BAU	8834	●
55,00	85,00	8,00	B	metal	0,05	72 NBR 902	B1	2659	●
55,00	85,00	8,00	A	grooved	0,05	75 FKM 585	BAUMX7	411522	●

● Available from stock    ○ On request: Tool is available, delivery at short notice    \* → Diagram 2, page 18

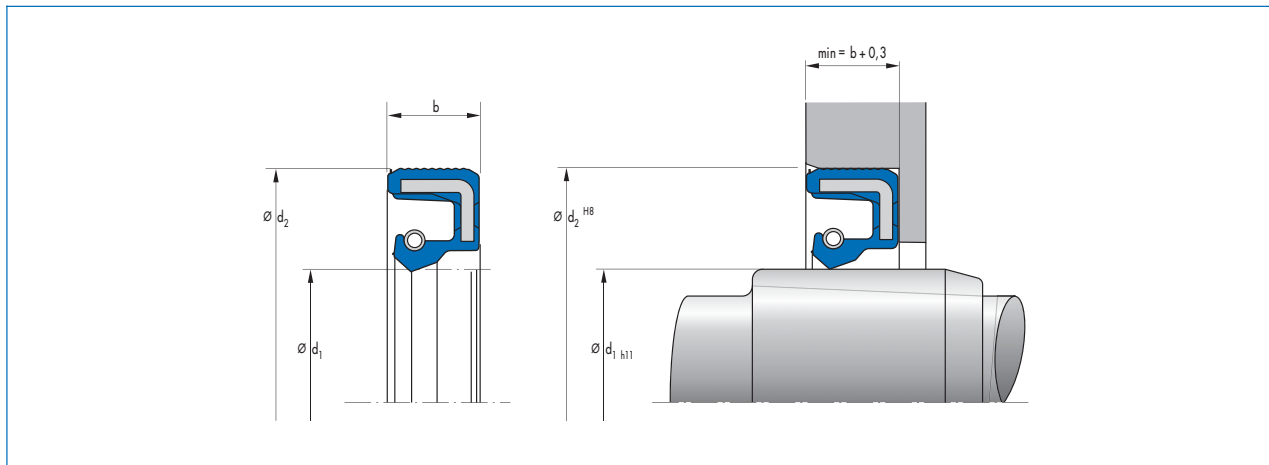


d <sub>1</sub>	d <sub>2</sub>	b	DIN 3761	Outer surface	Pressure	Material	Type	Article No.	
55,00	85,00	8,00	A	smooth	0,05	72 NBR 902	BAU	523560	●
55,00	85,00	10,00	C	metal	0,05	72 NBR 902	B2U	22769	●
55,00	85,00	10,00	A	grooved	0,05	75 FKM 585	BAUMX7	389288	●
55,00	85,00	10,00	A	smooth	0,05	72 NBR 902	BA	8836	●
55,00	85,00	13,00	B	metal	0,05	72 NBR 902	B1U	19868	●
55,00	85,00	13,00	C	metal	0,05	72 NBR 902	B2	23122	●
55,00	85,00	13,00	A	smooth	0,05	72 NBR 902	BAU	8838	●
55,00	90,00	8,00	AS	grooved	0,05	72 NBR 902	BAUSLX7	377885	●
55,00	90,00	8,00	AS	grooved	0,05	75 FKM 585	BAUMSLX7	477662	●
55,00	90,00	8,00	A	smooth	0,05	72 NBR 902	BAUX2	49009274	●
55,00	90,00	8,00	A	smooth	0,05	75 FKM 585	BAUM	49012068	●
55,00	90,00	8,00	AS	smooth	0,05	72 NBR 902	BAUSLX2	49033016	●
55,00	90,00	9,00	-	smooth	0,05	72 NBR 902	MSS 7	522351	●
55,00	90,00	10,00	AS	smooth	0,05	75 FKM 585	BAUMSL	455629	●
55,00	90,00	10,00	AS	smooth	0,05	72 NBR 902	BAUSLX2	455630	●
55,00	90,00	10,00	A	smooth	0,05	72 NBR 902	BAUX2	521240	●
55,00	90,00	10,00	-	smooth	0,05	72 NBR 902	MSS 1	525359	●
55,00	90,00	10,00	-	smooth	0,05	75 FKM 585	MSS 1	525364	○
55,00	90,00	13,00	C	metal	0,05	72 NBR 902	B2	23123	●
55,00	100,00	8,00	AS	smooth	0,05	72 NBR 902	BAUSLX2	49003306	●
55,00	100,00	8,00	AS	smooth	0,05	75 FKM 585	BAUMSL	49011965	●
55,00	100,00	10,00	AS	smooth	0,05	72 NBR 902	BAUSLX2	470437	●
55,00	100,00	10,00	AS	smooth	0,05	75 FKM 585	BAUMSL	470438	●
55,00	100,00	10,00	A	smooth	0,05	72 NBR 902	BAUX2	49002809	●
55,00	100,00	10,00	-	smooth	0,05	72 NBR 902	MSS 1	525393	●
55,00	100,00	10,00	-	smooth	0,05	75 FKM 585	MSS 1	525425	○
55,00	100,00	13,00	C	metal	0,05	72 NBR 902	B2U	23124	●
55,00	110,00	10,00	AS	grooved	0,05	75 FKM 585	BAUMSLX7	465367	●
56,00	70,00	8,00	AS	smooth	0,02	72 NBR 902	BAFUDSL	12011189	●
56,00	70,00	8,00	A	smooth	0,05	72 NBR 902	BA	27338	●
56,00	70,00	8,00	B	metal	0,05	72 NBR 902	B1	28930	●
56,00	70,00	8,00	AS	grooved	0,05	75 FKM 585	BAUMSLX7	407296	●
56,00	72,00	8,00	B	metal	0,05	72 NBR 902	B1U	19530	●
56,00	72,00	8,00	AS	grooved	0,05	75 FKM 585	BAUMSLX7	410420	●
56,00	72,00	8,00	A	smooth	0,05	72 NBR 902	BAU	8850	●
56,00	72,00	10,00	C	metal	0,05	72 NBR 902	B2	2838	●

● Available from stock    ○ On request: Tool is available, delivery at short notice    \* → Diagram 2, page 18

d <sub>1</sub>	d <sub>2</sub>	b	DIN 3761	Outer surface	Pressure	Material	Type	Article No.	
56,00	72,00	10,00	A	smooth	0,05	72 NBR 902	BA	8856	●
56,00	78,00	13,00	C	metal	0,05	72 NBR 902	B2	23125	●
56,00	80,00	8,00	A	smooth	0,05	72 NBR 902	BA	2799	●
56,00	80,00	8,00	A	grooved	0,05	75 FKM 585	BAUMX7	411523	●
56,00	80,00	10,00	B	metal	0,05	72 NBR 902	B1U	19870	●
56,00	80,00	10,00	C	metal	0,05	72 NBR 902	B2U	22770	●
56,00	80,00	13,00	C	metal	0,05	72 NBR 902	B2	23126	○
56,00	85,00	8,00	A	smooth	0,05	72 NBR 902	BA	31451	●
56,00	85,00	8,00	A	grooved	0,05	75 FKM 585	BAUMX7	411524	●
56,00	85,00	8,00	A	smooth	0,02	72 NBR 902	BAFUD	523561	●
56,00	90,00	13,00	C	metal	0,05	72 NBR 902	B2	23128	●
57,00	72,00	9,00	B	metal	0,05	72 NBR 902	B1USL	520586	●
57,00	72,00	10,00	C	metal	0,05	72 NBR 902	B2U	22772	●
57,00	80,00	12,00	C	metal	0,05	72 NBR 902	B2	23129	●
57,00	85,00	10,00	C	metal	0,05	72 NBR 902	B2	22773	○
57,00	85,00	12,00	C	metal	0,05	72 NBR 902	B2	23130	●
57,00	90,00	13,00	B	metal	0,05	72 NBR 902	B1U	19873	●
57,00	90,00	13,00	C	metal	0,05	72 NBR 902	B2	23131	●
57,15	76,20	13,00	C	metal	0,05	72 NBR 902	B2	20608	●
57,15	82,55	9,50	B	metal	0,05	72 NBR 902	B1U	19874	●
58,00	72,00	8,00	B	metal	0,02	72 NBR 902	B1FUD	335183	●
58,00	72,00	8,00	A	grooved	0,05	75 FKM 585	BAUMX7	403099	●
58,00	72,00	8,00	A	smooth	0,02	72 NBR 902	BAFUD	49001629	●
58,00	72,00	8,00	AS	grooved	0,05	75 FKM 585	BAUMSLX7	49009508	●
58,00	75,00	10,00	A	grooved	0,02	72 NBR 902	BAFUDX7	334320	●
58,00	75,00	12,00	C	metal	0,02	72 NBR 902	B2FUD	334967	●
58,00	78,00	5,50	A	metal	un-pressurised	80 NBR 177458	MSC 01	508539	●
58,00	78,00	5,50	A	metal	un-pressurised	80 FKM 177459	MSC 01	508587	●
58,00	78,00	13,00	C	metal	0,05	72 NBR 902	B2U	22775	●
58,00	80,00	8,00	B	metal	0,05	72 NBR 902	B1U	14049	●
58,00	80,00	8,00	A	grooved	0,02	72 NBR 902	BAFUDX7	334839	●
58,00	80,00	8,00	A	grooved	0,05	75 FKM 585	BAUMX7	411526	●
58,00	80,00	8,00	AS	grooved	0,05	75 FKM 585	BAUMSLX7	478514	○
58,00	80,00	10,00	AS	grooved	0,02	72 NBR 902	BAFUDSLX7	12011190	●
58,00	80,00	10,00	C	metal	0,05	72 NBR 902	B2U	23133	●
58,00	80,00	10,00	CS	metal	0,05	72 NBR 902	B2USL	23431	●
58,00	80,00	10,00	A	smooth	0,05	72 NBR 902	BAU	8883	●
58,00	80,00	12,00	C	metal	0,05	72 NBR 902	B2U	23490	●
58,00	80,00	13,00	B	metal	0,05	72 NBR 902	B1U	19875	●
58,00	80,00	13,00	CS	metal	0,05	72 NBR 902	B2USL	23453	●
58,00	80,00	13,00	CS	metal	0,05	72 NBR 902	B2USL	457620	●
58,00	85,00	10,00	C	metal	0,05	72 NBR 902	B2U	22776	●
58,00	85,00	13,00	C	metal	0,05	72 NBR 902	B2	23134	●
58,00	90,00	10,00	A	smooth	0,02	72 NBR 902	BAFUD	12010996	●
58,00	90,00	13,00	C	metal	0,05	72 NBR 902	B2U	23135	●
60,00	70,00	7,00	B	metal	0,05	72 NBR 902	B1	18349	●
60,00	70,00	7,00	B	metal	un-pressurised	72 NBR 902	B1FOF	415873	○
60,00	72,00	7,00	AS	smooth	*	72 NBR 902	BABSL	377869	●
60,00	72,00	7,00	AS	smooth	*	72 NBR 902	BABSL	49001732	●
60,00	72,00	7,00	BS	metal	0,02	72 NBR 902	B1FUDSL	532633	●

● Available from stock    ○ On request: Tool is available, delivery at short notice    \* → Diagram 2, page 18



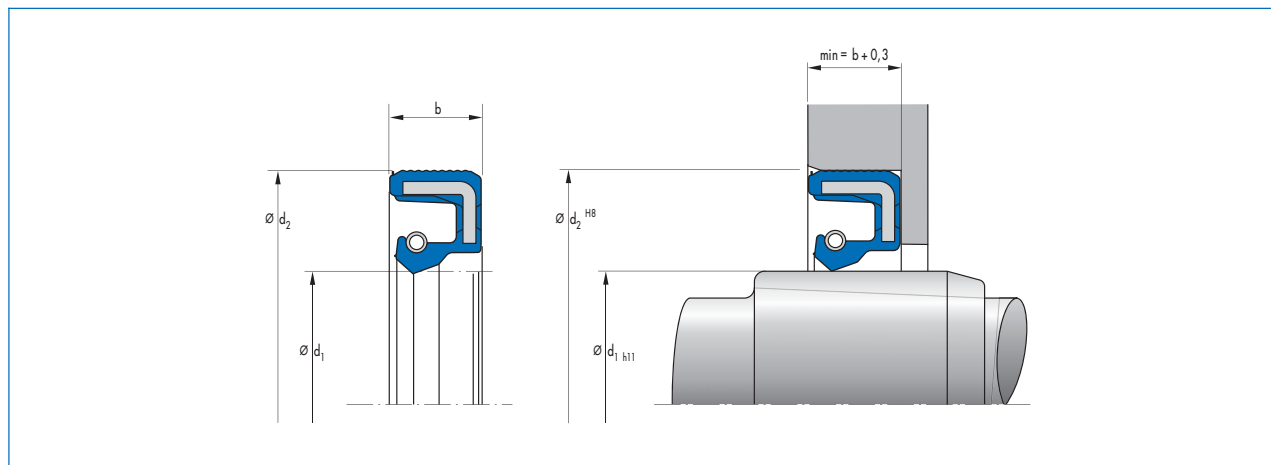
d <sub>1</sub>	d <sub>2</sub>	b	DIN 3761	Outer surface	Pressure	Material	Type	Article No.	
60,00	72,00	7,00	B	metal	0,02	72 NBR 902	B1FUD	532634	●
60,00	72,00	8,00	B	metal	0,02	72 NBR 902	B1FUD	334397	●
60,00	75,00	8,00	AS	smooth	*	72 NBR 902	BABSL	12001708	●
60,00	75,00	8,00	BS	metal	0,02	72 NBR 902	B1FUDSL	334398	●
60,00	75,00	8,00	B	metal	0,02	72 NBR 902	B1FUD	355634	●
60,00	75,00	8,00	C	metal	0,02	72 NBR 902	B2FUD	356373	●
60,00	75,00	8,00	A	smooth	0,05	72 NBR 902	BAU	390993	○
60,00	75,00	8,00	AS	grooved	0,05	75 FKM 585	BAUMSLX7	404321	●
60,00	75,00	8,00	C	metal	up to 1 MPa	PTFE F56101	B2PT	406823	●
60,00	75,00	8,00	A	grooved	0,05	75 FKM 585	BAUMX7	49015826	●
60,00	75,00	8,00	A	smooth	0,05	72 NBR 902	BAUX2	49017410	●
60,00	75,00	8,00	AS	smooth	0,05	72 NBR 902	BAUSLX2	524219	●
60,00	75,00	10,00	AS	smooth	*	75 FKM 595	BABSL	430573	●
60,00	78,00	10,00	B	metal	0,05	72 NBR 902	B1	19878	●
60,00	78,00	10,00	A	grooved	0,05	75 FKM 585	BAUMX7	49037121	●
60,00	78,00	10,00	A	smooth	0,05	72 NBR 902	BA	8909	●
60,00	78,00	13,00	C	metal	0,05	72 NBR 902	B2U	22777	●
60,00	80,00	5,50	A	metal	un-pressurised	80 NBR 177458	MSC 01	508540	●
60,00	80,00	5,50	A	metal	un-pressurised	80 FKM 177459	MSC 01	508588	●
60,00	80,00	7,00	AS	smooth	*	72 NBR 902	BABSL	335195	●
60,00	80,00	7,00	AS	smooth	*	75 FKM 595	BABSL	341551	○
60,00	80,00	7,00	AS	smooth	*	75 FKM 595	BABSL	418727	●
60,00	80,00	7,00	AS	smooth	*	75 FKM 595	BABSL	463704	○
60,00	80,00	7,00	AS	smooth	*	75 FKM 595	BABSL	529503	●
60,00	80,00	8,00	A	grooved	0,02	72 NBR 902	BAFUDX7	334321	●
60,00	80,00	8,00	B	metal	0,02	72 NBR 902	B1FUD	335117	●
60,00	80,00	8,00	C	metal	up to 1 MPa	PTFE F56101	B2PT	406825	●
60,00	80,00	8,00	AS	grooved	0,05	75 FKM 585	BAUMSLX7	407294	●
60,00	80,00	8,00	AS	smooth	0,05	72 NBR 902	BAUSLX2	49028650	●
60,00	80,00	8,00	AS	smooth	0,05	72 NBR 902	BAUSLX2	49030494	●
60,00	80,00	8,00	A	grooved	0,05	75 FKM 585	BAUMX7	520224	●
60,00	80,00	8,00	C	metal	up to 1 MPa	PTFE F56101	B2PT	529451	○
60,00	80,00	10,00	B	metal	0,02	72 NBR 902	B1FUD	334399	●
60,00	80,00	10,00	C	metal	0,02	72 NBR 902	B2FUD	334968	●
60,00	80,00	10,00	B	metal	0,05	72 NBR 902	B1U	349	○
60,00	80,00	10,00	C	metal	up to 1 MPa	PTFE F56101	B2PT	353546	○

● Available from stock    ○ On request: Tool is available, delivery at short notice    \* → Diagram 2, page 18



d <sub>1</sub>	d <sub>2</sub>	b	DIN 3761	Outer surface	Pressure	Material	Type	Article No.	
60,00	80,00	10,00	A	grooved	0,05	75 FKM 585	BAUMX7	386182	●
60,00	80,00	10,00	A	smooth	0,05	72 NBR 902	BAUX2	49020336	●
60,00	80,00	10,00	AS	smooth	0,05	72 NBR 902	BAUSLX2	529407	●
60,00	80,00	10,00	A	smooth	0,05	72 NBR 902	BAU	8920	○
60,00	80,00	10,00	AS	smooth	0,05	72 NBR 902	BASL	8927	●
60,00	80,00	12,00	B	metal	0,05	72 NBR 902	B1USL	32991	●
60,00	80,00	12,00	B	metal	0,02	72 NBR 902	B1FUD	334932	●
60,00	80,00	12,00	C	metal	0,02	72 NBR 902	B2FUD	334969	●
60,00	80,00	13,00	BS	metal	0,05	72 NBR 902	B1SL	20158	●
60,00	80,00	13,00	CS	metal	0,05	72 NBR 902	B2USL	23534	●
60,00	80,00	13,00	B	metal	0,02	72 NBR 902	B1FUD	334933	●
60,00	80,00	13,00	C	metal	0,02	72 NBR 902	B2FUD	334970	●
60,00	80,00	13,00	AS	smooth	0,05	72 NBR 902	BAUSLX2	49040138	●
60,00	82,00	7,50	A	metal	un-pressurised	80 FKM 177459	MSC 02	508614	●
60,00	82,00	7,50	A	metal	un-pressurised	80 NBR 177458	MSC 02	508638	●
60,00	85,00	8,00	AS	smooth	0,02	72 NBR 902	BAFUDSL	12011193	●
60,00	85,00	8,00	A	smooth	0,05	75 FKM 595	BAUM	121907	○
60,00	85,00	8,00	AS	smooth	*	72 NBR 902	BABSL	146437	●
60,00	85,00	8,00	A	grooved	0,02	72 NBR 902	BAFUDX7	334322	●
60,00	85,00	8,00	B	metal	0,02	72 NBR 902	B1FUD	334400	●
60,00	85,00	8,00	A	grooved	0,05	75 FKM 585	BAUMX7	389828	●
60,00	85,00	10,00	C	metal	0,02	72 NBR 902	B2FUD	334693	●
60,00	85,00	10,00	A	grooved	0,02	72 NBR 902	BAFUDX7	334842	●
60,00	85,00	10,00	AS	smooth	0,05	75 FKM 585	BAUMSL	384292	●
60,00	85,00	12,00	C	metal	0,02	72 NBR 902	B2FUD	334692	●
60,00	85,00	13,00	C	metal	0,02	72 NBR 902	B2FUD	334332	●
60,00	85,00	13,00	B	metal	0,02	72 NBR 902	B1FUD	334401	●
60,00	85,00	13,00	BS	metal	0,02	72 NBR 902	B1FUDSL	346132	●
60,00	85,00	13,00	A	smooth	0,05	72 NBR 902	BA	8941	●
60,00	90,00	8,00	AS	smooth	0,02	72 NBR 902	BAFUDSL	12011194	●
60,00	90,00	8,00	B	metal	0,02	72 NBR 902	B1FUD	334667	●
60,00	90,00	8,00	A	grooved	0,02	72 NBR 902	BAFUDX7	334844	●
60,00	90,00	8,00	A	grooved	0,05	75 FKM 585	BAUMX7	400796	●
60,00	90,00	8,00	AS	grooved	0,05	75 FKM 585	BAUMSLX7	407448	●
60,00	90,00	8,00	A	smooth	0,05	72 NBR 902	BAUX2	49037534	●
60,00	90,00	8,00	AS	smooth	0,05	72 NBR 902	BAUSLX2	524647	●
60,00	90,00	9,00	AS	smooth	0,05	72 NBR 902	BAUSLX2	522366	●
60,00	90,00	10,00	B	metal	0,05	72 NBR 902	B1USL	20160	●
60,00	90,00	10,00	C	metal	0,02	72 NBR 902	B2FUD	334353	●
60,00	90,00	10,00	B	metal	0,02	72 NBR 902	B1FUD	334666	●
60,00	90,00	10,00	A	grooved	0,05	75 FKM 585	BAUMX7	389605	●
60,00	90,00	10,00	A	smooth	0,05	72 NBR 902	BAU	8952	●
60,00	90,00	12,00	B	metal	0,02	72 NBR 902	B1FUD	334665	●
60,00	90,00	12,00	C	metal	0,02	72 NBR 902	B2FUD	334668	●
60,00	90,00	13,00	B	metal	0,05	72 NBR 902	B1USL	20161	●
60,00	90,00	13,00	A	grooved	0,02	72 NBR 902	BAFUDX7	334234	●
60,00	90,00	13,00	B	metal	0,02	72 NBR 902	B1FUD	396861	●
60,00	95,00	8,00	AS	grooved	0,05	75 FKM 585	BAUMSLX7	468761	●
60,00	95,00	10,00	AS	smooth	0,02	72 NBR 902	BAFUDSL	12000533	●
60,00	95,00	10,00	A	smooth	0,05	72 NBR 902	BAUX2	525827	●

● Available from stock    ○ On request: Tool is available, delivery at short notice    \* → Diagram 2, page 18

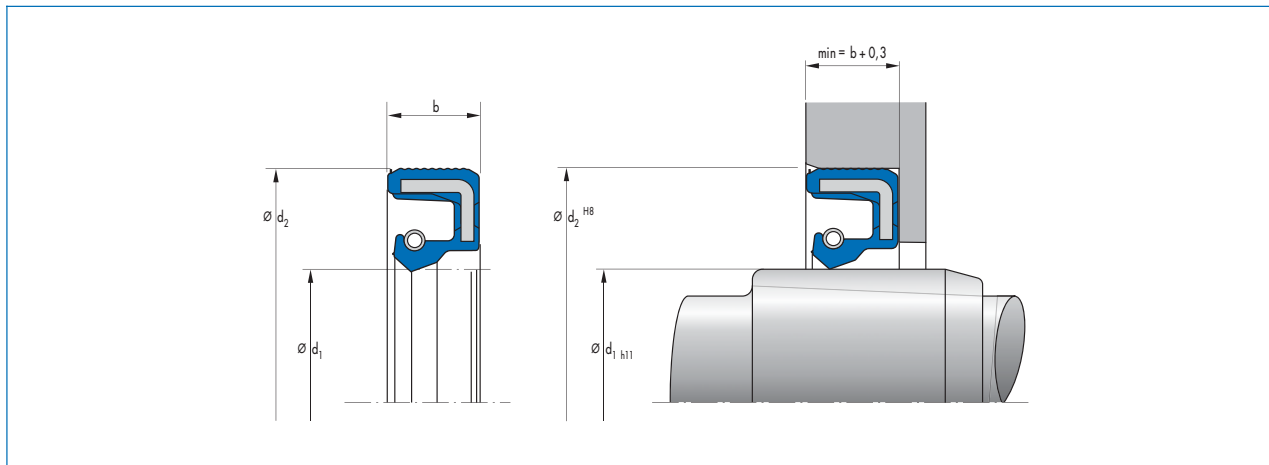


d <sub>1</sub>	d <sub>2</sub>	b	DIN 3761	Outer surface	Pressure	Material	Type	Article No.	
60,00	95,00	13,00	C	metal	0,05	72 NBR 902	B2U	23142	●
60,00	100,00	10,00	AS	smooth	0,05	72 NBR 902	BAUSLX2	49011493	●
60,00	100,00	10,00	A	grooved	0,05	75 FKM 585	BAUMX7	524450	●
60,00	100,00	10,00	A	smooth	0,05	72 NBR 902	BAU	8963	●
60,00	110,00	10,00	A	grooved	0,05	75 FKM 585	BAUMX7	478357	●
60,00	110,00	10,00	AS	smooth	0,05	72 NBR 902	BAUSLX2	479624	●
60,00	110,00	10,00	AS	smooth	0,05	75 FKM 585	BAUMSL	49012130	●
60,00	110,00	10,00	A	smooth	0,05	72 NBR 902	BAUX2	530010	●
60,00	110,00	10,00	-	smooth	0,05	72 NBR 902	MSS 7	477237	●
60,00	110,00	12,00	AS	smooth	0,05	75 FKM 585	BAUMSL	455631	●
60,00	110,00	12,00	AS	smooth	0,05	72 NBR 902	BAUSLX2	455632	●
60,00	110,00	12,00	-	smooth	0,05	72 NBR 902	MSS 1	525366	●
60,00	110,00	12,00	-	smooth	0,05	75 FKM 585	MSS 1	525369	●
60,00	110,00	13,00	A	smooth	0,05	72 NBR 902	BA	8965	●
61,00	75,00	8,00	B	metal	0,05	72 NBR 902	B1	19542	●
61,00	85,00	13,00	C	metal	0,05	72 NBR 902	B2U	23145	○
62,00	75,00	10,00	B	metal	0,05	72 NBR 902	B1	21017	●
62,00	80,00	10,00	C	metal	0,05	72 NBR 902	B2U	23148	●
62,00	80,00	10,00	A	smooth	0,05	72 NBR 902	BA	8978	●
62,00	80,00	12,00	C	metal	0,05	72 NBR 902	B2U	11647	●
62,00	82,00	5,50	A	metal	un-pressurised	80 NBR 177458	MSC 01	508544	●
62,00	82,00	5,50	A	metal	un-pressurised	80 FKM 177459	MSC 01	508589	●
62,00	85,00	7,00	AS	smooth	*	72 NBR 902	BABSL	106214	●
62,00	85,00	7,00	AS	smooth	*	75 FKM 595	BABSL	363452	●
62,00	85,00	10,00	B	metal	0,05	72 NBR 902	B1	19889	●
62,00	85,00	10,00	C	metal	0,05	72 NBR 902	B2U	23149	●
62,00	85,00	10,00	A	grooved	0,05	75 FKM 585	BAUMX7	400994	●
62,00	85,00	10,00	A	smooth	0,05	72 NBR 902	BA	8983	●
62,00	85,00	12,00	C	metal	0,05	72 NBR 902	B2	2503	●
62,00	85,00	13,00	C	metal	0,05	72 NBR 902	B2U	23150	●
62,00	85,00	13,00	CS	metal	0,05	72 NBR 902	B2USL	23433	●
62,00	90,00	10,00	C	metal	0,05	72 NBR 902	B2U	22780	●
62,00	90,00	10,00	B	metal	0,05	72 NBR 902	B1	31506	●
62,00	90,00	10,00	A	grooved	0,02	72 NBR 902	BAFUDX7	334847	●
62,00	90,00	10,00	A	grooved	0,05	75 FKM 585	BAUMX7	402395	●
62,00	90,00	10,00	AS	grooved	0,05	75 FKM 585	BAUMSLX7	520029	○

● Available from stock    ○ On request: Tool is available, delivery at short notice    \* → Diagram 2, page 18

d <sub>1</sub>	d <sub>2</sub>	b	DIN 3761	Outer surface	Pressure	Material	Type	Article No.	
62,00	90,00	10,00	A	smooth	0,05	72 NBR 902	BAU	523562	○
62,00	90,00	12,00	C	metal	0,05	72 NBR 902	B2U	23151	●
62,00	90,00	12,00	AS	smooth	0,05	72 NBR 902	BAUSLX2	470364	●
62,00	90,00	12,00	AS	smooth	0,05	75 FKM 585	BAUMSL	470365	●
62,00	90,00	12,00	–	smooth	0,05	72 NBR 902	MSS 1	525384	●
62,00	90,00	12,00	–	smooth	0,05	75 FKM 585	MSS 1	525422	●
62,00	90,00	13,00	B	metal	0,05	72 NBR 902	B1U	19890	●
62,00	95,00	13,00	B	metal	0,05	72 NBR 902	B1U	19891	●
62,00	100,00	13,00	C	metal	0,05	72 NBR 902	B2	23152	●
62,00	120,00	12,00	AS	smooth	0,05	72 NBR 902	BAUSLX2	470345	●
62,00	120,00	12,00	AS	smooth	0,05	75 FKM 585	BAUMSL	470347	●
62,00	120,00	12,00	–	smooth	0,05	72 NBR 902	MSS 1	525400	●
63,00	85,00	10,00	B	metal	0,05	72 NBR 902	B1	18195	●
63,00	85,00	10,00	C	metal	0,05	72 NBR 902	B2U	23153	●
63,00	85,00	10,00	A	smooth	0,05	72 NBR 902	BAU	2794	●
63,00	85,00	10,00	A	grooved	0,05	75 FKM 585	BAUMX7	411527	●
63,00	85,00	12,00	C	metal	0,05	72 NBR 902	B2U	14876	●
63,00	85,00	13,00	C	metal	0,05	72 NBR 902	B2	23154	●
63,00	90,00	10,00	A	smooth	0,05	72 NBR 902	BA	14877	●
63,00	90,00	10,00	AS	grooved	0,05	75 FKM 585	BAUMSLX7	410417	●
63,00	90,00	10,00	A	grooved	0,05	75 FKM 585	BAUMX7	411528	●
63,00	90,00	12,00	C	metal	0,05	72 NBR 902	B2	2792	●
63,50	82,55	9,50	C	metal	0,05	72 NBR 902	B2U	23156	●
64,00	80,00	8,00	A	smooth	0,02	72 NBR 902	BAFUD	12011006	●
64,00	80,00	8,00	B	metal	0,05	72 NBR 902	B1	121796	●
64,00	80,00	13,00	C	metal	0,05	72 NBR 902	B2	22781	●
64,00	85,00	10,00	C	metal	0,05	72 NBR 902	B2U	23545	●
64,00	85,00	13,00	C	metal	0,05	72 NBR 902	B2U	23160	●
64,00	90,00	10,00	C	metal	0,05	72 NBR 902	B2U	22782	●
64,00	90,00	10,00	AS	grooved	0,05	75 FKM 585	BAUMSLX7	532938	●
64,00	90,00	10,00	A	smooth	0,05	72 NBR 902	BA	9003	●
64,00	90,00	13,00	B	metal	0,05	72 NBR 902	B1USL	20108	●
64,00	90,00	13,00	C	metal	0,05	72 NBR 902	B2	23161	●
64,00	90,00	13,00	CS	metal	0,05	72 NBR 902	B2USL	23454	●
65,00	75,00	8,00	B	metal	un-pressurised	72 NBR 902	B1 OF	532635	●
65,00	80,00	7,00	AS	smooth	*	72 NBR 902	BABSL	12001711	●
65,00	80,00	7,00	B	metal	0,05	72 NBR 902	B1USL	37031	○
65,00	80,00	8,00	B	metal	0,02	72 NBR 902	B1FUD	334402	●
65,00	80,00	8,00	A	grooved	0,02	72 NBR 902	BAFUDX7	355414	●
65,00	80,00	8,00	B	metal	0,02	75 FKM 595	B1FUD	459463	○
65,00	80,00	8,00	AS	grooved	0,05	75 FKM 585	BAUMSLX7	474109	●
65,00	80,00	8,00	AS	grooved	0,05	72 NBR 902	BAUSLX7	49033418	○
65,00	80,00	8,00	A	grooved	0,05	75 FKM 585	BAUMX7	520225	●
65,00	80,00	10,00	C	metal	up to 1 MPa	PTFE F56101	B2PT	406826	●
65,00	85,00	5,50	A	metal	un-pressurised	80 NBR 177458	MSC 01	508546	●
65,00	85,00	5,50	A	metal	un-pressurised	80 FKM 177459	MSC 01	508590	●
65,00	85,00	10,00	AS	smooth	0,02	72 NBR 902	BAFUDSL	12011195	●
65,00	85,00	10,00	A	grooved	0,02	72 NBR 902	BAFUDX7	334324	●
65,00	85,00	10,00	B	metal	0,02	72 NBR 902	B1FUD	334375	●
65,00	85,00	10,00	C	metal	0,02	72 NBR 902	B2FUD	334697	●

● Available from stock    ○ On request: Tool is available, delivery at short notice    \* → Diagram 2, page 18

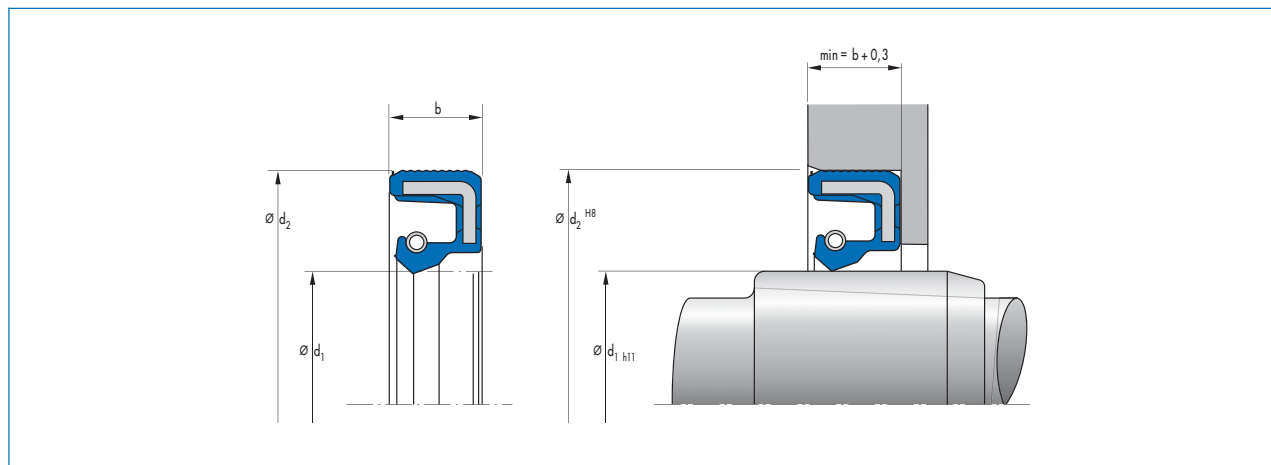


d <sub>1</sub>	d <sub>2</sub>	b	DIN 3761	Outer surface	Pressure	Material	Type	Article No.	
65,00	85,00	10,00	C	metal	0,05	75 FKM 585	B2U	389134	○
65,00	85,00	10,00	A	grooved	0,05	75 FKM 585	BAUMX7	389826	●
65,00	85,00	10,00	AS	grooved	0,05	75 FKM 585	BAUMSLX7	389999	●
65,00	85,00	10,00	B	metal	0,05	75 FKM 595	B1U	405903	○
65,00	85,00	10,00	C	metal	up to 1 MPa	PTFE F56101	B2PT	406827	●
65,00	85,00	10,00	AS	smooth	*	75 FKM 595	BABSL	49017957	○
65,00	85,00	10,00	A	smooth	0,05	72 NBR 902	BAU	9011	○
65,00	85,00	12,00	C	metal	0,02	72 NBR 902	B2FUD	334696	●
65,00	85,00	12,00	A	grooved	0,05	75 FKM 585	BAUMX7	389292	●
65,00	85,00	12,00	AS	smooth	0,05	72 NBR 902	BAUSLX2	470431	●
65,00	85,00	12,00	AS	smooth	0,05	75 FKM 585	BAUMSL	470432	●
65,00	85,00	12,00	-	smooth	0,05	72 NBR 902	MSS 1	525383	●
65,00	85,00	13,00	BS	metal	0,05	75 FKM 595	B1SL	322198	○
65,00	85,00	13,00	C	metal	0,02	72 NBR 902	B2FUD	334336	●
65,00	85,00	13,00	B	metal	0,02	72 NBR 902	B1FUD	334683	●
65,00	85,00	13,00	BS	metal	0,02	72 NBR 902	B1FUDSL	335118	●
65,00	85,00	13,00	AS	grooved	0,02	72 NBR 902	BAFUDSLX7	355410	●
65,00	85,00	13,00	A	smooth	0,05	72 NBR 902	BA	9015	●
65,00	87,00	7,50	A	metal	un-pressurised	80 FKM 177459	MSC 02	508615	●
65,00	87,00	7,50	A	metal	un-pressurised	80 NBR 177458	MSC 02	508639	●
65,00	90,00	7,00	AS	smooth	*	72 NBR 902	BABSL	146271	●
65,00	90,00	7,00	AS	smooth	*	75 FKM 595	BABSL	418822	●
65,00	90,00	8,00	AS	smooth	0,05	72 NBR 902	BAUSLX2	49017459	●
65,00	90,00	8,00	AS	smooth	0,05	75 FKM 585	BAUMSL	49017460	●
65,00	90,00	10,00	B	metal	0,05	72 NBR 902	B1USL	20163	●
65,00	90,00	10,00	B	metal	0,02	72 NBR 902	B1FUD	334662	●
65,00	90,00	10,00	C	metal	0,02	72 NBR 902	B2FUD	334664	●
65,00	90,00	10,00	A	grooved	0,05	75 FKM 585	BAUMX7	403074	●
65,00	90,00	10,00	AS	grooved	0,05	75 FKM 585	BAUMSLX7	416246	●
65,00	90,00	10,00	B	metal	0,02	72 NBR 902	B1FUD	424794	○
65,00	90,00	10,00	B	metal	0,05	72 NBR 902	B1USL	436123	○
65,00	90,00	10,00	AS	smooth	0,05	72 NBR 902	BAUSLX2	524504	●
65,00	90,00	10,00	A	smooth	0,05	72 NBR 902	BAUX2	527119	●
65,00	90,00	10,00	B	metal	0,05	75 FKM 595	B1USL	533459	○
65,00	90,00	12,00	C	metal	0,02	72 NBR 902	B2FUD	334352	●
65,00	90,00	12,00	B	metal	0,02	72 NBR 902	B1FUD	334661	●

● Available from stock    ○ On request: Tool is available, delivery at short notice    \* → Diagram 2, page 18

d <sub>1</sub>	d <sub>2</sub>	b	DIN 3761	Outer surface	Pressure	Material	Type	Article No.	
65,00	90,00	12,00	CS	metal	0,05	72 NBR 902	B2USL	34900	●
65,00	90,00	12,00	A	grooved	0,05	75 FKM 585	BAUMX7	389584	●
65,00	90,00	13,00	B	metal	0,05	72 NBR 902	B1USL	20109	●
65,00	90,00	13,00	B	metal	0,02	72 NBR 902	B1FUD	334660	●
65,00	90,00	13,00	C	metal	0,02	72 NBR 902	B2FUD	334663	●
65,00	90,00	13,00	B	metal	0,05	72 NBR 902	B1USL	523400	●
65,00	90,00	13,00	A	smooth	0,05	72 NBR 902	BA	9030	●
65,00	95,00	10,00	A	grooved	0,02	72 NBR 902	BAFUDX7	334849	●
65,00	95,00	10,00	A	grooved	0,05	75 FKM 585	BAUMX7	411733	●
65,00	95,00	13,00	C	metal	0,05	72 NBR 902	B2U	23166	●
65,00	100,00	10,00	B	metal	0,05	72 NBR 902	B1U	21164	●
65,00	100,00	10,00	C	metal	0,05	72 NBR 902	B2U	22783	●
65,00	100,00	10,00	A	grooved	0,05	75 FKM 585	BAUMX7	401003	●
65,00	100,00	10,00	AS	grooved	0,05	75 FKM 585	BAUMSLX7	410408	●
65,00	100,00	10,00	AS	grooved	0,05	72 NBR 902	BAUSLX7	451669	●
65,00	100,00	10,00	A	smooth	0,02	72 NBR 902	BAFUD	49001654	●
65,00	100,00	10,00	AS	smooth	0,05	72 NBR 902	BAUSLX2	49001671	●
65,00	100,00	10,00	-	smooth	0,05	72 NBR 902	MSS 7	522350	●
65,00	100,00	12,00	C	metal	0,05	72 NBR 902	B2	19775	●
65,00	100,00	12,00	AS	smooth	0,05	72 NBR 902	BAUSLX2	470433	●
65,00	100,00	12,00	AS	smooth	0,05	75 FKM 585	BAUMSL	470434	●
65,00	100,00	12,00	A	smooth	0,05	72 NBR 902	BA	9041	●
65,00	100,00	12,00	-	smooth	0,05	72 NBR 902	MSS 1	525394	●
65,00	100,00	12,00	-	smooth	0,05	75 FKM 585	MSS 1	525426	●
65,00	100,00	13,00	C	metal	0,05	72 NBR 902	B2U	23167	●
65,00	100,00	13,00	BS	metal	0,02	72 NBR 902	B1FUDSL	335119	●
65,00	110,00	10,00	AS	smooth	0,05	72 NBR 902	BAUSLX2	522256	●
65,00	120,00	10,00	A	grooved	0,05	72 NBR 902	BAUX27	450736	●
65,00	120,00	10,00	AS	grooved	0,05	72 NBR 902	BAUSLX27	450737	●
65,00	120,00	10,00	AS	smooth	0,05	75 FKM 585	BAUMSL	49011962	●
65,00	120,00	10,00	A	smooth	0,05	75 FKM 585	BAUM	49012129	●
65,00	120,00	10,00	AS	smooth	0,05	72 NBR 902	BAUSLX2	49037439	●
65,00	120,00	10,00	A	smooth	0,05	72 NBR 902	BAUX2	49037440	●
65,00	120,00	12,00	AS	smooth	0,05	75 FKM 585	BAUMSL	455633	●
65,00	120,00	12,00	AS	smooth	0,05	72 NBR 902	BAUSLX2	455634	●
65,00	120,00	12,00	-	smooth	0,05	72 NBR 902	MSS 1	525367	●
65,00	120,00	12,00	-	smooth	0,05	75 FKM 585	MSS 1	525370	●
65,00	140,00	12,00	AS	smooth	0,05	75 FKM 585	BAUMSL	455635	●
65,00	140,00	12,00	AS	smooth	0,05	72 NBR 902	BAUSLX2	455636	●
65,00	140,00	12,00	A	smooth	0,05	72 NBR 902	BAUX2	475367	●
65,00	140,00	12,00	-	smooth	0,05	72 NBR 902	MSS 1	525368	●
66,00	90,00	13,00	C	metal	0,05	72 NBR 902	B2	23171	●
67,00	80,00	10,00	B	metal	0,05	72 NBR 902	B1	21022	●
67,00	85,00	10,00	C	metal	0,02	72 NBR 902	B2FUD	334972	●
67,00	85,00	10,00	C	metal	0,05	72 NBR 902	B2U	415598	●
67,00	90,00	10,00	C	metal	0,05	72 NBR 902	B2	22784	●
67,00	90,00	10,00	A	smooth	0,05	72 NBR 902	BAUSL	464665	○
67,00	90,00	10,00	AS	grooved	0,05	75 FKM 585	BAUMSLX7	531790	●
67,00	90,00	13,00	C	metal	0,05	72 NBR 902	B2	23174	●
68,00	78,00	7,00	B	metal	0,05	72 NBR 902	B1	26008	●

● Available from stock    ○ On request: Tool is available, delivery at short notice    \* → Diagram 2, page 18

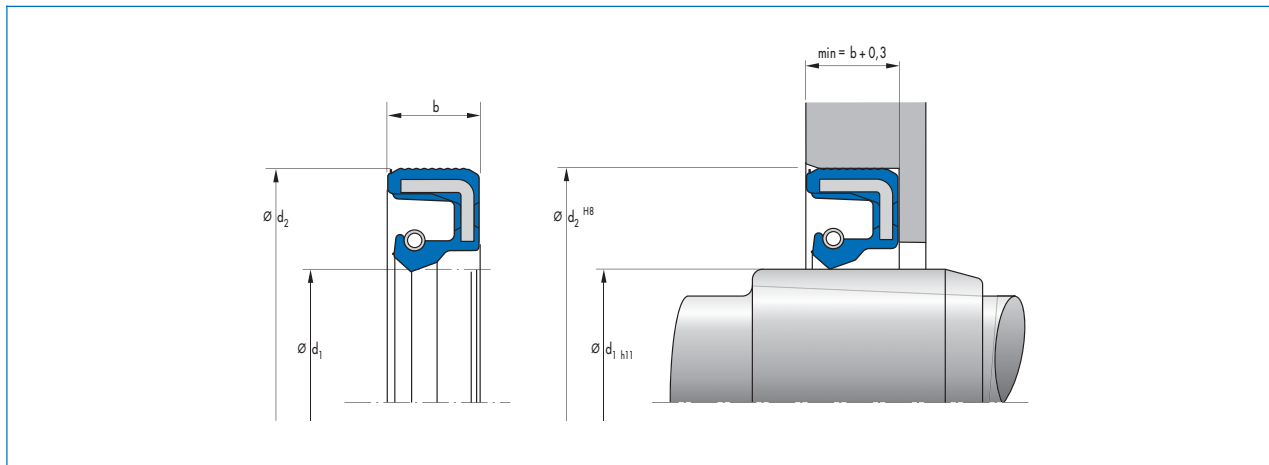


d <sub>1</sub>	d <sub>2</sub>	b	DIN 3761	Outer surface	Pressure	Material	Type	Article No.	
68,00	80,00	7,00	AS	smooth	*	72 NBR 902	BABSL	323546	○
68,00	85,00	10,00	B	metal	0,02	72 NBR 902	B1FUD	334403	●
68,00	85,00	10,00	A	grooved	0,02	72 NBR 902	BAFUDX7	411221	●
68,00	87,00	8,00	AS	smooth	0,02	72 NBR 902	BAFUDSL	12011197	●
68,00	88,00	5,50	A	metal	un-pressurised	80 NBR 177458	MSC 01	508547	●
68,00	88,00	5,50	A	metal	un-pressurised	80 FKM 177459	MSC 01	508591	●
68,00	90,00	10,00	AS	smooth	*	72 NBR 902	BABSL	12011532	●
68,00	90,00	10,00	C	metal	0,05	72 NBR 902	B2	23176	●
68,00	90,00	10,00	B	metal	0,05	72 NBR 902	B1U	23827	●
68,00	90,00	10,00	A	grooved	0,02	72 NBR 902	BAFUDX7	355406	●
68,00	90,00	10,00	CS	metal	0,05	72 NBR 902	B2SL	38056	●
68,00	90,00	10,00	A	grooved	0,05	75 FKM 585	BAUMX7	389793	●
68,00	90,00	10,00	AS	grooved	0,05	75 FKM 585	BAUMSLX7	407291	●
68,00	90,00	10,00	B	metal	0,05	72 NBR 902	B1USL	66622	●
68,00	90,00	10,00	A	smooth	0,05	72 NBR 902	BAUSL	9060	●
68,00	90,00	12,00	C	metal	0,05	72 NBR 902	B2U	23177	●
68,00	90,00	13,00	B	metal	0,05	72 NBR 902	B1U	19904	●
68,00	90,00	13,00	BS	metal	0,02	72 NBR 902	B1FUDSL	335120	●
68,00	95,00	13,00	C	metal	0,05	72 NBR 902	B2U	23178	●
68,00	100,00	10,00	C	metal	0,05	72 NBR 902	B2	23180	●
68,00	100,00	10,00	A	grooved	0,05	75 FKM 585	BAUMX7	411777	●
68,00	100,00	10,00	A	smooth	0,05	72 NBR 902	BA	9062	●
68,00	100,00	12,00	C	metal	0,05	72 NBR 902	B2U	23179	●
69,00	90,00	10,00	A	smooth	0,05	72 NBR 902	BAU	9066	●
69,85	104,75	14,20	AS	smooth	0,05	75 FKM 595	BAUMSL	429414	○
70,00	80,00	8,00	BS	metal	0,02	72 NBR 902	B1FUDSL	456301	●
70,00	85,00	7,00	A	grooved	0,02	72 NBR 902	BAFUDX7	355485	●
70,00	85,00	8,00	B	metal	0,02	72 NBR 902	B1FUD	334267	●
70,00	85,00	8,00	A	grooved	0,02	72 NBR 902	BAFUDX7	334851	●
70,00	85,00	8,00	BS	metal	0,02	72 NBR 902	B1FUDSL	346133	●
70,00	85,00	8,00	A	grooved	0,05	75 FKM 585	BAUMX7	407045	●
70,00	85,00	8,00	AS	smooth	0,05	72 NBR 902	BAUSLX2	524145	●
70,00	85,00	8,00	AS	grooved	0,05	75 FKM 585	BAUMSLX7	532958	●
70,00	88,00	6,50	AS	smooth	*	72 NBR 902	BABSL	355823	○
70,00	90,00	5,50	A	metal	un-pressurised	80 NBR 177458	MSC 01	508548	●
70,00	90,00	5,50	A	metal	un-pressurised	80 FKM 177459	MSC 01	508592	●

● Available from stock    ○ On request: Tool is available, delivery at short notice    \* → Diagram 2, page 18

d <sub>1</sub>	d <sub>2</sub>	b	DIN 3761	Outer surface	Pressure	Material	Type	Article No.	
70,00	90,00	7,00	AS	smooth	*	72 NBR 902	BABSL	3059	●
70,00	90,00	7,00	AS	smooth	*	75 FKM 595	BABSL	49008932	●
70,00	90,00	10,00	B	metal	0,02	72 NBR 902	B1FUD	334647	●
70,00	90,00	10,00	C	metal	0,02	72 NBR 902	B2FUD	334651	●
70,00	90,00	10,00	A	grooved	0,02	72 NBR 902	BAFUDX7	355432	●
70,00	90,00	10,00	A	grooved	0,05	75 FKM 585	BAUMX7	376664	●
70,00	90,00	10,00	AS	grooved	0,05	72 NBR 902	BAUSLX7	376900	○
70,00	90,00	10,00	C	metal	up to 1 MPa	PTFE F56101	B2PT	406771	●
70,00	90,00	10,00	B	metal	0,05	72 NBR 902	B1USL	426882	○
70,00	90,00	10,00	AS	grooved	0,05	75 FKM 585	BAUMSLX7	520226	●
70,00	90,00	10,00	AS	smooth	0,05	72 NBR 902	BAUSLX2	524198	●
70,00	90,00	10,00	A	smooth	0,05	72 NBR 902	BAU	9095	●
70,00	90,00	12,00	B	metal	0,02	72 NBR 902	B1FUD	334649	●
70,00	90,00	12,00	C	metal	0,02	72 NBR 902	B2FUD	334650	●
70,00	90,00	12,00	A	grooved	0,05	75 FKM 585	BAUMX7	388870	●
70,00	90,00	12,00	AS	smooth	0,05	75 FKM 585	BAUMSL	455637	●
70,00	90,00	12,00	AS	smooth	0,05	72 NBR 902	BAUSLX2	455638	●
70,00	90,00	12,00	A	smooth	0,05	72 NBR 902	BAUX2	520465	●
70,00	90,00	12,00	-	smooth	0,05	72 NBR 902	MSS 1	525376	●
70,00	90,00	13,00	CS	metal	0,05	72 NBR 902	B2USL	23457	●
70,00	90,00	13,00	C	metal	0,02	72 NBR 902	B2FUD	334358	●
70,00	90,00	13,00	B	metal	0,02	72 NBR 902	B1FUD	334648	●
70,00	90,00	13,00	BS	metal	0,05	72 NBR 902	B1SL	7534	●
70,00	90,00	13,00	A	smooth	0,05	72 NBR 902	BAU	9101	●
70,00	90,00	13,00	A	smooth	0,05	72 NBR 902	BAUSL	9102	●
70,00	92,00	7,50	A	metal	un-pressurised	80 FKM 177459	MSC 02	508616	●
70,00	92,00	7,50	A	metal	un-pressurised	80 NBR 177458	MSC 02	508640	●
70,00	95,00	8,00	B	metal	0,02	72 NBR 902	B1FUD	310667	●
70,00	95,00	10,00	C	metal	0,05	72 NBR 902	B2U	22786	●
70,00	95,00	10,00	A	smooth	0,05	72 NBR 902	BAU	523551	○
70,00	95,00	10,00	A	smooth	0,05	72 NBR 902	BAU	9106	●
70,00	95,00	12,00	AS	grooved	0,05	75 FKM 585	BAUMSLX7	405449	●
70,00	95,00	13,00	B	metal	0,05	72 NBR 902	B1	19909	●
70,00	95,00	13,00	C	metal	0,05	72 NBR 902	B2U	23185	●
70,00	95,00	13,00	BS	metal	0,05	72 NBR 902	B1SL	49010593	●
70,00	95,00	13,00	A	smooth	0,05	72 NBR 902	BAU	9108	●
70,00	98,00	13,00	C	metal	0,05	72 NBR 902	B2	23186	●
70,00	100,00	6,00	A	smooth	0,05	72 NBR 902	BA	9110	●
70,00	100,00	10,00	A	grooved	0,02	72 NBR 902	BAFUDX7	334325	●
70,00	100,00	10,00	B	metal	0,02	72 NBR 902	B1FUD	334699	●
70,00	100,00	10,00	C	metal	0,02	72 NBR 902	B2FUD	334702	●
70,00	100,00	10,00	A	smooth	0,05	72 NBR 902	BAU	340877	○
70,00	100,00	10,00	A	grooved	0,05	75 FKM 585	BAUMX7	398035	●
70,00	100,00	10,00	C	metal	up to 1 MPa	PTFE F56101	B2PT	406829	●
70,00	100,00	10,00	AS	smooth	0,05	72 NBR 902	BAUSLX2	522359	●
70,00	100,00	10,00	A	smooth	0,05	72 NBR 902	BAU	523842	○
70,00	100,00	10,00	AS	grooved	0,05	75 FKM 585	BAUMSLX7	524105	●
70,00	100,00	12,00	C	metal	0,02	72 NBR 902	B2FUD	334338	●
70,00	100,00	12,00	A	smooth	0,02	72 NBR 902	BAFUD	523564	●
70,00	100,00	13,00	B	metal	0,02	72 NBR 902	B1FUD	334698	●

● Available from stock    ○ On request: Tool is available, delivery at short notice    \* → Diagram 2, page 18



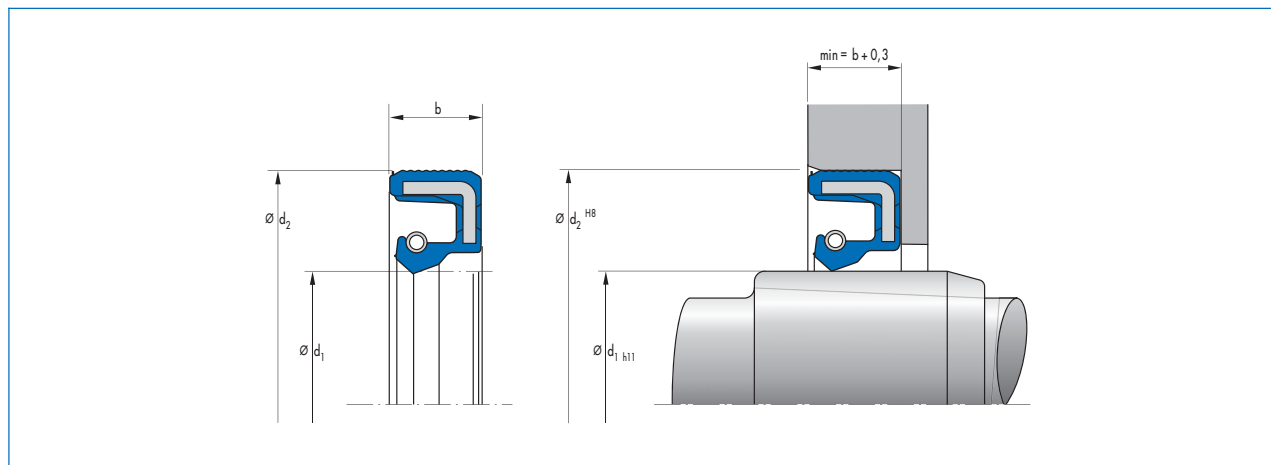
d <sub>1</sub>	d <sub>2</sub>	b	DIN 3761	Outer surface	Pressure	Material	Type	Article No.	
70,00	100,00	13,00	C	metal	0,02	72 NBR 902	B2FUD	334700	●
70,00	100,00	13,00	A	smooth	0,05	72 NBR 902	BAU	9122	●
70,00	105,00	13,00	C	metal	0,05	72 NBR 902	B2	23189	●
70,00	110,00	8,00	A	smooth	0,05	75 FKM 585	BAUM	49012067	●
70,00	110,00	8,00	A	smooth	0,05	72 NBR 902	BAUX2	49033018	●
70,00	110,00	8,00	A	smooth	0,05	72 NBR 902	BAU	9128	●
70,00	110,00	10,00	AS	grooved	0,05	72 NBR 902	BAUSLX7	377886	●
70,00	110,00	12,00	AS	smooth	0,05	75 FKM 585	BAUMSL	455639	●
70,00	110,00	12,00	AS	smooth	0,05	72 NBR 902	BAUSLX2	455641	●
70,00	110,00	12,00	-	smooth	0,05	72 NBR 902	MSS 1	525375	●
70,00	110,00	13,00	B	metal	0,05	72 NBR 902	B1U	19912	●
70,00	110,00	13,00	C	metal	0,05	72 NBR 902	B2	23190	●
70,00	110,00	13,00	AS	grooved	0,02	72 NBR 902	BAFUDSLX7	407536	●
70,00	110,00	13,00	A	smooth	0,05	72 NBR 902	BAU	9130	●
70,00	115,00	16,00	A	smooth	0,05	72 NBR 902	BA	306770	●
70,00	120,00	10,00	AS	grooved	0,02	72 NBR 902	BAFUDSLX7	452953	●
70,00	125,00	12,00	AS	smooth	0,05	72 NBR 902	BAUSLX2	49011092	●
70,00	125,00	12,00	A	smooth	0,05	72 NBR 902	BAUX2	49011093	●
70,00	130,00	10,00	AS	smooth	0,05	72 NBR 902	BAUSLX2	479457	●
70,00	130,00	10,00	A	smooth	0,05	72 NBR 902	BAUX2	479458	●
70,00	130,00	10,00	AS	smooth	0,05	75 FKM 585	BAUMSL	49011951	●
70,00	130,00	10,00	A	smooth	0,05	75 FKM 585	BAUM	49012128	●
70,00	130,00	10,00	-	smooth	0,05	72 NBR 902	MSS 7	522285	●
70,00	130,00	12,00	AS	smooth	0,05	72 NBR 902	BAUSLX2	477908	●
72,00	84,00	7,00	B	metal	0,05	72 NBR 902	B1	23821	●
72,00	84,00	7,00	A	grooved	0,05	75 FKM 585	BAUMX7	410718	●
72,00	84,00	18,00	B	metal	0,02	72 NBR 902	B1FUD	408294	●
72,00	90,00	10,00	C	metal	0,05	72 NBR 902	B2U	22788	●
72,00	90,00	10,00	A	smooth	0,05	75 FKM 595	BAUM	418071	○
72,00	90,00	10,00	A	smooth	0,05	72 NBR 902	BAUX2	49025290	●
72,00	90,00	10,00	A	smooth	0,05	72 NBR 902	BA	9137	●
72,00	90,00	13,00	C	metal	0,05	72 NBR 902	B2U	22789	●
72,00	92,00	5,50	A	metal	un-pressurised	80 NBR 177458	MSC 01	508549	●
72,00	92,00	5,50	A	metal	un-pressurised	80 FKM 177459	MSC 01	508593	●
72,00	95,00	10,00	B	metal	0,05	72 NBR 902	B1U	10761	●
72,00	95,00	10,00	C	metal	0,05	72 NBR 902	B2U	23192	●

● Available from stock    ○ On request: Tool is available, delivery at short notice    \* → Diagram 2, page 18



d <sub>1</sub>	d <sub>2</sub>	b	DIN 3761	Outer surface	Pressure	Material	Type	Article No.	
72,00	95,00	10,00	A	grooved	0,02	72 NBR 902	BAFUDX7	366669	●
72,00	95,00	10,00	A	grooved	0,05	75 FKM 585	BAUMX7	411780	●
72,00	95,00	10,00	AS	grooved	0,02	72 NBR 902	BAFUDSLX7	437162	●
72,00	95,00	12,00	C	metal	0,05	72 NBR 902	B2U	2634	●
72,00	95,00	12,00	AS	smooth	0,05	72 NBR 902	BAUSLX2	470366	●
72,00	95,00	12,00	AS	smooth	0,05	75 FKM 585	BAUMSL	470367	●
72,00	95,00	12,00	-	smooth	0,05	72 NBR 902	MSS 1	525386	●
72,00	95,00	12,00	-	smooth	0,05	75 FKM 585	MSS 1	525423	●
72,00	95,00	13,00	B	metal	0,05	72 NBR 902	B1U	19914	●
72,00	95,00	13,00	C	metal	0,05	75 FKM 595	B2	322085	○
72,00	95,00	13,00	BS	metal	0,05	72 NBR 902	B1SL	3513	●
72,00	95,00	13,00	C	metal	0,05	72 NBR 902	B2U	4774	●
72,00	100,00	10,00	B	metal	0,05	72 NBR 902	B1	19915	●
72,00	100,00	10,00	C	metal	0,05	72 NBR 902	B2U	23194	●
72,00	100,00	10,00	A	grooved	0,05	75 FKM 585	BAUMX7	401034	●
72,00	100,00	10,00	C	metal	up to 1 MPa	PTFE F56101	B2PT	406831	●
72,00	100,00	10,00	AS	grooved	0,05	75 FKM 585	BAUMSLX7	407289	●
72,00	100,00	10,00	A	smooth	0,05	72 NBR 902	BAU	523565	○
72,00	100,00	10,00	A	smooth	0,05	72 NBR 902	BAU	9142	●
72,00	100,00	12,00	C	metal	0,05	72 NBR 902	B2	16196	●
72,00	100,00	12,00	A	grooved	0,02	72 NBR 902	BAFUDX7	520460	●
72,00	100,00	13,00	C	metal	0,05	72 NBR 902	B2	23195	●
72,00	105,00	13,00	B	metal	0,05	72 NBR 902	B1USL	153821	●
72,00	105,00	13,00	C	metal	0,05	72 NBR 902	B2	23196	●
72,00	110,00	13,00	C	metal	0,05	72 NBR 902	B2	23197	●
72,00	130,00	12,00	AS	smooth	0,05	72 NBR 902	BAUSLX2	523524	●
72,00	140,00	12,00	AS	smooth	0,05	72 NBR 902	BAUSLX2	470349	●
72,00	140,00	12,00	AS	smooth	0,05	75 FKM 585	BAUMSL	470351	●
72,00	140,00	12,00	-	smooth	0,05	72 NBR 902	MSS 1	525403	●
72,00	140,00	12,00	-	smooth	0,05	75 FKM 585	MSS 1	525432	●
73,00	95,00	10,00	C	metal	0,05	72 NBR 902	B2U	22790	●
73,00	100,00	13,00	C	metal	0,05	72 NBR 902	B2	23198	●
73,03	95,25	12,70	BS	metal	0,02	72 NBR 902	B1FUDSL	402902	○
74,00	90,00	10,00	C	metal	0,05	72 NBR 902	B2U	22792	●
74,00	90,00	10,00	A	smooth	0,05	72 NBR 902	BA	9149	●
74,00	95,00	10,00	C	metal	0,05	72 NBR 902	B2U	22793	●
74,00	95,00	10,00	A	grooved	0,02	72 NBR 902	BAFUDX7	334852	●
74,00	100,00	13,00	C	metal	0,05	72 NBR 902	B2	23200	●
75,00	90,00	8,00	A	smooth	0,05	72 NBR 902	BAUX2	49024277	●
75,00	90,00	8,00	A	grooved	0,05	75 FKM 585	BAUMX7	520865	●
75,00	90,00	8,00	A	smooth	0,05	72 NBR 902	BAU	9157	●
75,00	90,00	10,00	AS	smooth	*	72 NBR 902	BABSL	12001716	●
75,00	90,00	10,00	A	grooved	0,05	75 FKM 585	BAUMX7	435005	●
75,00	90,00	10,00	AS	grooved	0,05	75 FKM 585	BAUMSLX7	468762	●
75,00	90,00	12,00	C	metal	0,05	72 NBR 902	B2U	22795	●
75,00	90,00	15,00	A	smooth	0,05	72 NBR 902	BADUO	9162	○
75,00	95,00	5,50	A	metal	un-pressurised	80 NBR 177458	MSC 01	508550	●
75,00	95,00	5,50	A	metal	un-pressurised	80 FKM 177459	MSC 01	508594	●
75,00	95,00	7,00	AS	smooth	*	72 NBR 902	BABSL	122853	●
75,00	95,00	7,00	AS	smooth	*	75 FKM 595	BABSL	354069	●

● Available from stock    ○ On request: Tool is available, delivery at short notice    \* → Diagram 2, page 18

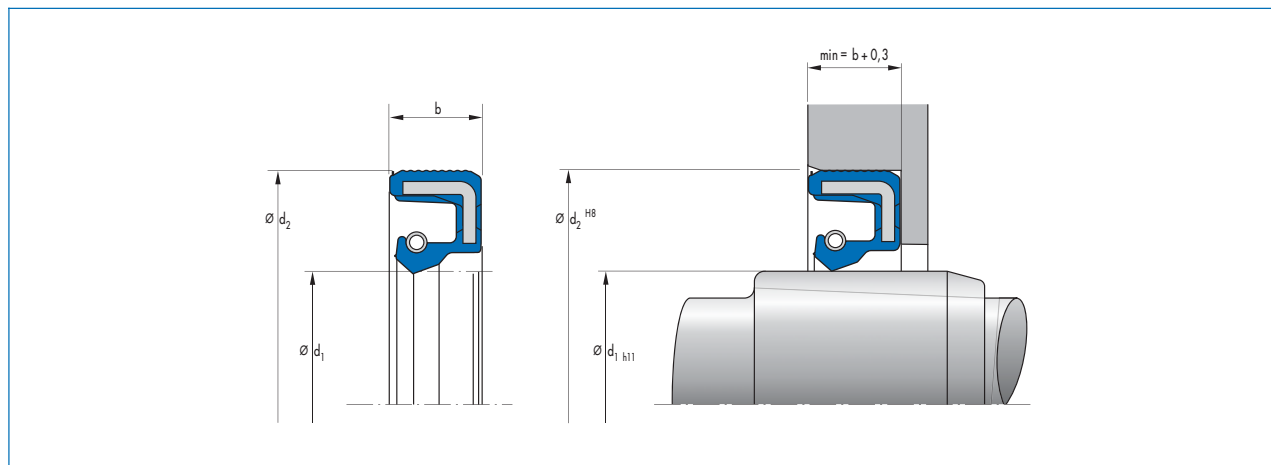


d <sub>1</sub>	d <sub>2</sub>	b	DIN 3761	Outer surface	Pressure	Material	Type	Article No.	
75,00	95,00	9,00	AS	smooth	0,02	72 NBR 902	BAFUDSL	417887	●
75,00	95,00	9,00	AS	smooth	0,05	72 NBR 902	BASL	61875	●
75,00	95,00	10,00	AS	smooth	0,02	72 NBR 902	BAFUDSL	12011201	●
75,00	95,00	10,00	BS	metal	0,02	72 NBR 902	B1FUDSL	334382	●
75,00	95,00	10,00	C	metal	0,02	72 NBR 902	B2FUD	334596	●
75,00	95,00	10,00	B	metal	0,02	72 NBR 902	B1FUD	334598	●
75,00	95,00	10,00	AS	smooth	*	75 FKM 595	BABSL	372629	●
75,00	95,00	10,00	A	grooved	0,05	75 FKM 585	BAUMX7	402396	●
75,00	95,00	10,00	C	metal	up to 1 MPa	PTFE F56101	B2PT	406832	●
75,00	95,00	10,00	A	smooth	0,05	72 NBR 902	BAUX2	49017472	●
75,00	95,00	10,00	AS	grooved	0,05	75 FKM 585	BAUMSLX7	521009	●
75,00	95,00	12,00	B	metal	0,05	72 NBR 902	B1USL	150288	●
75,00	95,00	12,00	C	metal	0,02	72 NBR 902	B2FUD	334595	●
75,00	95,00	12,00	A	grooved	0,05	75 FKM 585	BAUMX7	389609	●
75,00	95,00	12,00	AS	smooth	0,05	72 NBR 902	BAUSLX2	524699	●
75,00	95,00	12,00	A	smooth	0,05	72 NBR 902	BAU	9172	●
75,00	95,00	13,00	C	metal	0,05	72 NBR 902	B2	22839	●
75,00	95,00	13,00	B	metal	0,02	72 NBR 902	B1FUD	334597	●
75,00	97,00	7,50	A	metal	un-pressurised	80 FKM 177459	MSC 02	508617	●
75,00	97,00	7,50	A	metal	un-pressurised	80 NBR 177458	MSC 02	508641	●
75,00	100,00	10,00	C	metal	0,02	72 NBR 902	B2FUD	334331	●
75,00	100,00	10,00	B	metal	0,02	72 NBR 902	B1FUD	334539	●
75,00	100,00	10,00	A	grooved	0,05	75 FKM 585	BAUMX7	398031	●
75,00	100,00	10,00	AS	grooved	0,05	75 FKM 585	BAUMSLX7	407279	●
75,00	100,00	10,00	AS	smooth	0,05	72 NBR 902	BAUSLX2	524653	●
75,00	100,00	10,00	A	smooth	0,05	72 NBR 902	BAUX2	525285	●
75,00	100,00	10,00	C	metal	up to 1 MPa	PTFE F56101	B2PT	526214	●
75,00	100,00	10,00	C	metal	up to 1 MPa	PTFE F56101	B2PT	529452	○
75,00	100,00	11,00	AS	smooth	*	72 NBR 902	BABSL	477396	●
75,00	100,00	11,00	AS	smooth	*	75 FKM 595	BABSL	523594	●
75,00	100,00	12,00	AS	grooved	0,02	72 NBR 902	BAFUDSLX7	334855	●
75,00	100,00	12,00	B	metal	0,02	72 NBR 902	B1FUD	334934	●
75,00	100,00	12,00	C	metal	0,02	72 NBR 902	B2FUD	334973	●
75,00	100,00	12,00	A	grooved	0,05	75 FKM 585	BAUMX7	389296	●
75,00	100,00	13,00	C	metal	0,05	72 NBR 902	B2	23529	●
75,00	100,00	13,00	BS	metal	0,02	72 NBR 902	B1FUDSL	334405	●

● Available from stock    ○ On request: Tool is available, delivery at short notice    \* → Diagram 2, page 18

d <sub>1</sub>	d <sub>2</sub>	b	DIN 3761	Outer surface	Pressure	Material	Type	Article No.	
75,00	100,00	13,00	CS	metal	0,02	72 NBR 902	B2FUDSL	334974	●
75,00	100,00	13,00	A	smooth	0,05	72 NBR 902	BAU	9189	●
75,00	105,00	12,00	A	smooth	0,02	72 NBR 902	BAFUD	12011023	●
75,00	105,00	13,00	B	metal	0,05	72 NBR 902	B1	19924	●
75,00	105,00	13,00	C	metal	0,05	72 NBR 902	B2U	23207	●
75,00	110,00	12,00	A	smooth	0,02	72 NBR 902	BAFUD	12011024	●
75,00	110,00	13,00	AS	smooth	0,02	72 NBR 902	BAFUDSL	12000542	●
75,00	110,00	13,00	B	metal	0,05	72 NBR 902	B1U	19925	●
75,00	110,00	13,00	C	metal	0,05	72 NBR 902	B2U	23208	●
75,00	115,00	12,00	AS	smooth	0,05	72 NBR 902	BAUSLX2	475360	●
75,00	115,00	12,00	AS	grooved	0,05	75 FKM 585	BAUMSLX7	477664	●
75,00	115,00	13,00	C	metal	0,02	72 NBR 902	B2FUD	335192	●
75,00	120,00	12,00	A	grooved	0,05	72 NBR 902	BAUX27	450738	●
75,00	120,00	12,00	AS	grooved	0,05	72 NBR 902	BAUSLX27	451194	●
75,00	120,00	12,00	AS	smooth	0,05	75 FKM 585	BAUMSL	49012063	●
75,00	120,00	12,00	A	smooth	0,05	75 FKM 585	BAUM	49013714	●
75,00	125,00	12,00	AS	smooth	0,05	75 FKM 595	BAUMSL	474897	○
75,00	130,00	10,00	AS	smooth	0,05	72 NBR 902	BAUSLX2	477279	●
75,00	130,00	12,00	AS	smooth	0,05	75 FKM 585	BAUMSL	455642	●
75,00	130,00	12,00	AS	smooth	0,05	72 NBR 902	BAUSLX2	455643	●
75,00	130,00	12,00	-	smooth	0,05	72 NBR 902	MSS 1	525377	●
76,00	95,00	10,00	B	metal	0,05	72 NBR 902	B1	19927	●
76,00	100,00	10,00	A	smooth	0,05	72 NBR 902	BAU	9198	●
76,00	100,00	13,00	C	metal	0,05	72 NBR 902	B2	23210	●
76,00	110,00	13,00	C	metal	0,05	72 NBR 902	B2	23212	●
76,20	101,60	11,90	C	metal	0,05	72 NBR 902	B2U	23213	●
77,00	95,00	10,00	C	metal	0,05	72 NBR 902	B2U	22797	●
77,00	100,00	10,00	C	metal	0,05	72 NBR 902	B2U	22798	●
78,00	95,00	13,00	C	metal	0,05	72 NBR 902	B2	22799	●
78,00	98,00	5,50	A	metal	un-pressurised	80 NBR 177458	MSC 01	508551	●
78,00	98,00	5,50	A	metal	un-pressurised	80 FKM 177459	MSC 01	508595	●
78,00	100,00	10,00	C	metal	0,05	72 NBR 902	B2	22800	●
78,00	100,00	10,00	B	metal	0,05	72 NBR 902	B1	31819	●
78,00	100,00	10,00	A	grooved	0,05	75 FKM 585	BAUMX7	401025	●
78,00	100,00	10,00	A	smooth	0,05	72 NBR 902	BAU	9204	●
78,00	100,00	12,00	C	metal	0,05	72 NBR 902	B2	23214	●
78,00	100,00	13,00	BS	metal	0,05	72 NBR 902	B1SL	20173	●
78,00	105,00	13,00	C	metal	0,05	72 NBR 902	B2	23215	●
78,00	110,00	13,00	C	metal	0,05	72 NBR 902	B2	23216	●
80,00	90,00	5,00	A	smooth	un-pressurised	72 NBR 902	BAOF	389266	●
80,00	95,00	5,00	A	smooth	un-pressurised	72 NBR 902	BAOF	349011	●
80,00	95,00	10,00	C	metal	0,05	72 NBR 902	B2U	106305	●
80,00	100,00	5,50	A	metal	un-pressurised	80 NBR 177458	MSC 01	508552	●
80,00	100,00	5,50	A	metal	un-pressurised	80 FKM 177459	MSC 01	508597	●
80,00	100,00	7,00	AS	smooth	*	75 FKM 595	BABSL	390171	●
80,00	100,00	7,00	AS	smooth	*	72 NBR 902	BABSL	49001653	●
80,00	100,00	7,50	B	metal	0,05	72 NBR 902	B1USL	37041	○
80,00	100,00	10,00	C	metal	0,02	72 NBR 902	B2FUD	334355	●
80,00	100,00	10,00	B	metal	0,02	72 NBR 902	B1FUD	334406	●
80,00	100,00	10,00	A	grooved	0,05	75 FKM 585	BAUMX7	398029	●

● Available from stock    ○ On request: Tool is available, delivery at short notice    \* → Diagram 2, page 18

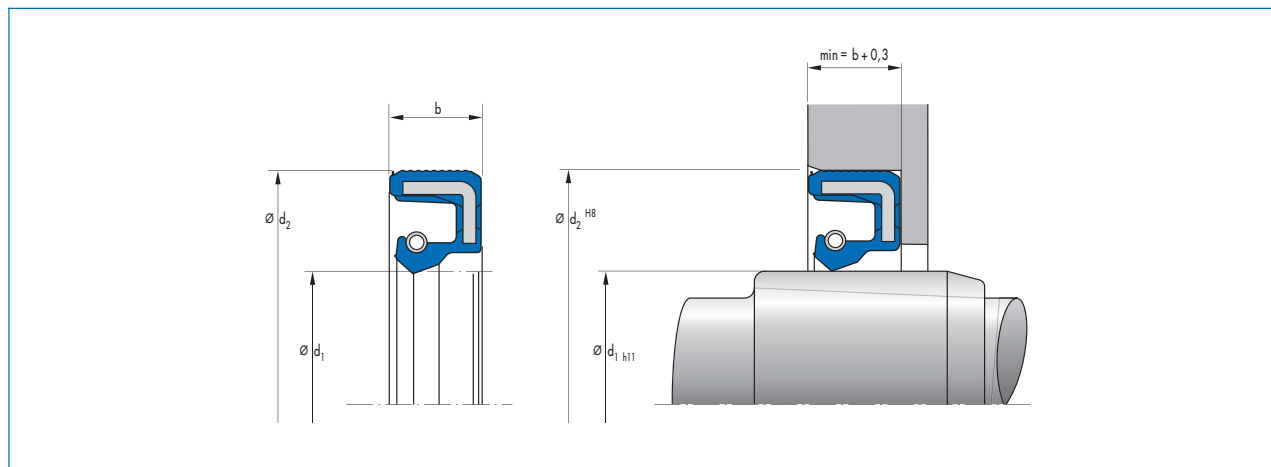


d <sub>1</sub>	d <sub>2</sub>	b	DIN 3761	Outer surface	Pressure	Material	Type	Article No.	
80,00	100,00	10,00	C	metal	up to 1 MPa	PTFE F56101	B2PT	406772	●
80,00	100,00	10,00	BS	metal	0,02	72 NBR 902	B1FUDSL	429457	●
80,00	100,00	10,00	AS	grooved	0,05	75 FKM 585	BAUMSLX7	468978	●
80,00	100,00	10,00	AS	smooth	0,05	72 NBR 902	BAUSLX2	524139	●
80,00	100,00	10,00	A	smooth	0,02	72 NBR 902	BAFUD	532626	●
80,00	100,00	10,00	A	smooth	0,05	72 NBR 902	BAU	9216	○
80,00	100,00	12,00	B	metal	0,05	72 NBR 902	B1USL	331073	●
80,00	100,00	12,00	C	metal	0,02	72 NBR 902	B2FUD	334362	●
80,00	100,00	12,00	CS	metal	0,05	72 NBR 902	B2USL	34903	●
80,00	100,00	12,00	A	grooved	0,05	75 FKM 585	BAUMX7	388823	●
80,00	100,00	12,00	AS	smooth	0,05	72 NBR 902	BAUSLX2	470439	●
80,00	100,00	12,00	AS	smooth	0,05	75 FKM 585	BAUMSL	470440	●
80,00	100,00	12,00	-	smooth	0,05	72 NBR 902	MSS 1	525395	●
80,00	100,00	12,00	-	smooth	0,05	75 FKM 585	MSS 1	525427	●
80,00	100,00	13,00	AS	smooth	0,02	72 NBR 902	BAFUDSL	12011204	●
80,00	100,00	13,00	C	metal	0,02	72 NBR 902	B2FUD	334359	●
80,00	100,00	13,00	B	metal	0,02	72 NBR 902	B1FUD	335147	●
80,00	100,00	13,00	BS	metal	0,02	72 NBR 902	B1FUDSL	335189	●
80,00	100,00	13,00	CS	metal	0,02	72 NBR 902	B2FUDSL	335999	●
80,00	100,00	13,00	A	smooth	0,05	72 NBR 902	BAU	9221	●
80,00	102,00	7,50	A	metal	un-pressurised	80 FKM 177459	MSC 02	508618	●
80,00	102,00	7,50	A	metal	un-pressurised	80 NBR 177458	MSC 02	508642	●
80,00	105,00	7,50	AS	smooth	*	75 FKM 595	BABSL	418858	●
80,00	105,00	13,00	B	metal	0,05	72 NBR 902	B1USL	20176	●
80,00	105,00	13,00	A	grooved	0,02	72 NBR 902	BAFUDX7	334326	●
80,00	105,00	13,00	B	metal	0,02	72 NBR 902	B1FUD	355629	●
80,00	105,00	13,00	C	metal	0,02	72 NBR 902	B2FUD	356384	●
80,00	105,00	13,00	A	smooth	0,05	72 NBR 902	BAU	523566	○
80,00	105,00	15,00	B	metal	0,05	72 NBR 902	B1U	331070	●
80,00	110,00	8,00	A	smooth	0,05	72 NBR 902	BAUX2	524780	●
80,00	110,00	10,00	B	metal	0,05	72 NBR 902	B1	19932	●
80,00	110,00	10,00	A	grooved	0,05	75 FKM 585	BAUMX7	397823	●
80,00	110,00	10,00	C	metal	up to 1 MPa	PTFE F56101	B2PT	406833	●
80,00	110,00	10,00	AS	grooved	0,05	75 FKM 585	BAUMSLX7	427699	●
80,00	110,00	10,00	A	smooth	0,05	72 NBR 902	BAUX2	49033031	●
80,00	110,00	10,00	AS	smooth	*	72 NBR 902	BABSL	49043290	●

● Available from stock    ○ On request: Tool is available, delivery at short notice    \* → Diagram 2, page 18

d <sub>1</sub>	d <sub>2</sub>	b	DIN 3761	Outer surface	Pressure	Material	Type	Article No.	
80,00	110,00	10,00	AS	smooth	0,05	72 NBR 902	BAUSLX2	524503	●
80,00	110,00	12,00	C	metal	0,05	72 NBR 902	B2U	11434	●
80,00	110,00	12,00	A	smooth	0,02	72 NBR 902	BAFUD	12011030	●
80,00	110,00	13,00	A	smooth	0,02	72 NBR 902	BAFUD	12011031	●
80,00	110,00	13,00	B	metal	0,05	72 NBR 902	B1U	19933	●
80,00	110,00	13,00	C	metal	0,05	72 NBR 902	B2U	23223	●
80,00	110,00	13,00	BS	metal	0,05	72 NBR 902	B1SL	409545	●
80,00	115,00	10,00	A	smooth	0,05	72 NBR 902	BA	9234	●
80,00	115,00	13,00	B	metal	0,05	72 NBR 902	B1U	19935	●
80,00	120,00	13,00	A	smooth	0,02	72 NBR 902	BAFUD	12011033	●
80,00	120,00	13,00	C	metal	0,05	72 NBR 902	B2	23224	●
80,00	125,00	10,00	-	smooth	0,05	72 NBR 902	MSS 7	522349	●
80,00	125,00	12,00	AS	smooth	0,05	72 NBR 902	BAUSLX2	470441	●
80,00	125,00	12,00	AS	smooth	0,05	75 FKM 585	BAUMSL	470442	●
80,00	125,00	12,00	AS	smooth	*	72 NBR 902	BABSL	49043291	●
80,00	125,00	12,00	-	smooth	0,05	72 NBR 902	MSS 1	525402	●
80,00	125,00	13,00	C	metal	0,05	72 NBR 902	B2U	23225	●
80,00	125,00	13,00	A	grooved	0,05	72 NBR 902	BAUX27	453163	●
80,00	140,00	13,00	AS	grooved	0,05	72 NBR 902	BAUSLX27	453165	●
80,00	140,00	13,00	A	grooved	0,05	72 NBR 902	BAUX27	453166	●
80,00	140,00	13,00	AS	grooved	0,05	75 FKM 585	BAUMSLX7	477666	●
80,00	140,00	13,00	A	grooved	0,05	75 FKM 585	BAUMX7	49012109	●
80,00	140,00	13,00	A	smooth	0,05	72 NBR 902	BAUX2	49037441	●
80,00	140,00	13,00	AS	smooth	0,05	72 NBR 902	BAUSLX2	49037452	●
80,00	150,00	12,00	-	smooth	0,05	72 NBR 902	MSS 7	522286	●
80,00	150,00	15,00	AS	smooth	0,05	72 NBR 902	BAUSLX2	520449	●
80,00	150,00	15,00	AS	smooth	0,05	75 FKM 585	BAUMSL	520739	●
80,00	170,00	13,00	AS	smooth	0,05	72 NBR 902	BAUSLX2	434902	●
80,00	170,00	13,00	AS	smooth	0,05	75 FKM 585	BAUMSL	439857	●
81,00	100,00	10,00	C	metal	0,05	72 NBR 902	B2	22803	●
81,00	100,00	13,00	C	metal	0,05	72 NBR 902	B2	22804	●
82,00	100,00	10,00	A	grooved	0,05	75 FKM 585	BAUMX7	460327	●
82,00	105,00	10,00	AS	smooth	0,05	72 NBR 902	BAUSLX2	529148	●
82,00	105,00	10,00	AS	smooth	0,05	72 NBR 902	BASL	9242	●
82,00	105,00	12,00	A	smooth	0,05	72 NBR 902	BAU	9244	●
82,00	105,00	13,00	C	metal	0,05	72 NBR 902	B2U	23227	●
82,00	110,00	13,00	C	metal	0,05	72 NBR 902	B2	23228	●
82,00	120,00	13,00	AS	smooth	0,05	72 NBR 902	BAUSLX2	470376	●
82,00	120,00	13,00	AS	smooth	0,05	75 FKM 585	BAUMSL	470378	●
82,00	120,00	13,00	-	smooth	0,05	72 NBR 902	MSS 1	525401	●
82,00	160,00	13,00	AS	smooth	0,05	72 NBR 902	BAUSLX2	470381	●
82,00	160,00	13,00	AS	smooth	0,05	75 FKM 585	BAUMSL	470382	●
82,00	160,00	13,00	-	smooth	0,05	72 NBR 902	MSS 1	525407	●
82,00	160,00	13,00	-	smooth	0,05	75 FKM 585	MSS 1	525437	○
82,55	114,30	13,00	C	metal	0,05	72 NBR 902	B2U	20656	○
84,00	105,00	13,00	C	metal	0,05	72 NBR 902	B2U	23231	●
84,00	110,00	12,00	C	metal	0,05	72 NBR 902	B2	23232	●
84,14	114,30	11,90	C	metal	0,02	72 NBR 902	B2FUD	338367	○
85,00	100,00	7,00	B	metal	0,05	72 NBR 902	B1USL	61841	●
85,00	100,00	8,00	AS	grooved	0,05	75 FKM 585	BAUMSLX7	520227	●

● Available from stock    ○ On request: Tool is available, delivery at short notice    \* → Diagram 2, page 18

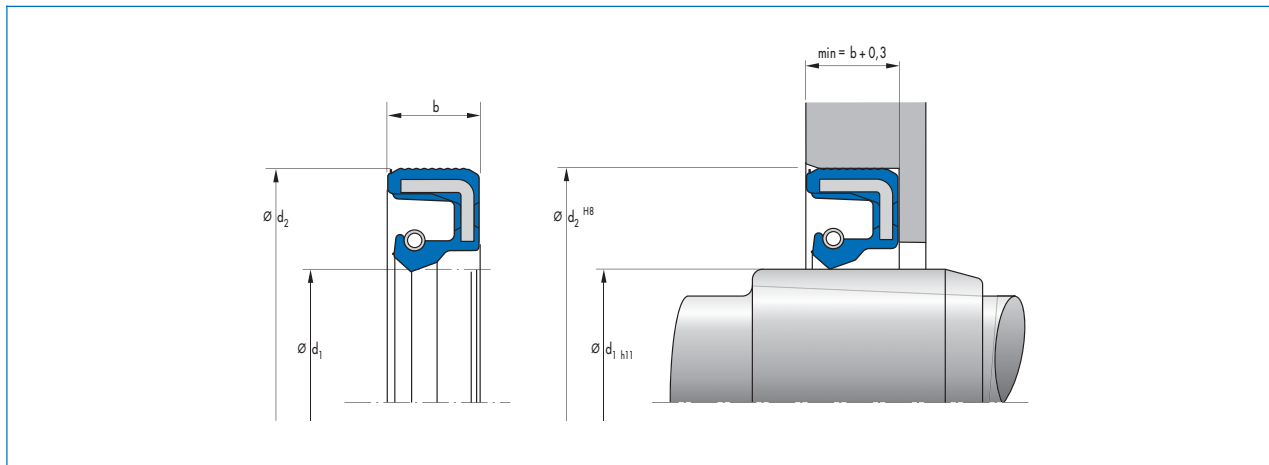


d <sub>1</sub>	d <sub>2</sub>	b	DIN 3761	Outer surface	Pressure	Material	Type	Article No.	
85,00	100,00	9,00	A	smooth	0,05	72 NBR 902	BA	24569	●
85,00	100,00	9,00	B	metal	0,02	72 NBR 902	B1FUD	334407	●
85,00	100,00	9,00	AS	grooved	0,05	72 NBR 902	BAUSLX27	533028	●
85,00	100,00	12,00	BS	metal	0,02	72 NBR 902	B1FUDSL	532637	●
85,00	100,00	13,00	C	metal	0,05	72 NBR 902	B2U	22805	●
85,00	105,00	5,50	A	metal	un-pressurised	80 NBR 177458	MSC 01	508553	●
85,00	105,00	5,50	A	metal	un-pressurised	80 FKM 177459	MSC 01	508598	●
85,00	105,00	7,00	AS	grooved	0,05	75 FKM 585	BAUMSLX7	522850	●
85,00	105,00	7,50	AS	smooth	*	72 NBR 902	BABSL	63228	●
85,00	105,00	10,00	B	metal	0,02	72 NBR 902	B1FUD	532636	●
85,00	105,00	12,00	AS	grooved	0,05	75 FKM 585	BAUMSLX7	404329	●
85,00	105,00	12,00	A	grooved	0,05	75 FKM 585	BAUMX7	526104	●
85,00	105,00	13,00	B	metal	0,05	72 NBR 902	B1U	19938	●
85,00	105,00	13,00	C	metal	0,05	72 NBR 902	B2U	23234	●
85,00	105,00	13,00	A	grooved	0,02	72 NBR 902	BAFUDX7	335194	●
85,00	105,00	13,00	A	smooth	0,05	72 NBR 902	BAU	354468	○
85,00	105,00	13,00	A	smooth	0,05	75 FKM 595	BAUM	4061	○
85,00	105,00	13,00	CS	metal	0,05	72 NBR 902	B2SL	9687	●
85,00	107,00	7,50	A	metal	un-pressurised	80 FKM 177459	MSC 02	508619	●
85,00	107,00	7,50	A	metal	un-pressurised	80 NBR 177458	MSC 02	508643	●
85,00	110,00	8,00	AS	smooth	*	72 NBR 902	BABSL	523616	●
85,00	110,00	8,00	AS	smooth	*	75 FKM 595	BABSL	529504	●
85,00	110,00	10,00	C	metal	up to 1 MPa	PTFE F56101	B2PT	406834	●
85,00	110,00	10,00	A	grooved	0,05	75 FKM 585	BAUMX7	476119	●
85,00	110,00	10,00	C	metal	up to 1 MPa	PTFE F56101	B2PT	529453	○
85,00	110,00	12,00	B	metal	0,02	72 NBR 902	B1FUD	334935	●
85,00	110,00	12,00	A	grooved	0,05	75 FKM 585	BAUMX7	388841	●
85,00	110,00	12,00	AS	smooth	0,05	75 FKM 585	BAUMSL	455644	●
85,00	110,00	12,00	AS	smooth	0,05	72 NBR 902	BAUSLX2	455645	●
85,00	110,00	12,00	A	smooth	0,05	72 NBR 902	BAUX2	526074	●
85,00	110,00	12,00	-	smooth	0,05	72 NBR 902	MSS 1	525387	●
85,00	110,00	13,00	B	metal	0,05	72 NBR 902	B1	19942	●
85,00	110,00	13,00	CS	metal	0,02	72 NBR 902	B2FUDSL	334365	●
85,00	110,00	13,00	C	metal	0,02	72 NBR 902	B2FUD	334975	●
85,00	110,00	13,00	A	grooved	0,02	72 NBR 902	BAFUDX7	335159	●
85,00	110,00	13,00	BS	metal	0,02	72 NBR 902	B1FUDSL	381637	●

● Available from stock    ○ On request: Tool is available, delivery at short notice    \* → Diagram 2, page 18

d <sub>1</sub>	d <sub>2</sub>	b	DIN 3761	Outer surface	Pressure	Material	Type	Article No.	
85,00	110,00	15,00	C	metal	0,02	72 NBR 902	B2FUD	334976	●
85,00	115,00	13,00	A	smooth	0,02	72 NBR 902	BAFUD	12011037	●
85,00	115,00	13,00	C	metal	0,05	72 NBR 902	B2U	23236	●
85,00	120,00	8,00	AS	smooth	*	72 NBR 902	BABSL	143355	●
85,00	120,00	8,00	AS	smooth	*	75 FKM 595	BABSL	418860	●
85,00	120,00	12,00	A	smooth	0,05	72 NBR 902	BA	14070	●
85,00	120,00	12,00	B	metal	0,05	72 NBR 902	B1	2755	●
85,00	120,00	12,00	A	grooved	0,05	75 FKM 585	BAUMX7	388807	●
85,00	120,00	12,00	B	metal	0,05	72 NBR 902	B1	432607	○
85,00	120,00	13,00	C	metal	0,05	72 NBR 902	B2U	23237	●
85,00	120,00	15,00	C	metal	0,05	72 NBR 902	B2	2515	●
85,00	125,00	10,00	AS	smooth	0,05	72 NBR 902	BAUSLX2	522358	●
85,00	125,00	13,00	C	metal	0,05	72 NBR 902	B2U	23505	●
85,00	130,00	10,00	AS	grooved	0,05	75 FKM 585	BAUMSLX7	477667	●
85,00	130,00	10,00	AS	grooved	0,05	72 NBR 902	BAUSLX27	49002843	●
85,00	130,00	10,00	A	smooth	0,05	72 NBR 902	BAUX2	49005998	●
85,00	130,00	10,00	A	grooved	0,05	75 FKM 585	BAUMX7	49012126	●
85,00	130,00	12,00	A	smooth	0,05	72 NBR 902	BAU	394923	●
85,00	130,00	13,00	C	metal	0,05	72 NBR 902	B2U	23238	●
85,00	140,00	12,00	A	grooved	0,02	72 NBR 902	BAUX7	369435	●
85,00	140,00	12,00	AS	grooved	0,05	72 NBR 902	BAUSLX7	369448	●
85,00	140,00	12,00	AS	smooth	0,05	75 FKM 585	BAUMSL	455647	●
85,00	140,00	12,00	AS	smooth	0,05	72 NBR 902	BAUSLX2	455648	●
85,00	140,00	12,00	-	smooth	0,05	72 NBR 902	MSS 1	525385	●
85,00	140,00	12,00	-	smooth	0,05	75 FKM 585	MSS 1	525390	●
85,00	150,00	12,00	AS	smooth	0,05	72 NBR 902	BAUSLX2	477583	●
85,00	150,00	12,00	A	smooth	0,05	72 NBR 902	BAUX2	49006054	●
85,00	150,00	12,00	AS	grooved	0,05	75 FKM 585	BAUMSLX7	520105	●
86,00	105,00	13,00	A	smooth	0,05	72 NBR 902	BA	9273	●
86,00	110,00	13,00	C	metal	0,05	72 NBR 902	B2	23240	○
86,00	110,00	13,00	A	smooth	0,05	72 NBR 902	BA	9275	●
87,00	110,00	13,00	C	metal	0,05	72 NBR 902	B2U	23242	●
88,00	110,00	10,00	A	smooth	0,05	72 NBR 902	BA	9279	●
88,00	110,00	13,00	A	smooth	0,05	75 FKM 595	BAUM	142385	○
88,00	110,00	13,00	B	metal	0,05	72 NBR 902	B1USL	20178	●
88,00	110,00	13,00	C	metal	0,05	72 NBR 902	B2U	23243	●
88,00	110,00	13,00	B	metal	0,05	72 NBR 902	B1U	436119	○
88,00	120,00	13,00	C	metal	0,05	72 NBR 902	B2U	23244	●
88,00	160,00	13,00	AS	smooth	0,05	72 NBR 902	BAUSLX2	475363	●
88,00	160,00	13,00	AS	grooved	0,05	75 FKM 585	BAUMSLX7	477611	●
89,00	110,00	13,00	C	metal	0,05	72 NBR 902	B2	23246	●
90,00	95,00	3,00	B	metal	un-pressurised	72 NBR 902	B1FOF	363577	○
90,00	110,00	5,50	A	metal	un-pressurised	80 NBR 177458	MSC 01	508554	●
90,00	110,00	5,50	A	metal	un-pressurised	80 FKM 177459	MSC 01	508599	●
90,00	110,00	7,50	AS	smooth	*	72 NBR 902	BABSL	307006	●
90,00	110,00	7,50	AS	smooth	*	75 FKM 595	BABSL	360218	●
90,00	110,00	7,50	AS	smooth	*	72 NBR 902	BABSL	49035762	●
90,00	110,00	8,00	C	metal	0,05	72 NBR 902	B2	22809	●
90,00	110,00	8,00	A	grooved	0,02	72 NBR 902	BAFUDX7	338992	●
90,00	110,00	8,00	B	metal	0,02	72 NBR 902	B1FUD	355633	●

● Available from stock    ○ On request: Tool is available, delivery at short notice    \* → Diagram 2, page 18



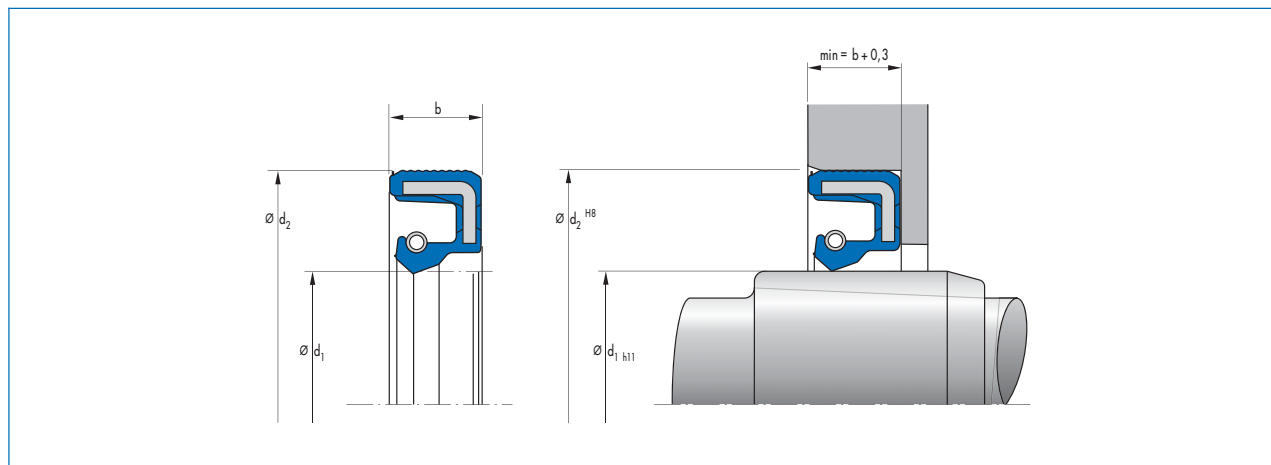
d <sub>1</sub>	d <sub>2</sub>	b	DIN 3761	Outer surface	Pressure	Material	Type	Article No.	
90,00	110,00	10,00	A	smooth	0,05	72 NBR 902	BAU	327928	●
90,00	110,00	10,00	C	metal	up to 1 MPa	PTFE F56101	B2PT	406773	●
90,00	110,00	10,00	A	smooth	0,05	72 NBR 902	BAUSL	452252	●
90,00	110,00	12,00	AS	smooth	*	72 NBR 902	BABSL	12011534	●
90,00	110,00	12,00	B	metal	0,02	72 NBR 902	B1FUD	334373	●
90,00	110,00	12,00	A	grooved	0,02	72 NBR 902	BAFUDX7	334762	●
90,00	110,00	12,00	A	smooth	0,05	72 NBR 902	BAUSL	371060	●
90,00	110,00	12,00	A	grooved	0,05	75 FKM 585	BAUMX7	388824	●
90,00	110,00	12,00	AS	grooved	0,05	75 FKM 585	BAUMSLX7	521010	●
90,00	110,00	13,00	CS	metal	0,05	72 NBR 902	B2USL	23467	●
90,00	110,00	13,00	BS	metal	0,05	72 NBR 902	B1SL	31470	●
90,00	110,00	13,00	C	metal	0,02	72 NBR 902	B2FUD	334348	●
90,00	110,00	13,00	B	metal	0,02	72 NBR 902	B1FUD	334671	●
90,00	110,00	13,00	AS	smooth	0,05	72 NBR 902	BAUSLX2	49011512	●
90,00	110,00	13,00	A	smooth	0,05	72 NBR 902	BAU	9287	●
90,00	110,00	15,00	C	metal	0,05	72 NBR 902	B2U	11436	●
90,00	112,00	7,50	A	metal	un-pressurised	80 FKM 177459	MSC 02	508620	●
90,00	112,00	7,50	A	metal	un-pressurised	80 NBR 177458	MSC 02	508644	●
90,00	112,71	13,00	C	metal	0,02	72 NBR 902	B2FUD	334349	●
90,00	115,00	9,00	C	metal	0,05	72 NBR 902	B2	22810	●
90,00	115,00	10,00	AS	smooth	*	75 FKM 595	BABSL	418863	●
90,00	115,00	12,00	A	smooth	0,05	72 NBR 902	BAU	313552	●
90,00	115,00	12,00	AS	grooved	0,05	75 FKM 585	BAUMSLX7	428612	●
90,00	115,00	13,00	BS	metal	0,02	72 NBR 902	B1FUDSL	335123	●
90,00	115,00	13,00	B	metal	0,02	72 NBR 902	B1FUD	335190	●
90,00	120,00	10,00	AS	smooth	*	72 NBR 902	BABSL	455768	●
90,00	120,00	12,00	B	metal	0,02	72 NBR 902	B1FUD	334694	●
90,00	120,00	12,00	A	grooved	0,02	72 NBR 902	BAFUDX7	335160	●
90,00	120,00	12,00	A	grooved	0,05	75 FKM 585	BAUMX7	389300	●
90,00	120,00	12,00	AS	grooved	0,05	75 FKM 585	BAUMSLX7	420404	●
90,00	120,00	13,00	B	metal	0,02	72 NBR 902	B1FUD	334408	●
90,00	120,00	13,00	C	metal	0,02	72 NBR 902	B2FUD	334695	●
90,00	120,00	13,00	CS	metal	0,02	72 NBR 902	B2FUDSL	335191	●
90,00	120,00	13,00	AS	grooved	0,02	72 NBR 902	BAFUDSLX7	339432	●
90,00	120,00	13,00	A	smooth	0,05	72 NBR 902	BAU	9294	●
90,00	120,00	15,00	C	metal	0,02	72 NBR 902	B2FUD	334339	●

● Available from stock    ○ On request: Tool is available, delivery at short notice    \* → Diagram 2, page 18



d <sub>1</sub>	d <sub>2</sub>	b	DIN 3761	Outer surface	Pressure	Material	Type	Article No.	
90,00	125,00	12,00	AS	smooth	*	72 NBR 902	BABSL	12001720	○
90,00	125,00	13,00	C	metal	0,05	72 NBR 902	B2	23250	●
90,00	130,00	12,00	AS	grooved	0,05	75 FKM 585	BAUMSLX7	420402	●
90,00	130,00	13,00	B	metal	0,05	72 NBR 902	B1	19951	●
90,00	130,00	13,00	C	metal	0,05	72 NBR 902	B2	23251	●
90,00	130,00	13,00	B	metal	0,05	72 NBR 902	B1USL	89770	●
90,00	130,00	13,00	A	smooth	0,05	72 NBR 902	BA	9301	●
90,00	140,00	13,00	C	metal	0,05	72 NBR 902	B2	23252	●
90,00	140,00	13,00	A	smooth	0,05	72 NBR 902	BA	28763	●
90,00	140,00	13,00	A	smooth	0,05	72 NBR 902	BAUX2	49037535	●
90,00	140,00	13,00	AS	smooth	0,05	72 NBR 902	BAUSLX2	522420	●
92,00	120,00	12,00	A	smooth	0,05	72 NBR 902	BA	9303	●
92,00	120,00	13,00	C	metal	0,05	72 NBR 902	B2	23253	●
93,00	110,00	13,00	C	metal	0,05	72 NBR 902	B2U	22811	●
94,00	120,00	13,00	C	metal	0,05	72 NBR 902	B2	23258	●
95,00	110,00	7,00	B	metal	0,05	72 NBR 902	B1USL	37097	○
95,00	110,00	9,00	B	metal	0,05	72 NBR 902	B1	19557	●
95,00	115,00	5,50	A	metal	un-pressurised	80 NBR 177458	MSC 01	508555	●
95,00	115,00	5,50	A	metal	un-pressurised	80 FKM 177459	MSC 01	508600	●
95,00	115,00	13,00	B	metal	0,05	72 NBR 902	B1USL	20181	●
95,00	115,00	13,00	B	metal	0,02	72 NBR 902	B1FUD	334936	●
95,00	115,00	13,00	C	metal	0,02	72 NBR 902	B2FUD	334978	●
95,00	115,00	13,00	AS	smooth	0,05	72 NBR 902	BASL	346567	○
95,00	115,00	13,00	A	grooved	0,05	75 FKM 585	BAUMX7	389615	●
95,00	115,00	13,00	AS	smooth	0,05	72 NBR 902	BAUSLX2	524194	●
95,00	117,00	7,50	A	metal	un-pressurised	80 FKM 177459	MSC 02	508621	●
95,00	117,00	7,50	A	metal	un-pressurised	80 NBR 177458	MSC 02	508645	●
95,00	120,00	12,00	AS	smooth	0,02	72 NBR 902	BAFUDSL	12011207	●
95,00	120,00	12,00	AS	smooth	*	72 NBR 902	BABSL	2315	●
95,00	120,00	12,00	B	metal	0,02	72 NBR 902	B1FUD	334653	●
95,00	120,00	12,00	A	grooved	0,02	72 NBR 902	BAFUDX7	355407	●
95,00	120,00	12,00	AS	smooth	*	75 FKM 595	BABSL	378129	●
95,00	120,00	12,00	A	grooved	0,05	75 FKM 585	BAUMX7	388845	●
95,00	120,00	12,00	C	metal	up to 1 MPa	PTFE F56101	B2PT	406835	●
95,00	120,00	12,00	AS	smooth	*	72 NBR 902	BABSL	477399	○
95,00	120,00	12,00	A	smooth	0,05	72 NBR 902	BAUX2	49035730	●
95,00	120,00	12,00	AS	grooved	0,05	75 FKM 585	BAUMSLX7	521011	●
95,00	120,00	12,00	A	smooth	0,05	72 NBR 902	BAUX2	529408	○
95,00	120,00	13,00	BS	metal	0,05	72 NBR 902	B1SL	20182	●
95,00	120,00	13,00	CS	metal	0,05	72 NBR 902	B2USL	330834	●
95,00	120,00	13,00	C	metal	0,02	72 NBR 902	B2FUD	334360	●
95,00	120,00	13,00	B	metal	0,02	72 NBR 902	B1FUD	334652	●
95,00	120,00	13,00	C	metal	0,05	75 FKM 595	B2U	49004121	○
95,00	120,00	13,00	A	smooth	0,05	72 NBR 902	BA	9310	●
95,00	120,00	15,00	C	metal	0,02	72 NBR 902	B2FUD	334654	●
95,00	125,00	12,00	B	metal	0,05	72 NBR 902	B1	19635	●
95,00	125,00	12,00	AS	grooved	0,02	72 NBR 902	BAFUDSLX7	335174	●
95,00	125,00	12,00	A	smooth	0,05	72 NBR 902	BA	3450	●
95,00	125,00	12,00	A	grooved	0,05	75 FKM 585	BAUMX7	403102	●
95,00	125,00	12,00	AS	grooved	0,05	75 FKM 585	BAUMSLX7	436020	●

● Available from stock    ○ On request: Tool is available, delivery at short notice    \* → Diagram 2, page 18

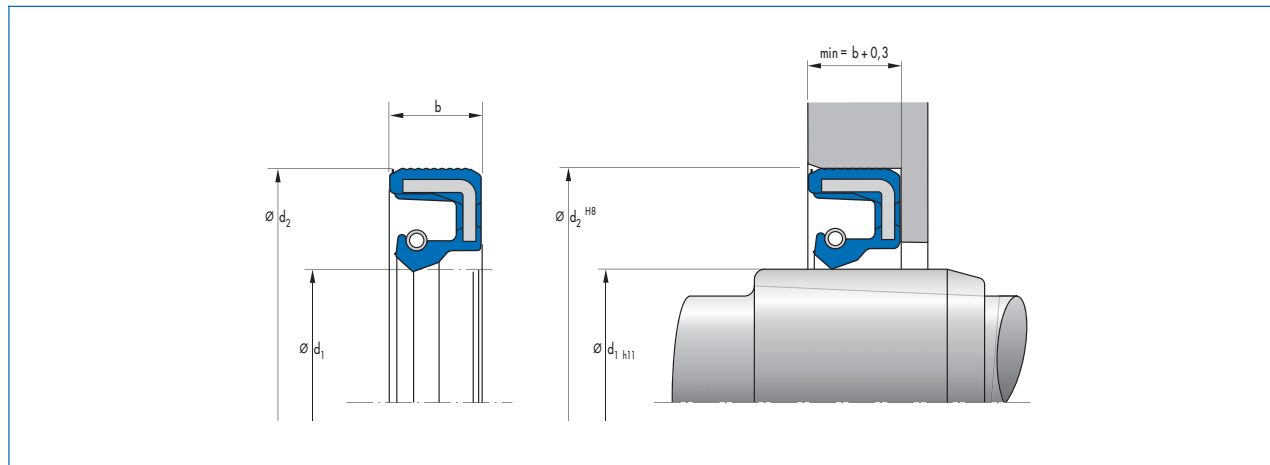


d <sub>1</sub>	d <sub>2</sub>	b	DIN 3761	Outer surface	Pressure	Material	Type	Article No.	
95,00	125,00	13,00	B	metal	0,05	72 NBR 902	B1U	19954	●
95,00	125,00	13,00	C	metal	0,05	72 NBR 902	B2U	23262	●
95,00	125,00	13,00	AS	smooth	0,05	75 FKM 585	BAUMSL	455649	●
95,00	125,00	13,00	AS	smooth	0,05	72 NBR 902	BAUSLX2	455650	●
95,00	125,00	13,00	A	smooth	0,05	72 NBR 902	BAUX2	49037536	●
95,00	125,00	13,00	-	smooth	0,05	72 NBR 902	MSS 1	525397	●
95,00	125,00	15,00	C	metal	0,05	72 NBR 902	B2	2521	●
95,00	130,00	13,00	C	metal	0,05	72 NBR 902	B2U	23263	●
95,00	145,00	12,00	-	smooth	0,05	72 NBR 902	MSS 7	522348	●
95,00	145,00	13,00	AS	grooved	0,05	72 NBR 902	BAUSLX27	451051	●
95,00	145,00	13,00	A	grooved	0,05	72 NBR 902	BAUX27	451052	●
95,00	145,00	13,00	AS	smooth	0,05	72 NBR 902	BAUSLX2	470443	●
95,00	145,00	13,00	AS	smooth	0,05	75 FKM 585	BAUMSL	470444	●
95,00	145,00	13,00	A	smooth	0,05	75 FKM 585	BAUM	49012060	●
95,00	145,00	13,00	-	smooth	0,05	72 NBR 902	MSS 1	525405	●
95,00	145,00	13,00	-	smooth	0,05	75 FKM 585	MSS 1	525434	○
95,00	170,00	13,00	AS	smooth	0,05	75 FKM 585	BAUMSL	455652	●
95,00	170,00	13,00	AS	smooth	0,05	72 NBR 902	BAUSLX2	455653	○
95,00	170,00	13,00	-	smooth	0,05	72 NBR 902	MSS 1	525396	○
96,00	125,00	13,00	C	metal	0,05	72 NBR 902	B2U	23265	●
97,00	120,00	13,00	C	metal	0,05	72 NBR 902	B2	23266	●
98,00	120,00	13,00	C	metal	0,05	72 NBR 902	B2	23269	●
98,00	125,00	12,00	AS	smooth	0,05	72 NBR 902	BASL	18962	●
98,00	125,00	12,00	A	smooth	0,05	72 NBR 902	BA	9319	●
98,00	125,00	13,00	A	smooth	0,05	75 FKM 595	BAUM	142387	○
98,00	125,00	13,00	C	metal	0,05	72 NBR 902	B2	23270	●
98,00	128,00	10,00	C	metal	0,05	72 NBR 902	B2	23271	●
98,00	130,00	13,00	C	metal	0,05	72 NBR 902	B2	23272	●
100,00	115,00	9,00	B	metal	0,02	72 NBR 902	B1FUD	358896	●
100,00	115,00	9,00	AS	grooved	0,05	75 FKM 595	BAUMSLX7	412884	○
100,00	120,00	5,50	A	metal	un-pressurised	80 NBR 177458	MSC 01	508556	●
100,00	120,00	5,50	A	metal	un-pressurised	80 FKM 177459	MSC 01	508601	●
100,00	120,00	7,50	AS	smooth	*	75 FKM 595	BABSL	315389	●
100,00	120,00	7,50	AS	smooth	*	72 NBR 902	BABSL	63432	●
100,00	120,00	8,00	B	metal	0,02	72 NBR 902	B1FUD	355472	●
100,00	120,00	8,00	B	metal	0,05	72 NBR 902	B1U	49038233	●

● Available from stock    ○ On request: Tool is available, delivery at short notice    \* → Diagram 2, page 18

d <sub>1</sub>	d <sub>2</sub>	b	DIN 3761	Outer surface	Pressure	Material	Type	Article No.	
100,00	120,00	10,00	B	metal	0,02	72 NBR 902	B1FUD	334659	●
100,00	120,00	10,00	A	smooth	0,05	72 NBR 902	BAUX2	9323	●
100,00	120,00	12,00	C	metal	0,05	75 FKM 595	B2U	2205	○
100,00	120,00	12,00	C	metal	0,05	72 NBR 902	B2U	307035	●
100,00	120,00	12,00	AS	grooved	0,02	72 NBR 902	BAFUDSLX7	334231	●
100,00	120,00	12,00	B	metal	0,02	72 NBR 902	B1FUD	334409	●
100,00	120,00	12,00	A	grooved	0,02	72 NBR 902	BAFUDX7	335175	●
100,00	120,00	12,00	AS	grooved	0,05	75 FKM 595	BAUMSLX7	350248	○
100,00	120,00	12,00	A	grooved	0,05	75 FKM 585	BAUMX7	389309	●
100,00	120,00	12,00	C	metal	up to 1 MPa	PTFE F56101	B2PT	406774	●
100,00	120,00	12,00	AS	grooved	0,05	75 FKM 585	BAUMSLX7	411235	●
100,00	120,00	12,00	A	smooth	0,05	72 NBR 902	BAU	9327	○
100,00	120,00	13,00	C	metal	0,02	72 NBR 902	B2FUD	334350	●
100,00	120,00	15,00	C	metal	0,05	72 NBR 902	B2U	9547	●
100,00	122,00	7,50	A	metal	un-pressurised	80 FKM 177459	MSC 02	508622	●
100,00	122,00	7,50	A	metal	un-pressurised	80 NBR 177458	MSC 02	508646	●
100,00	125,00	12,00	B	metal	0,02	72 NBR 902	B1FUD	335981	●
100,00	125,00	12,00	A	grooved	0,02	72 NBR 902	BAFUDX7	355481	●
100,00	125,00	12,00	A	grooved	0,05	75 FKM 585	BAUMX7	389690	●
100,00	125,00	12,00	AS	grooved	0,05	75 FKM 585	BAUMSLX7	521012	●
100,00	125,00	13,00	B	metal	0,05	72 NBR 902	B1USL	117707	●
100,00	125,00	13,00	CS	metal	0,05	72 NBR 902	B2SL	150733	●
100,00	125,00	13,00	AS	grooved	0,02	72 NBR 902	BAFUDSLX7	334856	●
100,00	125,00	13,00	C	metal	0,02	72 NBR 902	B2FUD	335193	●
100,00	125,00	13,00	B	metal	0,02	72 NBR 902	B1FUD	335982	●
100,00	125,00	13,00	AS	smooth	*	72 NBR 902	BABSL	420803	●
100,00	125,00	13,00	A	smooth	0,05	72 NBR 902	BA	9338	●
100,00	125,00	15,00	C	metal	0,02	72 NBR 902	B2FUD	335984	●
100,00	130,00	10,00	A	smooth	0,05	72 NBR 902	BA	9341	●
100,00	130,00	12,00	B	metal	0,02	72 NBR 902	B1FUD	335165	●
100,00	130,00	12,00	A	grooved	0,02	72 NBR 902	BAFUDX7	369826	●
100,00	130,00	12,00	A	grooved	0,05	75 FKM 585	BAUMX7	389698	●
100,00	130,00	12,00	C	metal	up to 1 MPa	PTFE F56101	B2PT	406837	●
100,00	130,00	12,00	AS	grooved	0,05	75 FKM 585	BAUMSLX7	49000979	●
100,00	130,00	12,00	AS	smooth	0,05	72 NBR 902	BAUSLX2	526078	●
100,00	130,00	12,00	A	smooth	0,05	72 NBR 902	BA	8079	●
100,00	130,00	13,00	BS	metal	0,05	72 NBR 902	B1SL	20183	●
100,00	130,00	13,00	CS	metal	0,05	72 NBR 902	B2USL	23470	●
100,00	130,00	13,00	AS	smooth	0,05	75 FKM 585	BAUMSL	310982	○
100,00	130,00	13,00	C	metal	0,02	72 NBR 902	B2FUD	335169	●
100,00	130,00	13,00	B	metal	0,02	72 NBR 902	B1FUD	335983	●
100,00	130,00	13,00	AS	smooth	0,05	72 NBR 902	BAUSLX2	478549	●
100,00	130,00	15,00	C	metal	0,02	72 NBR 902	B2FUD	335985	●
100,00	135,00	13,00	A	smooth	0,05	72 NBR 902	BAU	340026	●
100,00	140,00	13,00	C	metal	0,05	72 NBR 902	B2U	23278	●
100,00	145,00	12,00	AS	smooth	0,05	72 NBR 902	BAUSLX2	522357	●
100,00	150,00	12,00	A	smooth	0,05	72 NBR 902	BA	9345	●
100,00	160,00	14,00	AS	grooved	0,05	72 NBR 902	BAUSLX27	451670	●
100,00	160,00	14,00	A	grooved	0,05	72 NBR 902	BAUX27	453167	●
100,00	160,00	14,00	AS	smooth	0,05	75 FKM 585	BAUMSL	49012061	●

● Available from stock    ○ On request: Tool is available, delivery at short notice    \* → Diagram 2, page 18

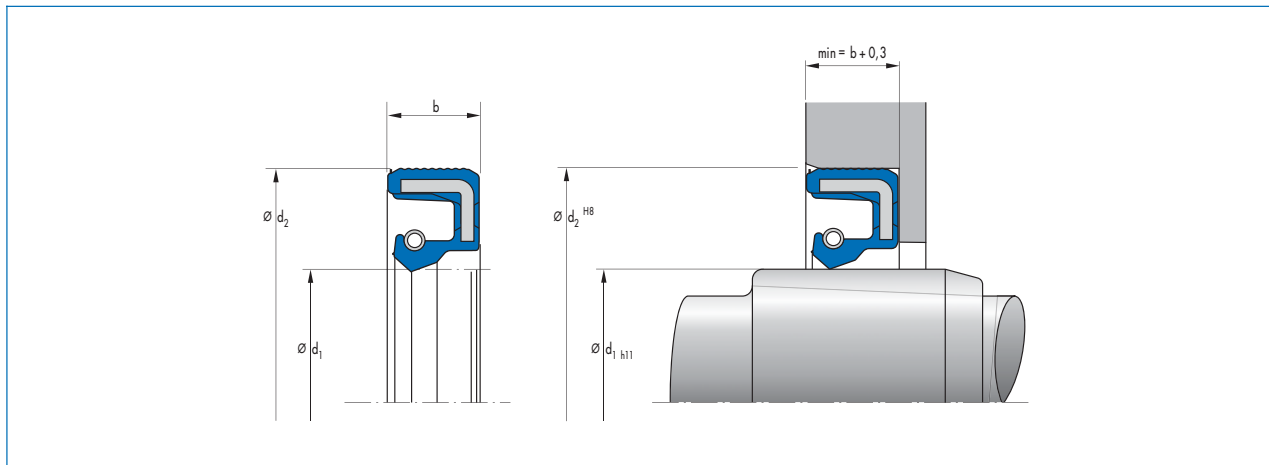


d <sub>1</sub>	d <sub>2</sub>	b	DIN 3761	Outer surface	Pressure	Material	Type	Article No.	
100,00	160,00	14,00	A	smooth	0,05	75 FKM 585	BAUM	49012062	●
100,00	180,00	12,00	A	grooved	0,05	72 NBR 902	BAUX27	450739	●
100,00	180,00	12,00	AS	grooved	0,05	72 NBR 902	BAUSLX27	450740	●
100,00	180,00	12,00	A	smooth	0,05	75 FKM 585	BAUM	49012124	●
100,00	180,00	12,00	AS	smooth	0,05	72 NBR 902	BAUSLX2	49037437	●
100,00	180,00	12,00	A	smooth	0,05	72 NBR 902	BAUX2	49037438	●
100,00	190,00	12,00	-	smooth	0,05	72 NBR 902	MSS 7	522305	●
100,00	190,00	15,00	AS	smooth	0,05	72 NBR 902	BAUSLX2	520451	●
100,00	190,00	15,00	AS	grooved	0,05	75 FKM 585	BAUMSLX7	520740	●
102,00	130,00	13,00	C	metal	0,05	72 NBR 902	B2U	23281	●
103,00	125,00	13,00	C	metal	0,05	72 NBR 902	B2U	23283	●
104,00	125,00	10,00	A	smooth	0,05	72 NBR 902	BA	9355	●
104,00	130,00	13,00	C	metal	0,05	72 NBR 902	B2	23285	●
105,00	120,00	8,00	B	metal	0,05	72 NBR 902	B1USL	302505	●
105,00	120,00	8,00	B	metal	0,05	72 NBR 902	B1USL	37138	○
105,00	120,00	8,00	B	metal	0,05	75 FKM 585	B1USL	405290	○
105,00	125,00	5,50	A	metal	un-pressurised	80 NBR 177458	MSC 01	508557	●
105,00	125,00	5,50	A	metal	un-pressurised	80 FKM 177459	MSC 01	508602	●
105,00	125,00	12,00	B	metal	0,05	72 NBR 902	B1U	19964	●
105,00	125,00	13,00	C	metal	0,05	72 NBR 902	B2U	22815	●
105,00	130,00	7,50	AS	smooth	*	72 NBR 902	BABSL	27134	●
105,00	130,00	7,50	AS	smooth	*	75 FKM 595	BABSL	377412	●
105,00	130,00	7,50	AS	smooth	*	75 FKM 595	BABSL	471702	○
105,00	130,00	7,50	AS	smooth	*	72 NBR 902	BABSL	49031450	●
105,00	130,00	8,00	AS	smooth	0,05	72 NBR 902	BAUSLX2	524146	●
105,00	130,00	12,00	B	metal	0,05	72 NBR 902	B1U	19965	●
105,00	130,00	12,00	AS	grooved	0,02	72 NBR 902	BAFUDSLX7	335177	●
105,00	130,00	12,00	A	grooved	0,05	75 FKM 585	BAUMX7	389699	●
105,00	130,00	12,00	C	metal	up to 1 MPa	PTFE F56101	B2PT	406839	●
105,00	130,00	12,00	AS	grooved	0,05	75 FKM 585	BAUMSLX7	411280	●
105,00	130,00	12,00	A	smooth	0,05	72 NBR 902	BAU	9361	●
105,00	130,00	13,00	BS	metal	0,05	72 NBR 902	B1SL	20184	●
105,00	130,00	13,00	C	metal	0,05	72 NBR 902	B2U	23286	●
105,00	130,00	13,00	B	metal	0,05	75 FKM 595	B1U	337463	○
105,00	130,00	15,00	C	metal	0,05	72 NBR 902	B2U	11439	●
105,00	135,00	13,00	C	metal	0,05	72 NBR 902	B2	365337	●

● Available from stock    ○ On request: Tool is available, delivery at short notice    \* → Diagram 2, page 18

d <sub>1</sub>	d <sub>2</sub>	b	DIN 3761	Outer surface	Pressure	Material	Type	Article No.	
105,00	135,00	13,00	B	metal	0,05	75 FKM 585	B1	439794	○
105,00	140,00	12,00	B	metal	0,05	72 NBR 902	B1U	19624	●
105,00	140,00	12,00	A	smooth	0,05	72 NBR 902	BA	2771	●
105,00	140,00	12,00	A	grooved	0,05	75 FKM 585	BAUMX7	411268	●
105,00	140,00	12,00	AS	smooth	0,05	72 NBR 902	BAUSLX2	524505	●
105,00	140,00	13,00	B	metal	0,05	72 NBR 902	B1	19966	●
105,00	140,00	13,00	C	metal	0,05	72 NBR 902	B2U	23288	●
105,00	140,00	13,00	CS	metal	0,05	72 NBR 902	B2USL	38081	●
105,00	140,00	15,00	C	metal	0,05	72 NBR 902	B2	19633	●
105,00	145,00	15,00	B	metal	0,05	72 NBR 902	B1	19967	●
105,00	150,00	15,00	C	metal	0,05	72 NBR 902	B2	23289	●
105,00	160,00	12,00	AS	smooth	0,05	72 NBR 902	BAUSLX2	475362	●
105,00	160,00	12,00	AS	grooved	0,05	75 FKM 585	BAUMSLX7	477615	●
105,00	190,00	12,00	AS	smooth	0,05	72 NBR 902	BAUSLX2	522306	●
106,00	130,00	13,00	C	metal	0,05	72 NBR 902	B2	23290	●
107,00	130,00	13,00	C	metal	0,05	72 NBR 902	B2	23291	●
107,00	140,00	13,00	C	metal	0,05	72 NBR 902	B2U	23292	●
108,00	130,00	13,00	C	metal	0,05	72 NBR 902	B2	23293	●
108,00	140,00	13,00	C	metal	0,05	72 NBR 902	B2U	23294	●
108,00	140,00	15,00	AS	smooth	0,05	72 NBR 902	BAUSLX2	470435	●
108,00	140,00	15,00	AS	smooth	0,05	75 FKM 585	BAUMSL	470436	●
108,00	170,00	15,00	AS	smooth	0,05	72 NBR 902	BAUSLX2	470383	●
108,00	170,00	15,00	AS	smooth	0,05	75 FKM 585	BAUMSL	470384	●
108,00	170,00	15,00	-	smooth	0,05	72 NBR 902	MSS 1	525409	●
110,00	125,00	7,00	AS	smooth	*	75 FKM 595	BABSL	473522	●
110,00	128,00	9,00	B	metal	0,05	72 NBR 902	B1	13810	●
110,00	128,00	9,00	B	metal	0,05	72 NBR 902	B1USL	33356	●
110,00	128,00	9,00	C	metal	0,05	72 NBR 902	B2	7792	●
110,00	128,00	12,00	A	grooved	0,05	75 FKM 585	BAUMX7	436018	●
110,00	130,00	8,00	AS	grooved	0,05	72 NBR 902	BAUSLX7	49033417	○
110,00	130,00	8,00	AS	grooved	0,05	75 FKM 585	BAUMSLX7	520228	●
110,00	130,00	10,00	B	metal	0,02	72 NBR 902	B1FUD	358659	●
110,00	130,00	12,00	AS	smooth	*	72 NBR 902	BABSL	12011535	●
110,00	130,00	12,00	A	smooth	0,05	72 NBR 902	BAUSL	126037	●
110,00	130,00	12,00	C	metal	0,05	75 FKM 595	B2U	2218	○
110,00	130,00	12,00	B	metal	0,02	72 NBR 902	B1FUD	341238	●
110,00	130,00	12,00	B	metal	0,05	72 NBR 902	B1USL	344990	●
110,00	130,00	12,00	A	grooved	0,02	72 NBR 902	BAFUDX7	355424	●
110,00	130,00	12,00	A	grooved	0,05	75 FKM 585	BAUMX7	376665	●
110,00	130,00	12,00	C	metal	up to 1 MPa	PTFE F56101	B2PT	406775	●
110,00	130,00	12,00	AS	grooved	0,05	75 FKM 585	BAUMSLX7	407283	●
110,00	130,00	12,00	C	metal	0,05	72 NBR 902	B2U	418208	●
110,00	130,00	12,00	AS	smooth	*	75 FKM 595	BABSL	529507	●
110,00	130,00	13,00	C	metal	0,02	72 NBR 902	B2FUD	341230	●
110,00	130,00	13,00	B	metal	0,02	72 NBR 902	B1FUD	341237	●
110,00	130,00	13,00	BS	metal	0,02	72 NBR 902	B1FUDSL	355470	●
110,00	130,00	15,00	C	metal	0,02	72 NBR 902	B2FUD	341239	●
110,00	140,00	12,00	A	smooth	0,05	72 NBR 902	BAU	14103	●
110,00	140,00	12,00	B	metal	0,02	72 NBR 902	B1FUD	335163	●
110,00	140,00	12,00	A	grooved	0,05	75 FKM 585	BAUMX7	389454	●

● Available from stock    ○ On request: Tool is available, delivery at short notice    \* → Diagram 2, page 18

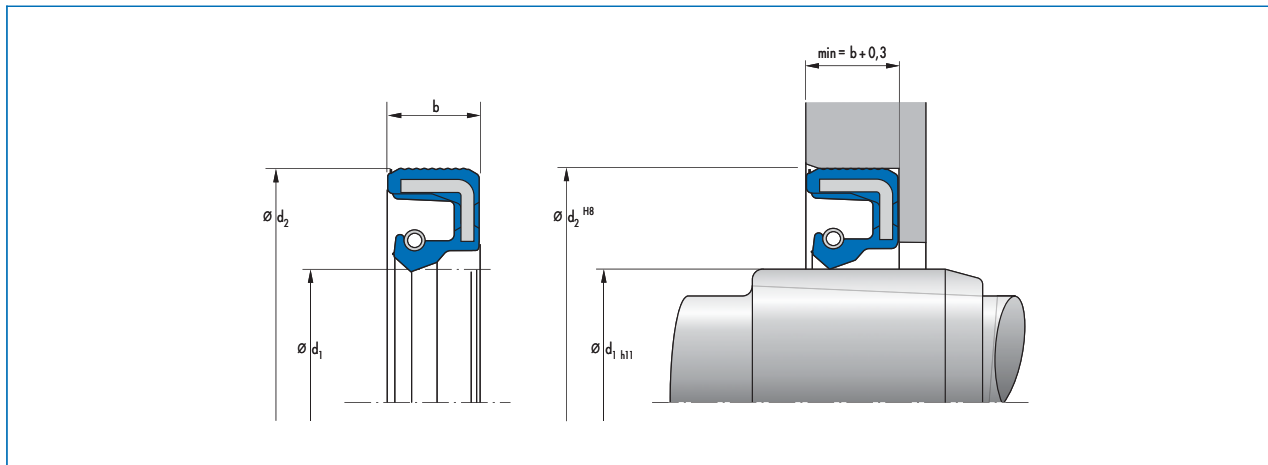


d <sub>1</sub>	d <sub>2</sub>	b	DIN 3761	Outer surface	Pressure	Material	Type	Article No.	
110,00	140,00	12,00	C	metal	up to 1 MPa	PTFE F56101	B2PT	406840	●
110,00	140,00	12,00	AS	smooth	*	75 FKM 595	BABSL	49005104	○
110,00	140,00	12,00	AS	grooved	0,05	75 FKM 585	BAUMSLX7	521013	●
110,00	140,00	12,00	AS	smooth	0,05	72 NBR 902	BASL	9373	●
110,00	140,00	13,00	CS	metal	0,02	72 NBR 902	B2FUDSL	335171	●
110,00	140,00	13,00	C	metal	0,02	72 NBR 902	B2FUD	345079	●
110,00	140,00	13,00	AS	smooth	*	72 NBR 902	BABSL	420804	●
110,00	140,00	13,00	A	smooth	0,05	72 NBR 902	BAUSL	9380	●
110,00	140,00	13,00	A	smooth	0,05	72 NBR 902	BA	9381	●
110,00	140,00	15,00	C	metal	0,02	72 NBR 902	B2FUD	335988	●
110,00	145,00	15,00	B	metal	0,05	72 NBR 902	B1U	19971	●
110,00	150,00	8,00	AS	smooth	*	72 NBR 902	BABSL	929	●
110,00	150,00	12,00	A	grooved	0,02	72 NBR 902	BAFUDX7	474182	●
110,00	150,00	13,00	C	metal	0,02	72 NBR 902	B2FUD	364342	●
110,00	150,00	15,00	C	metal	0,02	72 NBR 902	B2FUD	366328	●
110,00	150,00	15,00	B	metal	0,02	72 NBR 902	B1FUD	533588	●
110,00	150,00	18,00	A	smooth	0,05	72 NBR 902	BADUO	9389	○
110,00	170,00	12,00	-	smooth	0,05	72 NBR 902	MSS 7	522347	●
110,00	170,00	15,00	AS	smooth	0,05	72 NBR 902	BAUSLX2	520450	●
110,00	170,00	15,00	AS	smooth	0,05	75 FKM 585	BAUMSL	520741	●
110,00	200,00	13,00	AS	grooved	0,05	72 NBR 902	BAUSLX27	451053	●
110,00	200,00	13,00	A	grooved	0,05	72 NBR 902	BAUX27	451054	●
110,00	200,00	13,00	AS	smooth	0,05	75 FKM 585	BAUMSL	49012065	●
110,00	215,00	12,00	-	smooth	0,05	72 NBR 902	MSS 7	522308	●
110,00	215,00	15,00	AS	smooth	0,05	72 NBR 902	BAUSLX2	520453	●
110,00	215,00	15,00	AS	smooth	0,05	75 FKM 585	BAUMSL	520742	●
112,00	130,00	12,00	B	metal	0,05	72 NBR 902	B1	19562	●
112,00	130,00	12,00	A	grooved	0,05	75 FKM 585	BAUMX7	520866	●
112,00	140,00	13,00	BS	metal	0,05	72 NBR 902	B1SL	20116	●
112,00	140,00	13,00	C	metal	0,05	72 NBR 902	B2	23299	●
112,00	140,00	13,00	A	smooth	0,05	72 NBR 902	BAU	9395	●
112,00	150,00	15,00	C	metal	0,05	72 NBR 902	B2	23301	●
113,00	140,00	13,00	C	metal	0,05	72 NBR 902	B2	23302	●
114,00	140,00	13,00	C	metal	0,05	72 NBR 902	B2U	23303	●
115,00	135,00	13,00	B	metal	0,05	72 NBR 902	B1	13859	●
115,00	140,00	11,00	CS	metal	0,05	72 NBR 902	B2USL	23557	●

● Available from stock    ○ On request: Tool is available, delivery at short notice    \* → Diagram 2, page 18

d <sub>1</sub>	d <sub>2</sub>	b	DIN 3761	Outer surface	Pressure	Material	Type	Article No.	
115,00	140,00	12,00	AS	smooth	0,05	75 FKM 585	BAUMSL	142971	○
115,00	140,00	12,00	C	metal	0,05	75 FKM 595	B2U	2231	○
115,00	140,00	12,00	B	metal	0,05	72 NBR 902	B1	2776	●
115,00	140,00	12,00	AS	grooved	0,02	72 NBR 902	BAFUDSLX7	334501	●
115,00	140,00	12,00	A	smooth	0,05	72 NBR 902	BAUSL	335212	○
115,00	140,00	12,00	B	metal	0,02	72 NBR 902	B1FUD	335979	●
115,00	140,00	12,00	A	smooth	0,05	75 FKM 595	BAUM	351142	○
115,00	140,00	12,00	A	grooved	0,02	72 NBR 902	BAFUDX7	355480	●
115,00	140,00	12,00	A	grooved	0,05	75 FKM 585	BAUMX7	389700	●
115,00	140,00	12,00	AS	grooved	0,05	72 NBR 902	BAUSLX7	401314	○
115,00	140,00	12,00	C	metal	up to 1 MPa	PTFE F56101	B2PT	406841	●
115,00	140,00	12,00	AS	grooved	0,05	75 FKM 585	BAUMSLX7	522388	●
115,00	140,00	13,00	B	metal	0,05	72 NBR 902	B1USL	103181	●
115,00	140,00	13,00	C	metal	0,02	72 NBR 902	B2FUD	335167	●
115,00	140,00	13,00	B	metal	0,02	72 NBR 902	B1FUD	335980	●
115,00	140,00	15,00	C	metal	0,02	72 NBR 902	B2FUD	335995	●
115,00	140,00	15,00	BS	metal	0,02	72 NBR 902	B1FUDSL	364335	●
115,00	150,00	12,00	B	metal	0,05	72 NBR 902	B1U	11442	●
115,00	150,00	12,00	A	smooth	0,05	72 NBR 902	BA	2605	●
115,00	150,00	12,00	A	grooved	0,05	75 FKM 585	BAUMX7	407103	●
115,00	150,00	12,00	AS	grooved	0,05	75 FKM 585	BAUMSLX7	411270	●
115,00	150,00	13,00	C	metal	0,05	72 NBR 902	B2U	23309	●
115,00	150,00	13,00	B	metal	0,02	72 NBR 902	B1FUD	25526	●
115,00	150,00	15,00	C	metal	0,05	72 NBR 902	B2	23310	●
115,00	160,00	12,00	A	grooved	0,05	75 FKM 585	BAUMX7	49010597	●
115,00	160,00	15,00	C	metal	0,05	72 NBR 902	B2	23311	●
115,00	170,00	12,00	AS	smooth	0,05	72 NBR 902	BAUSLX2	522356	●
115,00	215,00	12,00	AS	smooth	0,05	72 NBR 902	BAUSLX2	522309	●
116,00	140,00	13,00	C	metal	0,05	72 NBR 902	B2	23530	○
118,00	140,00	13,00	C	metal	0,05	72 NBR 902	B2	23313	●
118,00	140,00	16,00	A	smooth	0,05	72 NBR 902	BADUO	9406	○
118,00	150,00	12,00	AS	smooth	0,05	72 NBR 902	BAUSLX2	457498	●
118,00	150,00	12,00	AS	smooth	0,05	75 FKM 585	BAUMSL	461900	●
118,00	150,00	12,00	A	smooth	0,05	72 NBR 902	BAUX2	462756	●
118,00	150,00	12,00	A	smooth	0,05	75 FKM 585	BAUM	462757	●
118,00	150,00	15,00	C	metal	0,05	72 NBR 902	B2	23314	●
118,00	160,00	15,00	C	metal	0,05	72 NBR 902	B2U	23315	●
120,00	140,00	7,50	AS	smooth	*	75 FKM 595	BABSL	360177	●
120,00	140,00	7,50	AS	smooth	*	72 NBR 902	BABSL	85746	●
120,00	140,00	10,00	AS	smooth	*	72 NBR 902	BABSL	82439	●
120,00	140,00	12,00	C	metal	up to 1 MPa	PTFE F56101	B2PT	406842	●
120,00	140,00	12,00	A	smooth	0,05	72 NBR 902	BAU	411088	●
120,00	140,00	12,00	A	smooth	0,05	72 NBR 902	BAUSL	49030924	●
120,00	140,00	13,00	C	metal	0,02	72 NBR 902	B2FUD	335172	●
120,00	140,00	13,00	B	metal	0,02	72 NBR 902	B1FUD	335978	●
120,00	140,00	13,00	BS	metal	0,02	72 NBR 902	B1FUDSL	347234	●
120,00	140,00	13,00	AS	grooved	0,05	75 FKM 585	BAUMSLX7	405832	●
120,00	140,00	13,00	A	smooth	0,05	72 NBR 902	BAUX2	49037537	●
120,00	140,00	13,00	AS	smooth	0,05	72 NBR 902	BAUSLX2	524147	●
120,00	140,00	13,00	A	grooved	0,05	75 FKM 585	BAUMX7	525673	●

● Available from stock    ○ On request: Tool is available, delivery at short notice    \* → Diagram 2, page 18



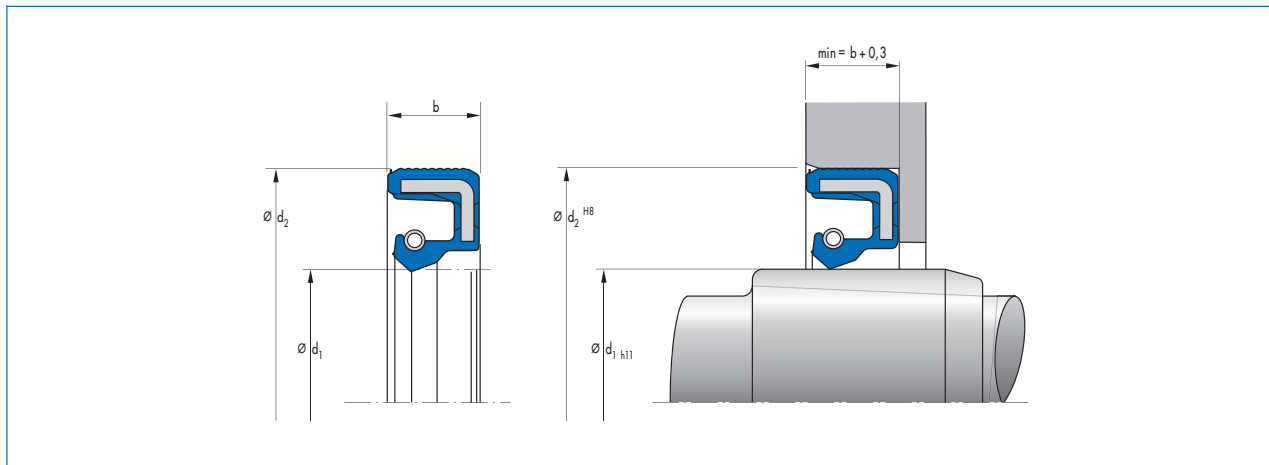
d <sub>1</sub>	d <sub>2</sub>	b	DIN 3761	Outer surface	Pressure	Material	Type	Article No.	
120,00	145,00	15,00	B	metal	0,05	72 NBR 902	B1U	122443	●
120,00	145,00	15,00	C	metal	0,05	72 NBR 902	B2U	66352	●
120,00	150,00	10,00	AS	smooth	*	75 FKM 595	BABSL	324576	●
120,00	150,00	10,00	AS	smooth	*	72 NBR 902	BABSL	427822	●
120,00	150,00	10,00	AS	smooth	*	75 FKM 595	BABSL	523775	○
120,00	150,00	12,00	AS	smooth	*	72 NBR 902	BABSL	12011536	●
120,00	150,00	12,00	B	metal	0,02	72 NBR 902	B1FUD	335166	●
120,00	150,00	12,00	A	grooved	0,05	75 FKM 585	BAUMX7	401018	●
120,00	150,00	12,00	B	metal	0,05	72 NBR 902	B1USL	436126	○
120,00	150,00	12,00	AS	grooved	0,05	75 FKM 585	BAUMSLX7	474123	●
120,00	150,00	12,00	A	smooth	0,05	72 NBR 902	BAUX2	49017408	●
120,00	150,00	12,00	AS	smooth	0,05	72 NBR 902	BAUSLX2	526963	●
120,00	150,00	12,00	A	smooth	0,05	72 NBR 902	BAU	9413	○
120,00	150,00	13,00	A	smooth	0,05	72 NBR 902	BA	31371	●
120,00	150,00	13,00	C	metal	0,02	72 NBR 902	B2FUD	335986	●
120,00	150,00	13,00	AS	smooth	0,05	75 FKM 595	BAUMSL	384118	○
120,00	150,00	13,00	AS	smooth	0,05	72 NBR 902	BASL	418990	●
120,00	150,00	15,00	CS	metal	0,05	72 NBR 902	B2SL	12059	●
120,00	150,00	15,00	CS	metal	0,05	72 NBR 902	B2USL	145092	●
120,00	150,00	15,00	BS	metal	0,05	72 NBR 902	B1SL	20189	●
120,00	150,00	15,00	B	metal	0,02	72 NBR 902	B1FUD	335972	●
120,00	150,00	15,00	C	metal	0,02	72 NBR 902	B2FUD	335987	●
120,00	150,00	15,00	A	grooved	0,05	75 FKM 585	BAUMX7	389455	●
120,00	150,00	15,00	AS	smooth	0,05	72 NBR 902	BAUSLX2	470447	●
120,00	150,00	15,00	AS	smooth	0,05	75 FKM 585	BAUMSL	470448	●
120,00	150,00	15,00	-	smooth	0,05	72 NBR 902	MSS 1	525406	●
120,00	150,00	15,00	-	smooth	0,05	75 FKM 585	MSS 1	525435	●
120,00	150,00	16,00	A	smooth	0,05	72 NBR 902	BADUO	370744	○
120,00	160,00	10,00	B	metal	0,05	72 NBR 902	B1USL	414273	●
120,00	160,00	10,00	BS	metal	0,05	72 NBR 902	B1SL	478718	●
120,00	160,00	10,00	B	metal	0,05	72 NBR 902	B1U	478719	●
120,00	160,00	12,00	A	smooth	0,05	72 NBR 902	BA	14120	●
120,00	160,00	12,00	B	metal	0,05	72 NBR 902	B1	2610	●
120,00	160,00	12,00	A	grooved	0,05	75 FKM 585	BAUMX7	407104	●
120,00	160,00	12,00	AS	grooved	0,05	75 FKM 585	BAUMSLX7	411290	●
120,00	160,00	13,00	C	metal	0,05	72 NBR 902	B2	23319	●

● Available from stock    ○ On request: Tool is available, delivery at short notice    \* → Diagram 2, page 18



d <sub>1</sub>	d <sub>2</sub>	b	DIN 3761	Outer surface	Pressure	Material	Type	Article No.	
120,00	160,00	15,00	C	metal	0,05	72 NBR 902	B2	23320	●
120,00	170,00	15,00	C	metal	0,05	72 NBR 902	B2U	23533	●
120,00	180,00	12,00	AS	smooth	0,05	72 NBR 902	BAUSLX2	49043674	●
120,00	180,00	12,00	A	smooth	0,05	72 NBR 902	BAUX2	49043675	●
120,00	180,00	12,00	-	smooth	0,05	72 NBR 902	MSS 7	522346	●
120,00	180,00	15,00	AS	smooth	0,05	72 NBR 902	BAUSLX2	470451	●
120,00	180,00	15,00	AS	smooth	0,05	75 FKM 585	BAUMSL	470452	●
120,00	180,00	15,00	A	smooth	0,05	72 NBR 902	BAUX2	49031233	○
120,00	200,00	14,00	AS	grooved	0,05	72 NBR 902	BAUSLX27	451037	●
120,00	200,00	14,00	A	grooved	0,05	72 NBR 902	BAUX27	453168	●
120,00	200,00	14,00	AS	smooth	0,05	75 FKM 585	BAUMSL	49011950	●
120,00	200,00	14,00	A	smooth	0,05	75 FKM 585	BAUM	49012125	●
122,00	150,00	13,00	C	metal	0,05	72 NBR 902	B2U	23322	●
122,00	150,00	15,00	C	metal	0,05	72 NBR 902	B2	23323	○
122,00	150,00	15,00	AS	smooth	0,05	72 NBR 902	BASL	9427	●
122,00	200,00	15,00	AS	smooth	0,05	72 NBR 902	BAUSLX2	475364	●
122,00	200,00	15,00	AS	grooved	0,05	75 FKM 585	BAUMSLX7	477613	●
124,00	150,00	15,00	C	metal	0,05	72 NBR 902	B2	23324	●
125,00	145,00	13,00	A	grooved	0,05	75 FKM 585	BAUMX7	49016136	○
125,00	150,00	12,00	AS	grooved	0,02	72 NBR 902	BAFUDSLX7	334229	●
125,00	150,00	12,00	A	grooved	0,02	72 NBR 902	BAFUDX7	335125	●
125,00	150,00	12,00	B	metal	0,02	72 NBR 902	B1FUD	335977	●
125,00	150,00	12,00	C	metal	up to 1 MPa	PTFE F56101	B2PT	406838	●
125,00	150,00	12,00	AS	grooved	0,05	75 FKM 585	BAUMSLX7	407276	●
125,00	150,00	12,00	AS	smooth	*	75 FKM 585	BABSL	455694	○
125,00	150,00	12,00	A	grooved	0,05	75 FKM 585	BAUMX7	49045094	○
125,00	150,00	13,00	BS	metal	0,05	72 NBR 902	B1SL	20190	●
125,00	150,00	13,00	C	metal	0,02	72 NBR 902	B2FUD	335161	●
125,00	150,00	13,00	BS	metal	0,02	72 NBR 902	B1FUDSL	364318	●
125,00	150,00	13,00	A	smooth	0,05	72 NBR 902	BA	9440	●
125,00	150,00	15,00	C	metal	0,02	72 NBR 902	B2FUD	335994	●
125,00	150,00	15,00	A	grooved	0,05	75 FKM 585	BAUMX7	389702	●
125,00	150,00	15,00	CS	metal	0,05	72 NBR 902	B2USL	409243	●
125,00	152,40	15,00	C	metal	0,05	72 NBR 902	B2	3824	●
125,00	160,00	12,00	A	smooth	0,05	72 NBR 902	BA	14142	●
125,00	160,00	12,00	B	metal	0,05	72 NBR 902	B1	14766	●
125,00	160,00	12,00	A	grooved	0,05	75 FKM 585	BAUMX7	411240	●
125,00	160,00	13,00	B	metal	0,05	72 NBR 902	B1	19974	●
125,00	160,00	13,00	C	metal	0,05	72 NBR 902	B2	23328	●
125,00	160,00	15,00	C	metal	0,05	72 NBR 902	B2	23329	●
125,00	160,00	15,00	CS	metal	0,05	72 NBR 902	B2SL	25638	○
125,00	160,00	15,00	AS	smooth	0,05	72 NBR 902	BAUSLX2	470445	●
125,00	160,00	15,00	AS	smooth	0,05	75 FKM 585	BAUMSL	470446	●
125,00	160,00	15,00	-	smooth	0,05	72 NBR 902	MSS 1	525408	●
125,00	170,00	13,00	C	metal	0,05	72 NBR 902	B2	23330	●
125,00	170,00	15,00	C	metal	0,05	72 NBR 902	B2	23331	●
125,00	180,00	12,00	AS	smooth	0,05	72 NBR 902	BAUSLX2	522355	●
125,00	200,00	15,00	AS	smooth	0,05	72 NBR 902	BAUSLX2	470425	●
125,00	200,00	15,00	AS	smooth	0,05	75 FKM 585	BAUMSL	470426	●
125,00	200,00	15,00	-	smooth	0,05	72 NBR 902	MSS 1	525412	●

● Available from stock    ○ On request: Tool is available, delivery at short notice    \* → Diagram 2, page 18

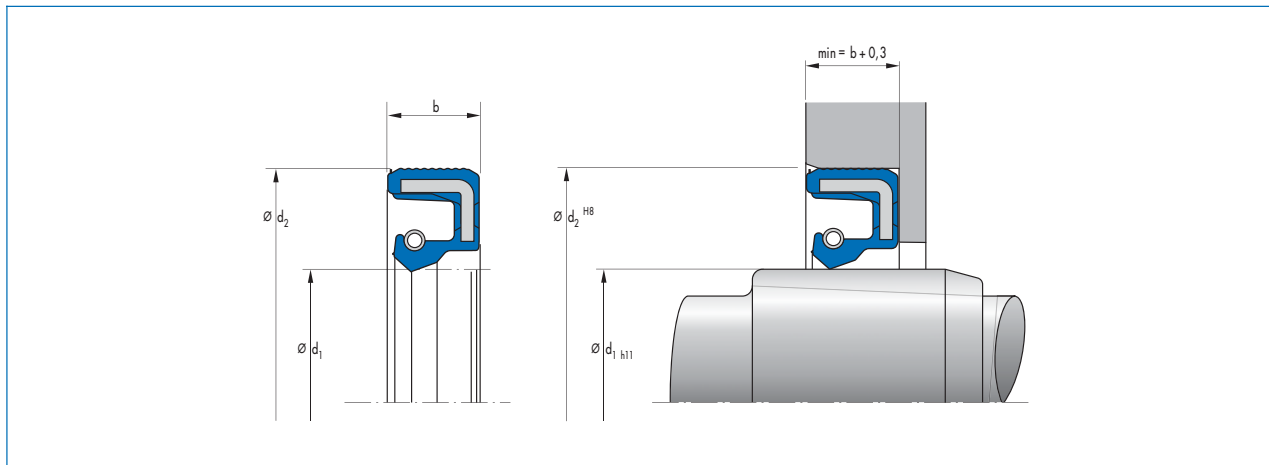


d <sub>1</sub>	d <sub>2</sub>	b	DIN 3761	Outer surface	Pressure	Material	Type	Article No.	
128,00	146,00	13,50	C	metal	0,02	72 NBR 902	B2FUD	341229	●
128,00	150,00	12,50	C	metal	0,05	75 FKM 585	B2U	24662	○
128,00	150,00	13,00	A	smooth	0,05	72 NBR 902	BAU	9452	●
128,00	150,00	15,00	B	metal	0,05	72 NBR 902	B1	19565	●
128,00	150,00	15,00	C	metal	0,05	72 NBR 902	B2U	23332	●
128,00	160,00	15,00	C	metal	0,05	72 NBR 902	B2U	23333	●
129,00	160,00	15,00	C	metal	0,05	72 NBR 902	B2	23335	●
130,00	150,00	7,50	AS	smooth	*	72 NBR 902	BABSL	369321	●
130,00	150,00	15,00	A	grooved	0,05	75 FKM 585	BAUMX7	530591	●
130,00	155,00	10,00	C	metal	0,05	72 NBR 902	B2U	21415	●
130,00	160,00	7,50	AS	smooth	*	75 FKM 595	BABSL	529820	●
130,00	160,00	12,00	AS	smooth	*	72 NBR 902	BABSL	12011537	●
130,00	160,00	12,00	A	grooved	0,02	72 NBR 902	BAFUDX7	364316	●
130,00	160,00	12,00	B	metal	0,05	72 NBR 902	B1USL	370762	●
130,00	160,00	12,00	A	grooved	0,05	75 FKM 585	BAUMX7	402397	●
130,00	160,00	12,00	AS	grooved	0,05	75 FKM 585	BAUMSLX7	474122	●
130,00	160,00	12,00	AS	smooth	0,05	72 NBR 902	BAUSLX2	49030495	●
130,00	160,00	12,00	AS	smooth	*	75 FKM 595	BABSL	529506	●
130,00	160,00	12,00	B	metal	0,05	72 NBR 902	B1U	8105	●
130,00	160,00	13,00	BS	metal	0,05	72 NBR 902	B1SL	20272	●
130,00	160,00	13,00	C	metal	0,05	72 NBR 902	B2U	23336	●
130,00	160,00	13,00	A	grooved	0,02	72 NBR 902	BAFUDX7	335201	●
130,00	160,00	14,00	A	smooth	0,05	72 NBR 902	BAU	376145	●
130,00	160,00	15,00	B	metal	0,05	72 NBR 902	B1U	19976	●
130,00	160,00	15,00	CS	metal	0,05	72 NBR 902	B2USL	34910	●
130,00	160,00	15,00	C	metal	0,02	72 NBR 902	B2FUD	364341	●
130,00	160,00	15,00	A	grooved	0,05	75 FKM 585	BAUMX7	389456	●
130,00	160,00	15,00	A	smooth	0,05	72 NBR 902	BAUSL	9463	●
130,00	165,00	13,00	C	metal	0,05	72 NBR 902	B2U	23338	●
130,00	170,00	12,00	AS	smooth	0,02	72 NBR 902	BAFUDSL	12013366	●
130,00	170,00	12,00	A	smooth	0,05	72 NBR 902	BA	14143	●
130,00	170,00	12,00	A	grooved	0,05	75 FKM 585	BAUMX7	407050	●
130,00	170,00	12,00	AS	grooved	0,05	75 FKM 585	BAUMSLX7	411238	●
130,00	170,00	13,00	C	metal	0,05	72 NBR 902	B2	23340	●
130,00	170,00	15,00	C	metal	0,05	72 NBR 902	B2	23342	●
130,00	170,00	15,00	CS	metal	0,05	72 NBR 902	B2USL	23476	●

● Available from stock    ○ On request: Tool is available, delivery at short notice    \* → Diagram 2, page 18

d <sub>1</sub>	d <sub>2</sub>	b	DIN 3761	Outer surface	Pressure	Material	Type	Article No.	
130,00	170,00	15,00	AS	smooth	0,05	72 NBR 902	BAUSLX2	524696	●
130,00	180,00	15,00	C	metal	0,05	72 NBR 902	B2U	23343	●
130,00	200,00	15,00	AS	smooth	0,05	72 NBR 902	BAUSLX2	475361	●
130,00	200,00	15,00	AS	grooved	0,05	75 FKM 585	BAUMSLX7	477612	●
130,00	215,00	12,00	-	smooth	0,05	72 NBR 902	MSS 7	522311	●
130,00	215,00	15,00	AS	smooth	0,05	72 NBR 902	BAUSLX2	520454	●
130,00	215,00	15,00	AS	smooth	0,05	75 FKM 585	BAUMSL	520743	●
130,00	230,00	14,00	AS	grooved	0,05	72 NBR 902	BAUSLX27	451056	●
130,00	230,00	14,00	A	grooved	0,05	72 NBR 902	BAUX27	451058	●
132,00	160,00	13,00	C	metal	0,05	72 NBR 902	B2	23344	●
132,00	160,00	15,00	C	metal	0,05	72 NBR 902	B2	23345	●
135,00	159,00	6,50	A	metal	un-pressurised	80 NBR 177458	MSC 01	508558	●
135,00	159,00	6,50	A	metal	un-pressurised	80 FKM 177459	MSC 01	508603	●
135,00	160,00	12,00	A	smooth	0,02	72 NBR 902	BAFUD	12011085	●
135,00	160,00	13,00	C	metal	0,02	72 NBR 902	B2FUD	335199	●
135,00	160,00	14,00	C	metal	0,05	75 FKM 595	B2	432265	○
135,00	160,00	15,00	B	metal	0,02	72 NBR 902	B1FUD	335975	●
135,00	160,00	15,00	C	metal	0,02	72 NBR 902	B2FUD	335991	●
135,00	165,00	12,00	A	grooved	0,05	75 FKM 585	BAUMX7	521829	●
135,00	165,00	13,00	C	metal	0,05	72 NBR 902	B2U	23348	●
135,00	165,00	15,00	C	metal	0,05	72 NBR 902	B2	23537	●
135,00	170,00	10,00	B	metal	0,05	72 NBR 902	B1USL	430579	○
135,00	170,00	12,00	B	metal	0,05	72 NBR 902	B1U	11446	●
135,00	170,00	12,00	A	grooved	0,02	72 NBR 902	BAFUDX7	335202	●
135,00	170,00	12,00	AS	smooth	0,05	75 FKM 585	BAUMSL	375318	○
135,00	170,00	12,00	A	grooved	0,05	75 FKM 585	BAUMX7	411236	●
135,00	170,00	12,00	AS	smooth	0,05	72 NBR 902	BAUSLX2	478571	●
135,00	170,00	12,00	A	smooth	0,05	72 NBR 902	BAUX2	478573	●
135,00	170,00	13,00	C	metal	0,05	72 NBR 902	B2U	23349	●
135,00	170,00	15,00	B	metal	0,05	72 NBR 902	B1	19979	●
135,00	170,00	15,00	C	metal	0,05	72 NBR 902	B2U	23350	●
135,00	170,00	15,00	A	grooved	0,05	75 FKM 585	BAUMX7	389749	●
135,00	180,00	15,00	C	metal	0,05	72 NBR 902	B2U	23351	●
135,00	215,00	12,00	AS	smooth	0,05	72 NBR 902	BAUSLX2	522312	●
138,00	160,00	15,00	C	metal	0,02	72 NBR 902	B2FUD	335197	●
138,00	170,00	15,00	C	metal	0,05	72 NBR 902	B2U	23352	●
140,00	160,00	10,00	AS	smooth	*	72 NBR 902	BABSL	329169	●
140,00	160,00	10,00	AS	smooth	*	75 FKM 595	BABSL	476112	○
140,00	160,00	13,00	B	metal	0,02	72 NBR 902	B1FUD	344711	●
140,00	160,00	13,00	C	metal	0,05	72 NBR 902	B2U	374756	●
140,00	160,00	15,00	C	metal	0,02	72 NBR 902	B2FUD	345082	●
140,00	165,00	12,00	C	metal	0,05	72 NBR 902	B2	22821	●
140,00	165,00	12,00	A	smooth	0,05	72 NBR 902	BA	9475	●
140,00	165,00	15,00	C	metal	0,05	72 NBR 902	B2U	23354	●
140,00	170,00	12,00	AS	smooth	0,02	72 NBR 902	BAFUDSL	12014961	●
140,00	170,00	13,00	CS	metal	0,05	75 FKM 595	B2SL	2272	○
140,00	170,00	13,00	C	metal	0,02	72 NBR 902	B2FUD	335198	●
140,00	170,00	13,00	AS	grooved	0,05	75 FKM 585	BAUMSLX7	434702	●
140,00	170,00	13,00	A	smooth	0,05	72 NBR 902	BAU	9484	●
140,00	170,00	15,00	AS	smooth	*	72 NBR 902	BABSL	12011538	●

● Available from stock    ○ On request: Tool is available, delivery at short notice    \* → Diagram 2, page 18

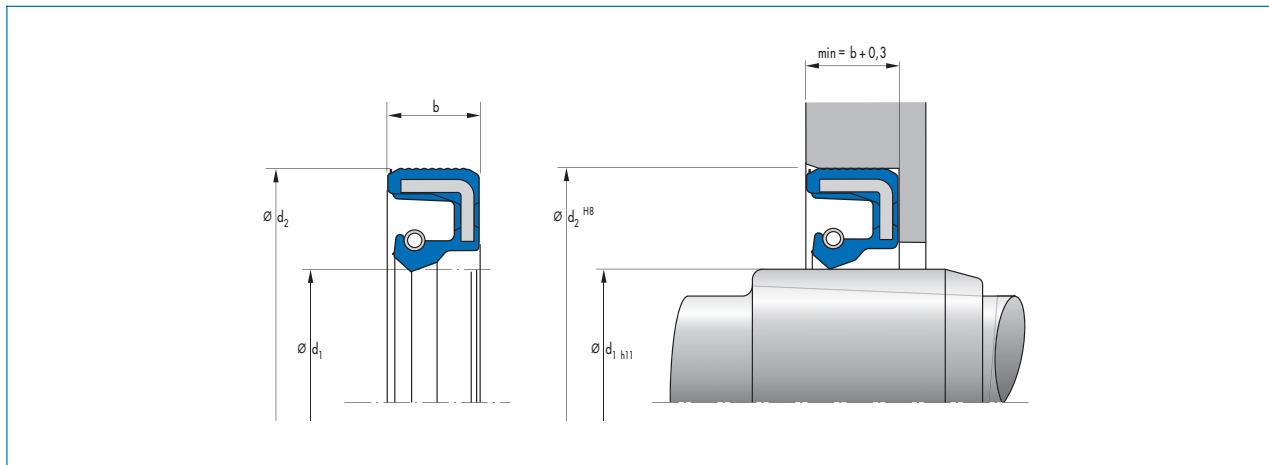


d <sub>1</sub>	d <sub>2</sub>	b	DIN 3761	Outer surface	Pressure	Material	Type	Article No.	
140,00	170,00	15,00	AS	smooth	*	72 NBR 902	BABSL	142668	●
140,00	170,00	15,00	CS	metal	0,02	72 NBR 902	B2FUDSL	334337	●
140,00	170,00	15,00	B	metal	0,02	72 NBR 902	B1FUD	335976	●
140,00	170,00	15,00	C	metal	0,02	72 NBR 902	B2FUD	335993	●
140,00	170,00	15,00	A	grooved	0,05	75 FKM 595	BAUMX7	348664	○
140,00	170,00	15,00	C	metal	up to 1 MPa	PTFE F56101	B2PT	365200	○
140,00	170,00	15,00	AS	smooth	*	75 FKM 595	BABSL	372626	●
140,00	170,00	15,00	A	grooved	0,05	75 FKM 585	BAUMX7	389458	●
140,00	170,00	15,00	A	smooth	0,05	72 NBR 902	BAUX2	478568	○
140,00	170,00	15,00	AS	smooth	0,05	72 NBR 902	BAUSLX2	49011061	●
140,00	170,00	15,00	A	smooth	0,05	72 NBR 902	BA	5743	●
140,00	170,00	15,00	AS	smooth	0,05	72 NBR 902	BASL	9491	●
140,00	170,00	15,00	A	smooth	0,05	72 NBR 902	BA	9493	●
140,00	180,00	12,00	A	smooth	0,02	72 NBR 902	BAFUD	12011089	●
140,00	180,00	12,00	AS	smooth	*	75 FKM 595	BABSL	476731	●
140,00	180,00	12,00	A	smooth	0,05	72 NBR 902	BAUX2	49037538	●
140,00	180,00	12,00	AS	smooth	*	72 NBR 902	BABSL	520212	●
140,00	180,00	15,00	B	metal	0,05	72 NBR 902	B1USL	20194	●
140,00	180,00	15,00	C	metal	0,05	72 NBR 902	B2	23357	●
140,00	180,00	15,00	CS	metal	0,05	72 NBR 902	B2SL	321493	●
140,00	190,00	15,00	C	metal	0,05	72 NBR 902	B2	23358	●
140,00	230,00	15,00	AS	grooved	0,05	72 NBR 902	BAUSLX27	451930	●
140,00	230,00	15,00	AS	smooth	0,05	75 FKM 585	BAUMSL	49012059	●
140,00	230,00	15,00	A	smooth	0,05	75 FKM 585	BAUM	49012122	●
140,00	230,00	15,00	A	grooved	0,05	72 NBR 902	BAUX27	532980	●
140,00	250,00	15,00	A	grooved	0,05	72 NBR 902	BAUX27	467792	●
140,00	250,00	15,00	AS	grooved	0,05	72 NBR 902	BAUSLX27	467868	●
140,00	250,00	15,00	AS	smooth	0,05	75 FKM 585	BAUMSL	49012058	●
140,00	250,00	15,00	A	smooth	0,05	75 FKM 585	BAUM	49012123	●
142,00	170,00	15,00	C	metal	0,05	72 NBR 902	B2U	23535	●
144,00	180,00	15,00	C	metal	0,05	72 NBR 902	B2	23359	●
145,00	165,00	13,00	C	metal	0,02	72 NBR 902	B2FUD	341228	●
145,00	170,00	13,00	BS	metal	0,05	72 NBR 902	B1SL	12011373	●
145,00	170,00	13,00	C	metal	0,05	72 NBR 902	B2U	23360	●
145,00	170,00	13,00	AS	smooth	0,05	72 NBR 902	BAUSLX2	49016145	●
145,00	170,00	13,00	CS	metal	0,05	72 NBR 902	B2SL	5238	●

● Available from stock    ○ On request: Tool is available, delivery at short notice    \* → Diagram 2, page 18

d <sub>1</sub>	d <sub>2</sub>	b	DIN 3761	Outer surface	Pressure	Material	Type	Article No.	
145,00	170,00	15,00	A	smooth	0,05	72 NBR 902	BAU	106590	○
145,00	170,00	15,00	B	metal	0,05	72 NBR 902	B1U	20268	●
145,00	170,00	15,00	C	metal	0,05	72 NBR 902	B2U	23361	●
145,00	175,00	13,00	C	metal	0,05	72 NBR 902	B2U	114908	●
145,00	175,00	15,00	BS	metal	0,02	72 NBR 902	B1FUDSL	116558	●
145,00	175,00	15,00	A	smooth	0,05	72 NBR 902	BA	14163	●
145,00	175,00	15,00	C	metal	0,05	72 NBR 902	B2	2619	●
145,00	175,00	15,00	B	metal	0,05	72 NBR 902	B1	31533	●
145,00	175,00	15,00	A	grooved	0,05	75 FKM 585	BAUMX7	402486	●
145,00	180,00	13,00	AS	smooth	0,02	72 NBR 902	BAFUDSL	12011214	●
145,00	180,00	13,00	C	metal	0,05	72 NBR 902	B2	23362	●
145,00	180,00	15,00	C	metal	0,05	72 NBR 902	B2U	23363	●
145,00	190,00	15,00	C	metal	0,05	72 NBR 902	B2	23364	●
145,00	190,00	17,00	AS	smooth	0,05	72 NBR 902	BAUSLX2	470449	●
145,00	190,00	17,00	AS	smooth	0,05	75 FKM 585	BAUMSL	470450	●
145,00	230,00	17,00	AS	smooth	0,05	72 NBR 902	BAUSLX2	470427	●
145,00	230,00	17,00	AS	smooth	0,05	75 FKM 585	BAUMSL	470428	●
145,00	230,00	17,00	-	smooth	0,05	72 NBR 902	MSS 1	525413	●
145,00	230,00	17,00	-	smooth	0,05	75 FKM 585	MSS 1	525444	○
146,00	178,00	14,00	C	metal	0,05	72 NBR 902	B2	23366	○
146,00	193,70	10,00	AS	smooth	*	72 NBR 902	BABSL	454312	○
148,00	170,00	14,50	CS	metal	0,02	72 NBR 902	B2FUDSL	341227	●
148,00	170,00	15,00	C	metal	0,05	72 NBR 902	B2U	23367	●
148,00	170,00	15,00	A	smooth	0,05	72 NBR 902	BA	9501	●
148,00	180,00	15,00	C	metal	0,05	72 NBR 902	B2U	23368	●
150,00	170,00	15,00	C	metal	0,05	72 NBR 902	B2U	345083	●
150,00	180,00	8,50	AS	smooth	*	72 NBR 902	BABSL	146597	●
150,00	180,00	8,50	AS	smooth	*	75 FKM 585	BABSL	366770	●
150,00	180,00	8,50	AS	smooth	*	72 NBR 902	BABSL	49031083	●
150,00	180,00	13,00	C	metal	0,05	72 NBR 902	B2U	23370	●
150,00	180,00	13,00	C	metal	0,05	75 FKM 595	B2	431416	○
150,00	180,00	13,00	A	smooth	0,05	72 NBR 902	BA	9505	●
150,00	180,00	15,00	B	metal	0,05	72 NBR 902	B1U	19984	●
150,00	180,00	15,00	B	metal	0,05	72 NBR 902	B1USL	20195	○
150,00	180,00	15,00	C	metal	0,05	72 NBR 902	B2U	23371	●
150,00	180,00	15,00	CS	metal	0,05	72 NBR 902	B2USL	355455	●
150,00	180,00	15,00	BS	metal	0,02	72 NBR 902	B1FUDSL	356357	●
150,00	180,00	15,00	A	grooved	0,05	75 FKM 585	BAUMX7	389750	●
150,00	180,00	15,00	B	metal	0,05	72 NBR 902	B1USL	436128	○
150,00	180,00	15,00	A	smooth	0,05	72 NBR 902	BAU	49010296	●
150,00	180,00	15,00	AS	smooth	0,05	72 NBR 902	BAUSLX2	49010594	●
150,00	180,00	15,00	AS	grooved	0,05	75 FKM 585	BAUMSLX7	521014	●
150,00	190,00	15,00	C	metal	0,05	72 NBR 902	B2U	23372	●
150,00	190,00	15,00	C	metal	0,05	75 FKM 595	B2	49033343	○
150,00	200,00	15,00	C	metal	0,05	72 NBR 902	B2	23373	●
150,00	225,00	12,00	-	smooth	0,05	72 NBR 902	MSS 7	522345	●
150,00	225,00	15,00	AS	smooth	0,05	72 NBR 902	BAUSLX2	475365	●
150,00	225,00	15,00	AS	grooved	0,05	75 FKM 585	BAUMSLX7	477610	●
155,00	174,00	12,00	A	smooth	0,05	75 FKM 595	BAUM	410711	○
155,00	174,00	12,00	A	smooth	0,05	72 NBR 902	BA	9518	●

● Available from stock    ○ On request: Tool is available, delivery at short notice    \* → Diagram 2, page 18

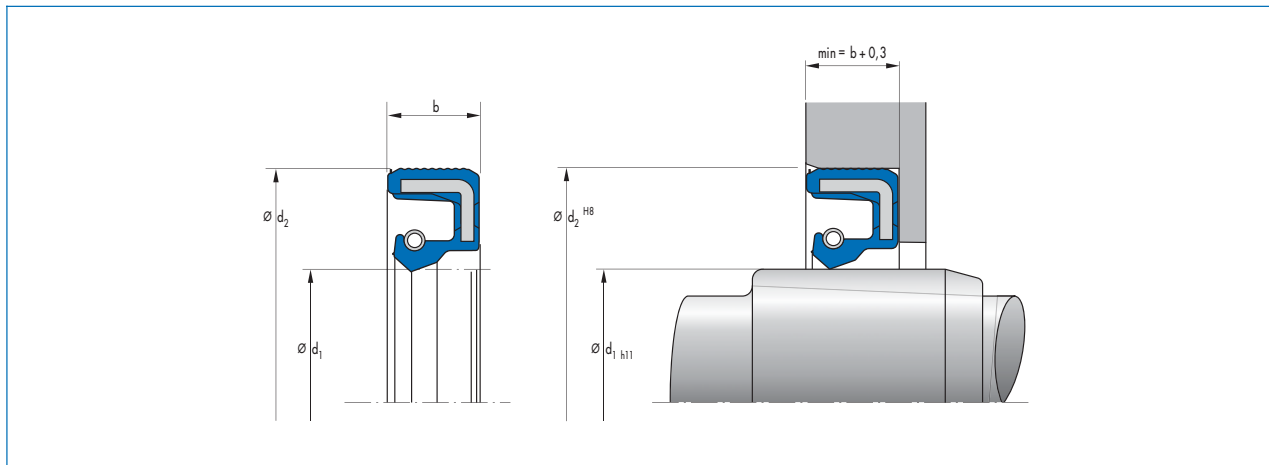


d <sub>1</sub>	d <sub>2</sub>	b	DIN 3761	Outer surface	Pressure	Material	Type	Article No.	
155,00	180,00	15,00	C	metal	0,05	72 NBR 902	B2	23376	●
155,00	180,00	15,00	A	smooth	0,05	75 FKM 585	BAUM	463990	○
155,00	180,00	15,00	AS	grooved	0,05	75 FKM 585	BAUMSLX7	474107	●
155,00	180,00	15,00	AS	smooth	0,05	72 NBR 902	BAUSLX2	478569	●
155,00	180,00	15,00	A	smooth	0,05	72 NBR 902	BAUX2	478570	●
155,00	190,00	13,00	AS	smooth	0,05	72 NBR 902	BAUSLX2	478579	●
155,00	190,00	13,00	A	smooth	0,05	72 NBR 902	BAUX2	478580	●
155,00	190,00	15,00	B	metal	0,05	72 NBR 902	B1	19985	●
155,00	190,00	15,00	C	metal	0,05	72 NBR 902	B2	23377	●
155,00	200,00	15,00	C	metal	0,05	72 NBR 902	B2	23379	●
155,00	225,00	12,00	AS	smooth	0,05	72 NBR 902	BAUSLX2	522354	●
158,00	180,00	15,00	C	metal	0,05	72 NBR 902	B2U	22826	●
160,00	180,00	10,00	B	metal	0,05	72 NBR 902	B1USL	328020	●
160,00	180,00	15,00	C	metal	0,02	72 NBR 902	B2FUD	395523	●
160,00	185,00	8,50	AS	smooth	*	72 NBR 902	BABSL	3790	●
160,00	185,00	10,00	B	metal	0,05	72 NBR 902	B1U	19986	●
160,00	185,00	10,00	A	smooth	0,05	72 NBR 902	BA	36952	●
160,00	185,00	14,00	A	smooth	0,05	72 NBR 902	BAU	331905	●
160,00	190,00	8,50	AS	smooth	*	75 FKM 595	BABSL	464827	○
160,00	190,00	13,00	B	metal	0,05	72 NBR 902	B1	19987	●
160,00	190,00	13,00	C	metal	0,05	72 NBR 902	B2	23380	●
160,00	190,00	15,00	AS	smooth	0,05	72 NBR 902	BASL	122255	●
160,00	190,00	15,00	B	metal	0,05	72 NBR 902	B1	19988	●
160,00	190,00	15,00	C	metal	0,05	72 NBR 902	B2U	23381	●
160,00	190,00	15,00	A	smooth	0,05	72 NBR 902	BAU	2627	●
160,00	190,00	15,00	A	smooth	0,05	72 NBR 902	BAU	323701	○
160,00	190,00	15,00	CS	metal	0,02	72 NBR 902	B2FUDSL	355453	●
160,00	190,00	15,00	A	grooved	0,05	75 FKM 585	BAUMX7	389752	●
160,00	190,00	15,00	AS	smooth	0,05	72 NBR 902	BAUSLX2	49030496	●
160,00	190,00	15,00	AS	grooved	0,05	75 FKM 585	BAUMSLX7	521015	●
160,00	200,00	10,00	AS	smooth	*	72 NBR 902	BABSL	523618	●
160,00	200,00	10,00	AS	smooth	*	75 FKM 595	BABSL	523619	●
160,00	200,00	15,00	C	metal	0,05	72 NBR 902	B2U	23383	●
160,00	240,00	14,00	AS	smooth	0,05	72 NBR 902	BAUSLX2	475366	●
160,00	240,00	14,00	AS	grooved	0,05	75 FKM 585	BAUMSLX7	477614	●
160,00	290,00	18,00	AS	grooved	0,05	72 NBR 902	BAUSLX27	452148	●

● Available from stock    ○ On request: Tool is available, delivery at short notice    \* → Diagram 2, page 18

d <sub>1</sub>	d <sub>2</sub>	b	DIN 3761	Outer surface	Pressure	Material	Type	Article No.	
160,00	290,00	18,00	A	grooved	0,05	72 NBR 902	BAUX27	452149	●
160,00	290,00	18,00	AS	smooth	0,05	75 FKM 595	BAUMSL	49012057	●
160,00	290,00	18,00	A	smooth	0,05	75 FKM 595	BAUM	49012110	●
162,00	190,00	12,00	A	smooth	0,05	75 FKM 585	BAUM	410714	○
162,00	190,00	12,00	AS	smooth	0,05	72 NBR 902	BAUSLX2	478561	●
162,00	190,00	12,00	A	smooth	0,05	72 NBR 902	BAUX2	478563	●
162,00	190,00	12,00	AS	grooved	0,05	75 FKM 585	BAUMSLX7	520229	●
162,00	190,00	15,00	C	metal	0,05	72 NBR 902	B2	23384	●
165,00	190,00	13,00	B	metal	0,05	72 NBR 902	B1U	19989	●
165,00	190,00	13,00	B	metal	0,05	72 NBR 902	B1USL	20199	●
165,00	190,00	13,00	C	metal	0,05	72 NBR 902	B2U	23386	●
165,00	190,00	13,00	A	smooth	0,05	72 NBR 902	BA	9529	●
165,00	190,00	15,00	B	metal	0,05	72 NBR 902	B1U	19990	●
165,00	190,00	15,00	C	metal	0,05	72 NBR 902	B2U	23387	●
165,00	200,00	15,00	C	metal	0,05	72 NBR 902	B2	23388	●
168,00	190,00	15,00	C	metal	0,05	72 NBR 902	B2U	22828	●
168,00	190,00	15,00	A	smooth	0,05	75 FKM 595	BAUM	342151	○
168,00	200,00	15,00	C	metal	0,05	72 NBR 902	B2U	23389	●
168,00	200,00	15,00	C	metal	0,05	75 FKM 585	B2U	326623	○
170,00	190,00	15,00	B	metal	0,05	72 NBR 902	B1USL	315273	●
170,00	190,00	15,00	C	metal	0,02	72 NBR 902	B2FUD	341226	●
170,00	200,00	12,00	BS	metal	0,05	72 NBR 902	B1SL	37129	●
170,00	200,00	12,00	AS	smooth	*	75 FKM 595	BABSL	476560	○
170,00	200,00	12,00	AS	smooth	*	72 NBR 902	BABSL	520211	●
170,00	200,00	13,00	C	metal	0,05	72 NBR 902	B2U	23391	●
170,00	200,00	14,00	AS	smooth	*	72 NBR 902	BABSL	146585	●
170,00	200,00	14,00	AS	smooth	*	75 FKM 595	BABSL	397048	●
170,00	200,00	15,00	CS	metal	0,05	72 NBR 902	B2SL	23503	●
170,00	200,00	15,00	A	smooth	0,05	72 NBR 902	BA	31453	●
170,00	200,00	15,00	BS	metal	0,05	72 NBR 902	B1SL	31473	○
170,00	200,00	15,00	C	metal	0,02	72 NBR 902	B2FUD	355457	●
170,00	200,00	15,00	B	metal	0,02	72 NBR 902	B1FUD	356360	●
170,00	200,00	15,00	AS	grooved	0,02	72 NBR 902	BAFUDSLX7	364313	●
170,00	200,00	15,00	A	grooved	0,05	75 FKM 585	BAUMX7	389755	●
170,00	200,00	15,00	AS	grooved	0,05	75 FKM 585	BAUMSLX7	521016	●
170,00	215,00	16,00	C	metal	0,05	72 NBR 902	B2	23393	●
170,00	215,00	16,00	CS	metal	0,05	72 NBR 902	B2USL	478559	○
170,00	215,00	16,00	C	metal	0,05	72 NBR 902	B2U	478560	●
172,00	190,00	8,50	AS	smooth	*	75 FKM 595	BABSL	469004	●
172,00	200,00	15,00	C	metal	0,05	72 NBR 902	B2U	23395	●
174,00	190,00	5,00	A	smooth	0,05	72 NBR 902	BAUSL	406551	○
175,00	200,00	15,00	C	metal	0,02	72 NBR 902	B2FUD	334979	●
175,00	200,00	15,00	B	metal	0,05	75 FKM 595	B1U	426969	○
175,00	200,00	15,00	A	smooth	0,05	72 NBR 902	BAU	526213	●
175,00	205,00	15,00	C	metal	up to 1 MPa	PTFE F56101	B2PT	471887	○
175,00	205,00	15,00	A	smooth	0,05	72 NBR 902	BA	9550	●
175,00	215,00	16,00	C	metal	0,05	72 NBR 902	B2U	23397	●
178,00	200,00	15,00	C	metal	0,05	72 NBR 902	B2U	23399	●
178,00	215,00	16,00	C	metal	0,05	72 NBR 902	B2	23400	●
180,00	200,00	12,00	C	metal	0,05	72 NBR 902	B2U	339544	●

● Available from stock    ○ On request: Tool is available, delivery at short notice    \* → Diagram 2, page 18



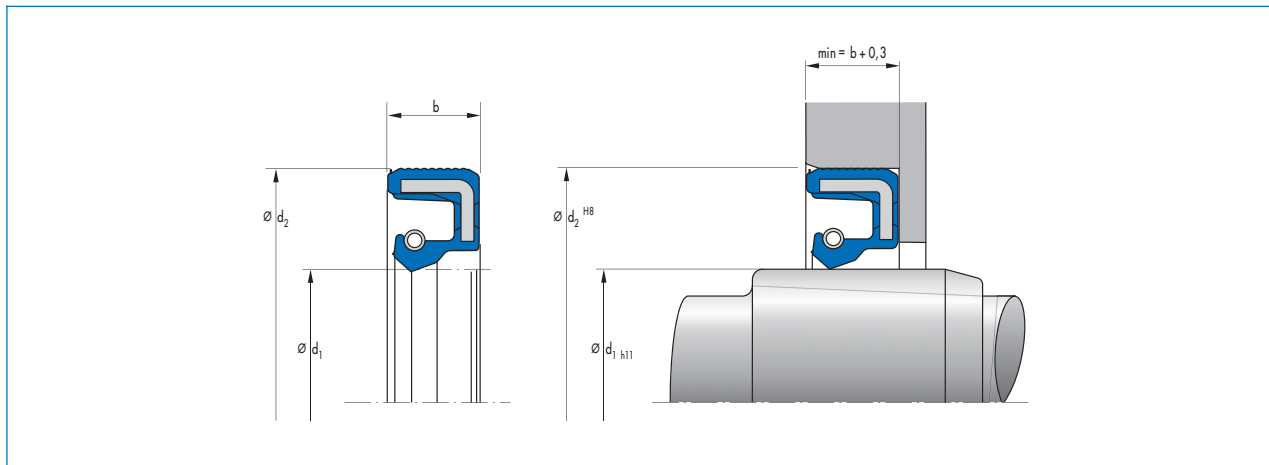
d <sub>1</sub>	d <sub>2</sub>	b	DIN 3761	Outer surface	Pressure	Material	Type	Article No.	
180,00	200,00	12,00	B	metal	0,05	72 NBR 902	B1USL	49002098	○
180,00	200,00	15,00	C	metal	0,05	72 NBR 902	B2U	23567	●
180,00	200,00	15,00	CS	metal	0,05	72 NBR 902	B2SL	326786	●
180,00	210,00	8,50	AS	smooth	*	72 NBR 902	BABSL	367484	●
180,00	210,00	8,50	AS	smooth	*	75 FKM 595	BABSL	520626	●
180,00	210,00	15,00	B	metal	0,05	72 NBR 902	B1U	19129	●
180,00	210,00	15,00	C	metal	0,05	72 NBR 902	B2U	2630	●
180,00	210,00	15,00	A	grooved	0,02	72 NBR 902	BAFUDX27	346139	●
180,00	210,00	15,00	A	grooved	0,05	75 FKM 585	BAUMX7	402490	●
180,00	210,00	15,00	AS	grooved	0,05	75 FKM 585	BAUMSLX7	521017	●
180,00	215,00	15,00	CS	metal	0,05	72 NBR 902	B2USL	27471	●
180,00	215,00	16,00	B	metal	0,05	72 NBR 902	B1	19992	●
180,00	215,00	16,00	C	metal	0,05	72 NBR 902	B2U	23402	●
180,00	215,00	16,00	AS	smooth	0,05	75 FKM 585	BAUMSL	392790	○
180,00	220,00	16,00	C	metal	0,05	72 NBR 902	B2	23403	●
182,00	215,00	16,00	C	metal	0,05	72 NBR 902	B2	23404	●
184,00	210,00	15,00	AS	smooth	0,05	75 FKM 595	BAUMSL	304125	○
185,00	205,00	11,00	AS	smooth	*	75 FKM 595	BABSL	531100	●
185,00	205,00	11,00	AS	smooth	*	72 NBR 902	BABSL	531108	●
185,00	210,00	13,00	A	grooved	0,02	72 NBR 902	BAFUDX27	334281	●
185,00	215,00	15,00	C	metal	0,05	72 NBR 902	B2U	23405	●
185,00	215,00	16,00	CS	metal	0,05	72 NBR 902	B2SL	100795	●
185,00	215,00	16,00	CS	metal	0,05	72 NBR 902	B2SL	23480	○
185,00	215,00	16,00	C	metal	0,05	75 FKM 585	B2U	471587	○
185,00	230,00	16,00	C	metal	0,05	72 NBR 902	B2	23406	●
188,00	215,00	16,00	C	metal	0,05	72 NBR 902	B2	23407	●
190,00	215,00	15,00	B	metal	0,05	72 NBR 902	B1U	19994	●
190,00	215,00	16,00	C	metal	0,05	72 NBR 902	B2U	22831	●
190,00	220,00	12,00	A	smooth	0,05	72 NBR 902	BAUSL	9561	●
190,00	220,00	15,00	A	smooth	0,05	72 NBR 902	BAU	11458	○
190,00	220,00	15,00	A	grooved	0,02	72 NBR 902	BAFUDX27	334745	●
190,00	220,00	15,00	C	metal	0,02	72 NBR 902	B2FUD	345085	●
190,00	220,00	15,00	B	metal	0,02	72 NBR 902	B1FUD	345090	●
190,00	220,00	15,00	AS	smooth	*	75 FKM 595	BABSL	363446	●
190,00	220,00	15,00	A	grooved	0,05	75 FKM 585	BAUMX7	389697	●
190,00	220,00	15,00	AS	smooth	*	72 NBR 902	BABSL	427821	●

● Available from stock    ○ On request: Tool is available, delivery at short notice    \* → Diagram 2, page 18



d <sub>1</sub>	d <sub>2</sub>	b	DIN 3761	Outer surface	Pressure	Material	Type	Article No.	
190,00	220,00	15,00	AS	grooved	0,05	75 FKM 585	BAUMSLX7	454176	●
190,00	220,00	16,00	B	metal	0,02	72 NBR 902	B1FUD	345091	●
190,00	220,00	16,00	B	metal	0,05	75 FKM 585	B1U	49011248	○
190,00	225,00	16,00	AS	smooth	0,05	72 NBR 902	BAUSLX2	478703	●
190,00	225,00	16,00	A	smooth	0,05	72 NBR 902	BAUX2	478704	●
190,00	230,00	16,00	C	metal	0,05	72 NBR 902	B2	23409	●
195,00	220,00	16,00	C	metal	0,05	72 NBR 902	B2U	23411	●
195,00	220,00	16,00	C	metal	0,05	75 FKM 595	B2U	530942	○
195,00	230,00	15,00	C	metal	0,05	72 NBR 902	B2	23412	●
200,00	230,00	13,00	AS	smooth	*	72 NBR 902	BABSL	360342	●
200,00	230,00	13,00	AS	smooth	*	75 FKM 595	BABSL	529444	●
200,00	230,00	15,00	B	metal	0,05	72 NBR 902	B1USL	20269	●
200,00	230,00	15,00	C	metal	0,05	72 NBR 902	B2U	23414	●
200,00	230,00	15,00	B	metal	0,05	72 NBR 902	B1	26728	●
200,00	230,00	15,00	A	smooth	0,05	72 NBR 902	BA	31464	●
200,00	230,00	15,00	CS	metal	0,05	72 NBR 902	B2SL	34917	●
200,00	230,00	15,00	A	smooth	0,05	72 NBR 902	BAUSL	349992	●
200,00	230,00	15,00	A	grooved	0,05	75 FKM 585	BAUMX7	407051	●
200,00	230,00	15,00	AS	grooved	0,05	75 FKM 585	BAUMSLX7	520230	●
200,00	230,00	16,00	B	metal	0,05	72 NBR 902	B1U	19996	●
200,00	250,00	15,00	C	metal	0,05	72 NBR 902	B2	23415	●
200,00	310,00	18,00	AS	smooth	0,05	75 FKM 595	BAUMSL	49011949	●
200,00	310,00	18,00	A	smooth	0,05	75 FKM 595	BAUM	49012111	●
205,00	230,00	15,00	B	metal	0,05	72 NBR 902	B1	19997	●
205,00	230,00	15,00	A	grooved	0,05	75 FKM 585	BAUMX7	528843	●
205,00	230,00	16,00	C	metal	0,05	72 NBR 902	B2U	22832	●
205,00	250,00	16,00	C	metal	0,05	72 NBR 902	B2	25648	●
210,00	240,00	15,00	B	metal	0,05	72 NBR 902	B1U	19239	●
210,00	240,00	15,00	A	smooth	0,05	72 NBR 902	BA	2546	●
210,00	240,00	15,00	C	metal	0,05	72 NBR 902	B2	2551	●
210,00	240,00	15,00	C	metal	0,05	75 FKM 595	B2U	312565	○
210,00	240,00	15,00	AS	grooved	0,05	75 FKM 585	BAUMSLX7	474108	●
210,00	250,00	16,00	C	metal	0,05	72 NBR 902	B2U	23418	●
215,00	235,00	10,00	AS	smooth	0,05	75 FKM 595	BAUMSL	478540	○
215,00	240,00	12,00	A	smooth	0,05	72 NBR 902	BAUX2	9577	●
215,00	245,00	16,00	C	metal	0,05	75 FKM 585	B2U	327418	○
215,00	250,00	16,00	C	metal	0,05	72 NBR 902	B2U	23419	●
215,00	250,00	16,00	C	metal	0,05	75 FKM 595	B2U	429789	○
215,00	250,00	16,00	A	smooth	0,05	72 NBR 902	BAU	9580	●
218,00	250,00	16,00	C	metal	0,05	72 NBR 902	B2	23420	●
220,00	250,00	11,00	B	metal	0,05	72 NBR 902	B1	20440	●
220,00	250,00	15,00	CS	metal	0,05	72 NBR 902	B2SL	150730	●
220,00	250,00	15,00	B	metal	0,05	72 NBR 902	B1	20444	●
220,00	250,00	15,00	C	metal	0,05	72 NBR 902	B2U	23421	●
220,00	250,00	15,00	C	metal	0,05	75 FKM 595	B2U	433549	○
220,00	250,00	15,00	A	grooved	0,05	75 FKM 585	BAUMX7	435004	●
220,00	250,00	15,00	AS	grooved	0,05	75 FKM 585	BAUMSLX7	468763	●
220,00	250,00	15,00	CS	metal	0,05	72 NBR 902	B2USL	478509	●
220,00	250,00	15,00	C	metal	0,05	72 NBR 902	B2U	478510	●
220,00	250,00	15,00	AS	grooved	0,05	72 NBR 902	BAUSLX7	49027671	●

● Available from stock    ○ On request: Tool is available, delivery at short notice    \* → Diagram 2, page 18

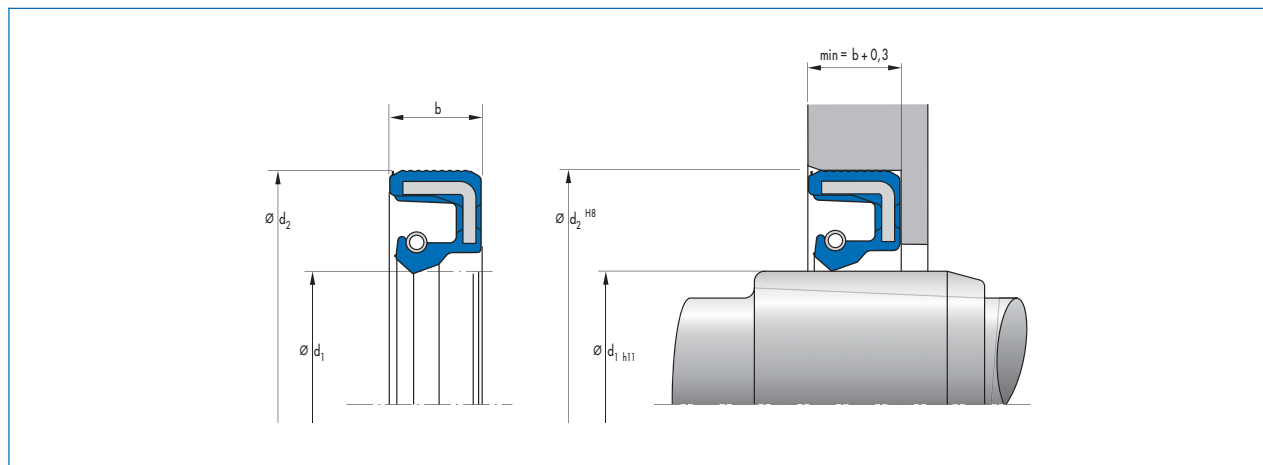


d <sub>1</sub>	d <sub>2</sub>	b	DIN 3761	Outer surface	Pressure	Material	Type	Article No.	
220,00	250,00	15,00	A	grooved	0,02	72 NBR 902	BAUX7	49027702	●
220,00	250,00	16,00	BS	metal	0,05	72 NBR 902	B1SL	21153	●
220,00	270,00	15,00	C	metal	0,05	72 NBR 902	B2	23714	●
225,00	250,00	16,00	C	metal	0,05	72 NBR 902	B2	22834	●
225,00	270,00	16,00	C	metal	0,05	72 NBR 902	B2	23715	●
230,00	250,00	8,00	A	smooth	un-pressurised	72 NBR 902	BAOF	316204	●
230,00	255,00	10,00	B	metal	0,05	72 NBR 902	B1	20441	●
230,00	255,00	15,00	A	smooth	0,05	72 NBR 902	BAUX2	49020472	●
230,00	260,00	15,00	A	smooth	0,05	72 NBR 902	BA	14221	●
230,00	260,00	15,00	B	metal	0,05	72 NBR 902	B1	20859	●
230,00	260,00	15,00	C	metal	0,05	72 NBR 902	B2	2555	●
230,00	260,00	15,00	AS	smooth	0,05	72 NBR 902	BASL	28250	●
230,00	260,00	15,00	A	grooved	0,05	75 FKM 585	BAUMX7	412593	●
230,00	260,00	15,00	AS	grooved	0,05	75 FKM 585	BAUMSLX7	520231	●
230,00	260,00	15,00	C	metal	0,05	75 FKM 595	B2	83032	○
230,00	270,00	15,00	C	metal	0,05	72 NBR 902	B2	23718	●
230,00	270,00	16,00	B	metal	0,05	72 NBR 902	B1U	20446	●
230,00	280,00	16,00	C	metal	0,05	72 NBR 902	B2	23719	●
235,00	270,00	16,00	C	metal	0,05	72 NBR 902	B2U	23720	●
240,00	270,00	8,50	AS	smooth	*	72 NBR 902	BABSL	412661	●
240,00	270,00	8,50	AS	smooth	*	75 FKM 595	BABSL	430275	●
240,00	270,00	15,00	B	metal	0,05	72 NBR 902	B1	27251	●
240,00	270,00	15,00	A	smooth	0,05	75 FKM 585	BAUM	414150	●
240,00	270,00	15,00	CS	metal	0,05	72 NBR 902	B2USL	478504	●
240,00	270,00	15,00	C	metal	0,05	72 NBR 902	B2U	478505	●
240,00	270,00	15,00	AS	smooth	0,05	72 NBR 902	BAUSLX2	478705	●
240,00	270,00	15,00	A	smooth	0,05	72 NBR 902	BAUX2	478706	○
240,00	270,00	15,00	AS	grooved	0,05	75 FKM 585	BAUMSLX7	520694	●
240,00	270,00	15,00	C	metal	0,05	75 FKM 585	B2U	67082	○
240,00	270,00	15,00	A	smooth	0,05	72 NBR 902	BAU	9592	●
240,00	280,00	16,00	C	metal	0,05	72 NBR 902	B2	23722	●
240,00	280,00	16,00	C	metal	0,05	75 FKM 585	B2	455906	○
240,00	290,00	16,00	C	metal	0,05	72 NBR 902	B2	23723	●
245,00	270,00	16,00	C	metal	0,05	72 NBR 902	B2U	23708	●
250,00	280,00	15,00	B	metal	0,05	72 NBR 902	B1	12086	●
250,00	280,00	15,00	A	smooth	0,05	75 FKM 585	BAUM	142223	○

● Available from stock    ○ On request: Tool is available, delivery at short notice    \* → Diagram 2, page 18

d <sub>1</sub>	d <sub>2</sub>	b	DIN 3761	Outer surface	Pressure	Material	Type	Article No.	
250,00	280,00	15,00	C	metal	0,05	72 NBR 902	B2	2563	●
250,00	280,00	15,00	C	metal	0,05	75 FKM 585	B2	330565	○
250,00	280,00	15,00	A	smooth	0,05	72 NBR 902	BA	38350	●
250,00	280,00	15,00	CS	metal	0,05	72 NBR 902	B2SL	478501	●
250,00	280,00	15,00	C	metal	0,05	72 NBR 902	B2U	478503	●
250,00	280,00	15,00	AS	smooth	0,05	72 NBR 902	BAUSLX2	478708	●
250,00	280,00	15,00	A	grooved	0,05	75 FKM 585	BAUMX7	49035578	○
250,00	280,00	15,00	AS	grooved	0,05	75 FKM 585	BAUMSLX7	520695	●
250,00	280,00	16,00	C	metal	0,05	72 NBR 902	B2	23725	●
250,00	290,00	16,00	C	metal	0,05	72 NBR 902	B2	23726	●
255,00	290,00	12,00	A	smooth	0,05	72 NBR 902	BAU	303665	●
255,00	290,00	16,00	C	metal	0,05	72 NBR 902	B2U	23727	●
260,00	280,00	10,00	AS	smooth	*	72 NBR 902	BABSL	407571	●
260,00	280,00	10,00	AS	smooth	*	75 FKM 595	BABSL	520246	●
260,00	280,00	16,00	C	metal	0,05	72 NBR 902	B2	25363	●
260,00	290,00	16,00	C	metal	0,05	72 NBR 902	B2U	23728	●
260,00	290,00	16,00	C	metal	0,05	75 FKM 595	B2	301481	○
260,00	300,00	20,00	B	metal	0,05	72 NBR 902	B1U	2564	●
260,00	300,00	20,00	C	metal	0,05	72 NBR 902	B2	31706	●
260,00	300,00	20,00	AS	grooved	0,05	75 FKM 585	BAUMSLX7	520696	●
260,00	310,00	16,00	C	metal	0,05	72 NBR 902	B2U	23729	●
265,00	290,00	16,00	C	metal	0,05	72 NBR 902	B2U	23746	●
265,00	290,00	16,00	C	metal	0,05	75 FKM 595	B2	387240	○
265,00	310,00	16,00	C	metal	0,05	72 NBR 902	B2	23731	●
270,00	300,00	15,00	A	smooth	0,05	75 FKM 585	BAUM	333308	○
270,00	310,00	16,00	CS	metal	0,05	72 NBR 902	B2USL	150423	●
270,00	310,00	16,00	C	metal	0,05	72 NBR 902	B2	23733	●
270,00	310,00	16,00	A	smooth	0,05	75 FKM 585	BAUM	335347	○
270,00	310,00	16,00	B	metal	0,05	72 NBR 902	B1	359071	●
270,00	310,00	16,00	C	metal	0,05	75 FKM 595	B2	376654	○
275,00	310,00	16,00	C	metal	0,05	72 NBR 902	B2	23734	●
280,00	310,00	16,00	C	metal	0,05	72 NBR 902	B2	23736	●
280,00	320,00	20,00	B	metal	0,05	72 NBR 902	B1	2526	●
280,00	320,00	20,00	C	metal	0,05	72 NBR 902	B2	26356	●
280,00	320,00	20,00	CS	metal	0,05	72 NBR 902	B2USL	304607	●
280,00	320,00	20,00	C	metal	0,05	75 FKM 595	B2	308782	○
280,00	320,00	20,00	AS	grooved	0,05	75 FKM 585	BAUMSLX7	520697	●
285,00	310,00	16,00	C	metal	0,05	72 NBR 902	B2U	23710	●
285,00	325,00	16,00	A	smooth	0,05	72 NBR 902	BA	9600	●
290,00	330,00	16,00	B	metal	0,05	72 NBR 902	B1USL	20449	●
290,00	330,00	18,00	C	metal	0,05	72 NBR 902	B2U	31476	●
300,00	332,00	16,00	C	metal	0,05	72 NBR 902	B2	23750	●
300,00	335,00	18,00	C	metal	0,05	72 NBR 902	B2	23745	●
300,00	340,00	16,00	AS	grooved	0,05	72 NBR 902	BAUSLX7	346539	●
300,00	340,00	16,00	A	smooth	0,05	75 FKM 585	BAUM	530862	○
300,00	340,00	16,00	A	smooth	0,05	72 NBR 902	BA	9603	●
300,00	340,00	20,00	B	metal	0,05	72 NBR 902	B1	13450	●
300,00	340,00	20,00	C	metal	0,05	72 NBR 902	B2	2528	●
300,00	340,00	20,00	AS	smooth	*	72 NBR 902	BABSL	421276	●
300,00	340,00	20,00	C	metal	0,05	75 FKM 595	B2	435428	○

● Available from stock    ○ On request: Tool is available, delivery at short notice    \* → Diagram 2, page 18



d <sub>1</sub>	d <sub>2</sub>	b	DIN 3761	Outer surface	Pressure	Material	Type	Article No.	
300,00	340,00	20,00	AS	grooved	0,05	75 FKM 585	BAUMSLX7	520698	●
310,00	350,00	18,00	C	metal	0,05	72 NBR 902	B2	25369	●
310,00	350,00	18,00	C	metal	0,05	75 FKM 595	B2	389112	○
315,00	355,00	18,00	C	metal	0,05	72 NBR 902	B2	23737	●
315,00	365,00	20,00	C	metal	0,05	75 FKM 595	B2U	126441	○
315,00	365,00	20,00	C	metal	0,05	72 NBR 902	B2	23531	●
320,00	340,00	10,00	B	metal	un-pressurised	72 NBR 902	B1OF	429045	○
320,00	350,00	18,00	C	metal	0,05	72 NBR 902	B2	34939	●
320,00	360,00	18,00	C	metal	0,05	72 NBR 902	B2	23738	●
320,00	360,00	18,00	C	metal	0,05	75 FKM 595	B2	424128	○
320,00	360,00	20,00	B	metal	0,05	72 NBR 902	B1	17866	●
320,00	360,00	20,00	C	metal	0,05	72 NBR 902	B2	2530	●
320,00	360,00	20,00	A	smooth	0,05	75 FKM 595	BAUM	324209	○
320,00	360,00	20,00	C	metal	0,05	75 FKM 595	B2	459247	○
320,00	360,00	20,00	AS	grooved	0,05	75 FKM 585	BAUMSLX7	520699	●
325,00	365,00	16,00	C	metal	0,05	72 NBR 902	B2	23760	●
330,00	370,00	18,00	C	metal	0,05	72 NBR 902	B2	23739	●
335,00	375,00	18,00	A	smooth	0,05	72 NBR 902	BA	9608	●
340,00	372,00	16,00	C	metal	0,05	72 NBR 902	B2	23754	●
340,00	380,00	18,00	C	metal	0,05	72 NBR 902	B2	23740	●
340,00	380,00	20,00	C	metal	0,05	75 FKM 585	B2	126482	○
340,00	380,00	20,00	C	metal	0,05	72 NBR 902	B2	2531	●
340,00	380,00	20,00	B	metal	0,05	72 NBR 902	B1	31645	●
340,00	380,00	20,00	A	grooved	0,05	75 FKM 585	BAUMX7	522482	○
340,00	380,00	20,00	AS	grooved	0,05	75 FKM 585	BAUMSLX7	523042	●
350,00	380,00	16,00	B	metal	0,05	72 NBR 902	B1	20447	●
350,00	390,00	18,00	C	metal	0,05	72 NBR 902	B2	23741	●
360,00	392,00	20,00	C	metal	0,05	72 NBR 902	B2	25510	●
360,00	400,00	18,00	C	metal	0,05	72 NBR 902	B2	23711	●
360,00	400,00	20,00	C	metal	0,05	75 FKM 595	B2	102925	○
360,00	400,00	20,00	B	metal	0,05	72 NBR 902	B1	2533	●
360,00	400,00	20,00	C	metal	0,05	72 NBR 902	B2	31739	●
365,00	405,00	18,00	C	metal	0,05	72 NBR 902	B2	23749	●
380,00	420,00	20,00	C	metal	0,05	75 FKM 585	B2	117105	○
380,00	420,00	20,00	C	metal	0,05	72 NBR 902	B2	2535	●
380,00	420,00	20,00	B	metal	0,05	72 NBR 902	B1	31667	●

● Available from stock    ○ On request: Tool is available, delivery at short notice    \* → Diagram 2, page 18

d <sub>1</sub>	d <sub>2</sub>	b	DIN 3761	Outer surface	Pressure	Material	Type	Article No.	
380,00	430,00	19,00	C	metal	0,05	72 NBR 902	B2	25375	●
390,00	430,00	18,00	C	metal	0,05	72 NBR 902	B2	3565	●
394,00	420,00	16,00	AS	smooth	0,05	72 NBR 902	BASL	528215	●
394,00	420,00	16,00	A	smooth	0,05	72 NBR 902	BA	9611	●
395,00	430,00	18,00	C	metal	0,05	72 NBR 902	B2	23743	●
400,00	425,00	15,00	A	smooth	0,05	72 NBR 902	BA	355085	●
400,00	440,00	20,00	C	metal	0,05	72 NBR 902	B2	25377	●
400,00	440,00	20,00	B	metal	0,05	72 NBR 902	B1	31653	●
400,00	440,00	20,00	C	metal	0,05	75 FKM 595	B2	437815	○
400,00	450,00	20,00	A	smooth	0,05	72 NBR 902	BA	10569	●
420,00	460,00	20,00	C	metal	0,05	72 NBR 902	B2	23759	●
420,00	460,00	20,00	B	metal	0,05	72 NBR 902	B1	31668	●
420,00	460,00	20,00	A	smooth	0,05	75 FKM 585	BAUM	346641	○
420,00	460,00	20,00	C	metal	0,05	75 FKM 595	B2	428983	○
420,00	460,00	20,00	C	metal	0,05	75 FKM 595	B2	49011887	●
440,00	470,00	20,00	C	metal	0,05	72 NBR 902	B2	23748	●
440,00	480,00	20,00	B	metal	0,05	72 NBR 902	B1	2536	●
440,00	480,00	20,00	C	metal	0,05	72 NBR 902	B2	31751	●
440,00	480,00	20,00	B	metal	0,05	75 FKM 595	B1	429204	○
448,00	480,00	15,00	A	smooth	0,05	75 FKM 585	BAUM	451881	○
460,00	500,00	20,00	C	metal	0,05	72 NBR 902	B2	2539	●
460,00	500,00	20,00	B	metal	0,05	72 NBR 902	B1	31700	●
460,00	500,00	20,00	B	metal	0,05	75 FKM 585	B1	477548	○
467,00	510,00	20,00	C	metal	0,05	72 NBR 902	B2	23753	●
480,00	520,00	20,00	A	smooth	0,05	72 NBR 902	BA	10579	●
480,00	520,00	20,00	C	metal	0,05	72 NBR 902	B2	19783	●
480,00	520,00	20,00	B	metal	0,05	72 NBR 902	B1	31702	●
480,00	520,00	20,00	A	smooth	0,05	75 FKM 595	BAUM	49008731	○
500,00	540,00	20,00	C	metal	0,05	72 NBR 902	B2	2544	●
500,00	540,00	20,00	B	metal	0,05	72 NBR 902	B1	31704	●
500,00	540,00	20,00	B	metal	0,05	75 FKM 595	B1	430099	○
500,00	550,00	20,00	A	smooth	0,05	80 NBR 709	BAU	10580	●
530,00	580,00	20,00	C	metal	0,05	72 NBR 902	B2	105909	○
530,00	580,00	20,00	A	smooth	0,05	75 FKM 585	BAUM	49013753	○
540,00	585,00	30,00	A	smooth	0,05	72 NBR 902	BADUO	319550	○
560,00	610,00	20,00	A	smooth	0,05	80 NBR 709	BA	10582	●
560,00	610,00	20,00	A	smooth	0,05	75 FKM 595	BAUM	425242	○
600,00	640,00	20,00	C	metal	0,05	80 NBR 709	B2	23692	●
600,00	640,00	20,00	A	smooth	0,05	72 NBR 902	BA	307130	●
630,00	670,00	20,00	B	metal	0,05	75 FKM 595	B1USL	432655	○
640,00	680,00	20,00	C	metal	0,05	72 NBR 902	B2U	387666	●
650,00	690,00	20,00	C	metal	0,05	72 NBR 902	B2	88794	○
670,00	710,00	20,00	C	metal	0,05	72 NBR 902	B2	150313	○
680,00	730,00	20,00	C	metal	0,05	75 FKM 595	B2	435412	○
710,00	760,00	20,00	C	metal	0,05	80 NBR 709	B2	23684	●
760,00	800,00	20,00	C	metal	0,05	72 NBR 902	B2U	388786	○
760,00	800,00	20,00	A	smooth	0,05	75 FKM 585	BAUM	437124	○
799,00	860,00	25,00	C	metal	0,05	72 NBR 902	B2	125558	○
810,00	850,00	20,00	A	smooth	0,05	75 FKM 585	BAUM	436090	○
930,00	990,00	25,00	C	metal	0,05	72 NBR 902	B2	306488	○

● Available from stock    ○ On request: Tool is available, delivery at short notice    \* → Diagram 2, page 18