

Merkel Combination Seal AU NIPSL

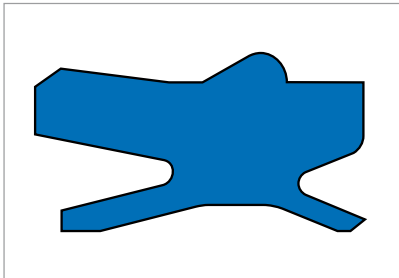


Fig. 1 Merkel Combination Seal AU NIPSL

Product description

Merkel combination wiper seal without metal reinforcement with special pneumatic sealing edge.

Product advantages

- Combination seal with minimal space requirements, which seals inwards and wipes outwards
- The component needs no additional element (circlip) for axial fixing within the housing
- Long service life
- Robust design.

Application

Rod seal e.g. for ISO cylinders.

Material

Material	Code	Hardness
High performance polyurethane	94 AU 925	94 Shore A

Operating conditions

Medium	Prepared, dried and de-oiled compressed air (after greasing for fitting)
Operating pressure p	≤1,2 MPa (12 bar)
Temperature T	-30 ... +90 °C
Running speed v	≤1 m/s

Design notes

Surfaces

Surface roughness	R _{max}	R _p /R _z
Rod	≤4 μm	<0,5
	tp (25% R _{max}) = 50 ... 75%	
Groove base	≤10 μm	<0,5

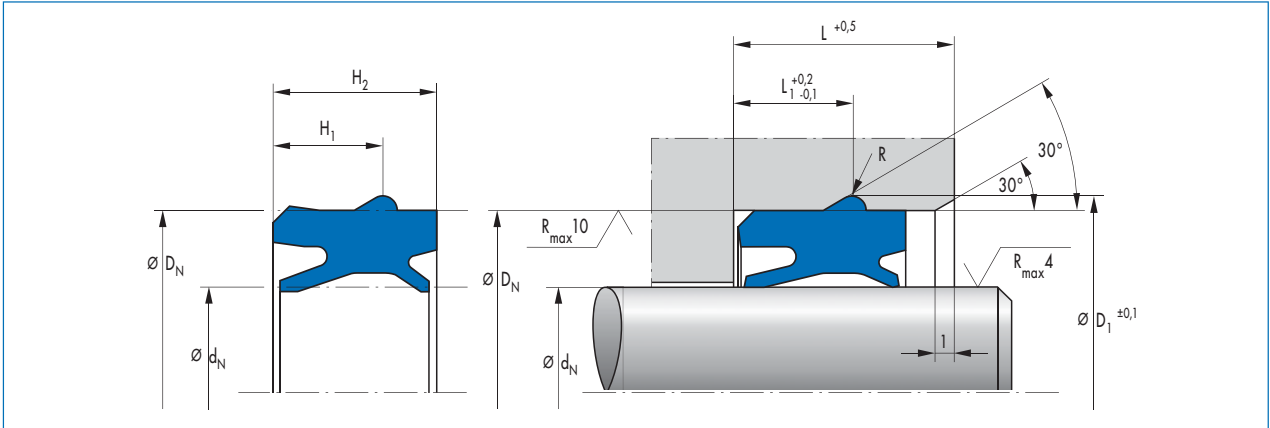
→ Technical Manual.

Fitting & installation

Careful fitting is a prerequisite for the correct function of the seal. → Technical Manual.

The Merkel Combination Seal AU NIPSL is pressed into the housing from outside. The bead on the outside diameter snaps into the circlip groove and fixes the seal in the housing.

Article list



d _N	D _N	H ₁	H ₂	D ₁	L	L ₁	R	Material	Article No.	
12	20	7	10,4	22,2	13	7,7	1,1	94 AU 925	431469	●
12	22	7	10,4	24,2	13	7,7	1,1	94 AU 925	407284	●
14	24	7	10,4	26,2	13	7,7	1,1	94 AU 925	431468	●
16	26	7	10,4	28,2	13	7,7	1,1	94 AU 925	407285	●
18	26	7	10,4	28,2	13	7,7	1,1	94 AU 925	431467	●
18	28	7	10,4	30,2	13	7,7	1,1	94 AU 925	431465	●
20	30	7	10,4	32,2	13	7,7	1,1	94 AU 925	407287	●
22	32	7,3	10,4	34,8	13	8	1,4	94 AU 925	431464	●
25	35	7,3	10,4	37,8	13	8	1,4	94 AU 925	407288	●
30	40	7,3	10,4	42,8	13	8	1,4	94 AU 925	431462	●
32	42	7,3	10,4	44,8	13	8	1,4	94 AU 925	407290	●
40	50	7,3	10,4	52,8	13	8	1,4	94 AU 925	398274	●
50	60	7,7	10,4	63,6	13	8,6	1,8	94 AU 925	398275	●

● Available from stock ○ On request: Tool is available, delivery at short notice