

# Merkel Wiper AUASOB

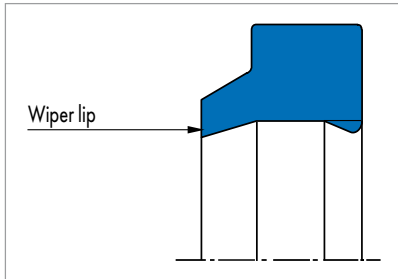


Fig. 1 Merkel Wiper AUASOB

## Product description

Dirt wiper without metal reinforcement, protruding wiper lip and base face support.

## Product advantages

Single-acting wiper for the protection of cylinders against ingress of dirt, use in standardised housings according to ISO 6195 Type A.

## Application

Standard cylinders.

## Material

Material	Code	Hardness
Polyurethane	94 AU 925	94 Shore A

## Operating conditions

Material	94 AU 925
	Temperature range in °C
Hydraulic oils HL, HLP	-30 ... +110
HFA fluids	+5 ... +50
HFB fluids	+5 ... +50
HFC fluids	-30 ... +40
HFD fluids	-
Water	+5 ... +40
HETG (rapeseed oil)	-30 ... +60
HEES (synthetic esters)	-30 ... +80
HEPG (glycol)	-30 ... +50
Mineral greases	-30 ... +110
Running speed v in m/s	2

## Surface quality

Surface roughness	R <sub>a</sub>	R <sub>max</sub>
Sliding surface	*	*
Groove base	≤1,6 µm	≤6,3 µm
Side of groove	≤3,0 µm	≤15,0 µm

\* Surface roughness of the sliding surface to suit the sealing component used.

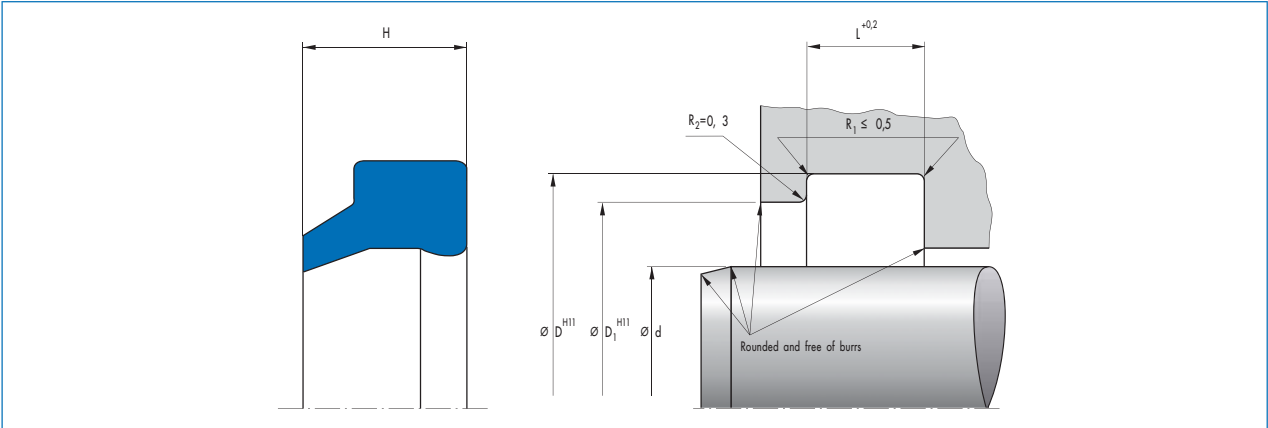
## Design notes

Please observe our general design notes in → Technical Manual.

## Fitting & installation

Careful fitting is a prerequisite for the correct function of the wiper. Merkel Wiper AUASOB can be quickly and easily fitted by deforming into a kidney shape. → Technical Manual.

Article list



d	D	H	L	D <sub>1</sub>	Material	Article No.	
6	14	4,8	7	11,5	94 AU P00925	401478	○
8	16	4,8	7	13,5	94 AU P00925	401479	○
10	18	4,8	7	15,5	94 AU P00925	401486	●
12	20	4,8	7	17,5	94 AU P00925	351679	●
14	22	4,8	7	19,5	94 AU P00925	351680	●
16	24	4,8	7	21,5	94 AU P00925	336668	●
18	26	4,8	7	23,5	94 AU P00925	351681	●
20	28	4,8	7	25,5	94 AU P00925	336667	●
20	28	4,8	7	25,5	94 AU P00925	49039294	●
22	30	4,8	7	27,5	94 AU P00925	336666	●
25	33	4,8	7	30,5	94 AU P00925	336670	●
28	36	4,8	7	33,5	94 AU P00925	351683	●
32	40	4,8	7	37,5	94 AU P00925	336671	●
36	44	4,8	7	41,5	94 AU P00925	395708	●
40	48	4,8	7	45,5	94 AU P00925	336665	●
45	53	4,8	7	50,5	94 AU P00925	336663	●
50	58	4,8	7	55,5	94 AU P00925	336664	●
56	66	6,1	8,3	63	94 AU P00925	351685	○
63	73	6,1	8,3	70	94 AU P00925	336662	●
70	80	6,1	8,3	77	94 AU P00925	351686	●
80	90	6,1	8,3	87	94 AU P00925	336661	●
100	115	9,3	12,3	110	94 AU P00925	336660	●
110	125	9,3	12,3	120	94 AU P00925	351690	●
125	140	9,3	12,3	135	94 AU P00925	336659	●
140	155	9,3	12,3	150	94 AU P00925	351693	○
155	170	9,3	12,3	165	94 AU P00925	49013135	○
160	175	9,3	12,3	170	94 AU P00925	336658	○
180	195	9,3	12,3	190	94 AU P00925	336657	○
200	215	9,3	12,3	210	94 AU P00925	336672	○

● Available from stock ○ On request: Tool is available, delivery at short notice