

# Merkel Wiper AUAS

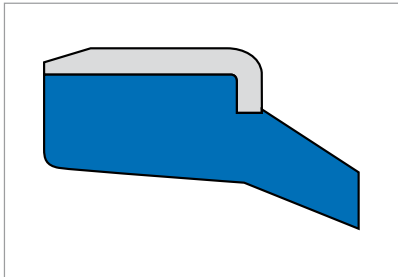


Fig. 1 Merkel Wiper AUAS

## Product description

Dirt wiper with metal housing, wiper lip protruding with sharp, punched sealing edge.

## Product advantages

Single-acting wiper for the protection of cylinders against ingress of dirt, use in standardised housings, amongst others, according to ISO 6195 Type B

- Secure seating in housing (press fitting)
- No open ring gap to the outside (dirt pocket) between rod and wiper housing
- No pressure build-up between wiper and seal
- Axially open, easy to manufacture housing

As a preference, we recommend the use of the more modern type AUAS R. The wiper lip with a radius reliably wipes away dirt and simultaneously leaves a residual film of oil on the retracting rod; friction behaviour, tightness and service life of the whole system are further improved.

## Application

Earth moving equipment, agricultural machinery, loading platforms, support cylinders, industrial vehicles, cranes, presses.

## Material

Material	Code	Hardness	Metal housing
Polyurethane	94 AU 925	94 Shore A	unalloyed steel DIN 1624

## Operating conditions

Material	94 AU 925
Temperature range in °C	
Hydraulic oils HL, HLP	-30 ... +110
HFA fluids	+5 ... +50
HFB fluids	+5 ... +50
HFC fluids	-30 ... +40
HFD fluids	-
Water	+5 ... +40
HETG (rapeseed oil)	-30 ... +60
HEES (synthetic esters)	-30 ... +60
HEPG (glycol)	-30 ... +40
Mineral greases	-30 ... +110
Running speed v in m/s	2

## Surface quality

Surface roughness	R <sub>a</sub>	R <sub>max</sub>
Sliding surface	*	*
Groove base	≤1,6 µm	≤6,3 µm
Side of groove	≤3,0 µm	≤15,0 µm

\* Surface roughness of the sliding surface to suit the sealing component used.

## Design notes

Please observe our general design notes in → Technical Manual.

## Tolerance recommendation

Nominal Ø d	D
10 ... 260	H8

The tolerance for the Ø d is defined by the buffer seal.

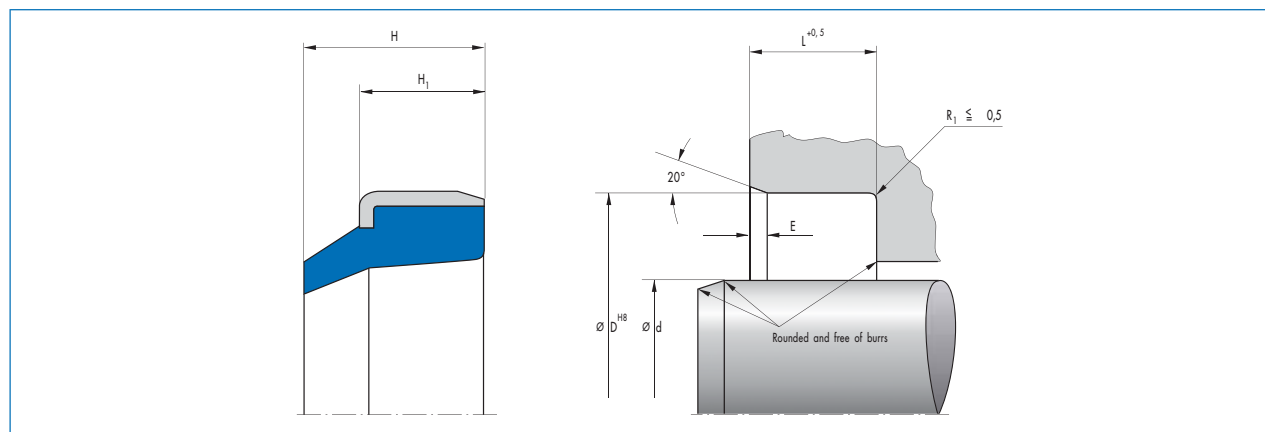
## Lead-in chamfers

Length and angle are to be designed to suit the rod seal used.

## Fitting & installation

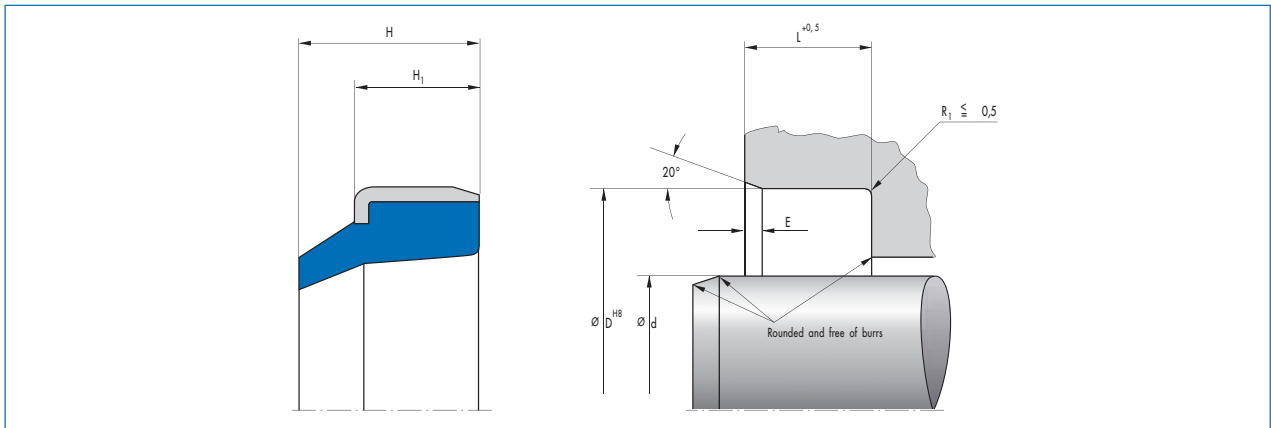
The Merkel Wiper AUAS is pressed into axially open housings. Careful fitting is a prerequisite for the correct function of the wiper. → Technical Manual.

Article list



d	D	H <sub>1</sub> / L	H	C	Housing	Material	Article No.	
10	20	5	8	0,7		94 AU P00925	12659	●
12	20	4	6	0,4		94 AU P00925	24916	●
12	22	5	8	0,7		94 AU P00925	12660	●
14	25	5	8	0,7		94 AU P00925	35853	●
15	25	5	8	0,7		94 AU P00925	12662	●
16	22	3	4	0,3		94 AU P00925	24910	●
16	26	5	8	0,7		94 AU P00925	12664	●
18	28	7	10	1	ISO	94 AU P00925	12666	●
20	28	4	5	0,4		94 AU P00925	12668	●
20	30	4	6	0,4		94 AU P00925	32064	●
20	30	7	10	1	ISO	94 AU P00925	12670	●
22	32	7	10	1	ISO	94 AU P00925	12672	●
25	35	7	10	1	ISO	94 AU P00925	24905	●
28	40	7	10	1		94 AU P00925	12680	●
30	40	5	8	0,7		94 AU P00925	24925	●
30	40	7	10	1		94 AU P00925	32066	●
30	45	5	8	0,7		94 AU P00925	12683	●
32	45	4	8	0,4		94 AU P00925	24904	●
32	45	7	10	1		94 AU P00925	12685	●
35	45	7	10	1		94 AU P00925	24903	●
36	45	7	10	1		94 AU P00925	24935	●
38	48	7	10	1		94 AU P00925	24912	●
40	50	5	8	0,7		94 AU P00925	24908	●
40	50	7	10	1	ISO	94 AU P00925	12691	●
42	52	7	10	1		94 AU P00925	24922	●
45	55	7	10	1	ISO	94 AU P00925	4104	●
45	60	7	10	1		94 AU P00925	24888	●
48	60	7	10	1		94 AU P00925	12697	●
50	56	5	7	0,7		94 AU P00925	24889	●
50	60	7	10	1	ISO	94 AU P00925	24927	●
52	62	7	10	1		94 AU P00925	12699	●
55	63	7	10	1		94 AU P00925	24923	●
60	70	7	10	1		94 AU P00925	12708	●
60	74	5	8	0,7		94 AU P00925	24890	●
63	75	7	10	1		94 AU P00925	15939	●
65	75	7	10	1		94 AU P00925	24902	●

● Available from stock ○ On request: Tool is available, delivery at short notice



d	D	H <sub>1</sub> / L	H	C	Housing	Material	Article No.	
70	80	7	10	1	ISO	94 AU P00925	24901	●
75	83	7	10	1		94 AU P00925	33555	○
75	85	7	10	1		94 AU P00925	24909	●
80	90	7	10	1	ISO	94 AU P00925	24907	●
85	95	7	10	1		94 AU P00925	12718	●
90	100	7	10	1	ISO	94 AU P00925	24893	●
95	105	7	10	1		94 AU P00925	24894	●
100	110	7	10	1		94 AU P00925	24895	●
100	115	8	10	1		94 AU P00925	103750	●
105	115	7	10	1		94 AU P00925	12721	●
110	120	7	10	1		94 AU P00925	103752	●
115	125	7	10	1		94 AU P00925	103753	●
120	130	7	10	1		94 AU P00925	103754	●
125	140	9	12	1	ISO	94 AU P00925	103755	●
130	145	9	12	1		94 AU P00925	103756	●
135	150	9	12	1		94 AU P00925	103757	●
140	155	9	12	1	ISO	94 AU P00925	103758	●
150	165	9	12	1		94 AU P00925	103759	●
160	175	9	12	1	ISO	94 AU P00925	103760	●
180	195	10	14	1		94 AU P00925	103761	●
200	220	12	16	1		94 AU P00925	103763	●

● Available from stock ○ On request: Tool is available, delivery at short notice