

Merkel Wiper AS

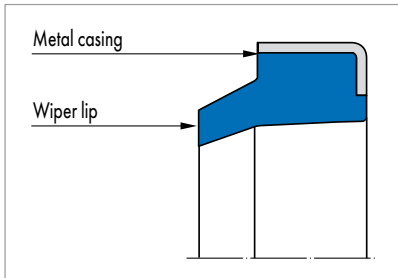


Fig. 1 Merkel Wiper AS

Product description

Dirt wiper with metal housing; wiper lip protruding.

Product advantages

Single-acting wiper for the protection of cylinders against ingress of dirt, use in standardised housings, amongst others, according to ISO 6195 Type B.

Application

Standard cylinders.

Material

Material	Hardness	Metal housing
Nitrile rubber NBR	88 Shore A	unalloyed steel

Operating conditions

Material	88 NBR
	Temperature range in °C
Hydraulic oils HL, HLP	-30 ... +100
HFA fluids	+5 ... +60
HFB fluids	+5 ... +60
HFC fluids	-30 ... +60
HFD fluids	-
Water	+5 ... +90
HETG (rapeseed oil)	-30 ... +80
HEES (synthetic esters)	-
HEPG (glycol)	-30 ... +60
Mineral greases	-30 ... +100
Running speed v in m/s	2

Surface quality

Surface roughness	R _a	R _{max}
Sliding surface	*	*
Groove base	≤1,6 µm	≤6,3 µm
Side of groove	≤3,0 µm	≤15,0 µm

* Surface roughness of the sliding surface to suit the sealing component used.

Design notes

Please observe our general design notes in → Technical Manual.

Tolerance recommendation

Nominal Ø d	D _N
6 ... 400	H8

The tolerance for the Ø d_N is defined by the buffer seal.

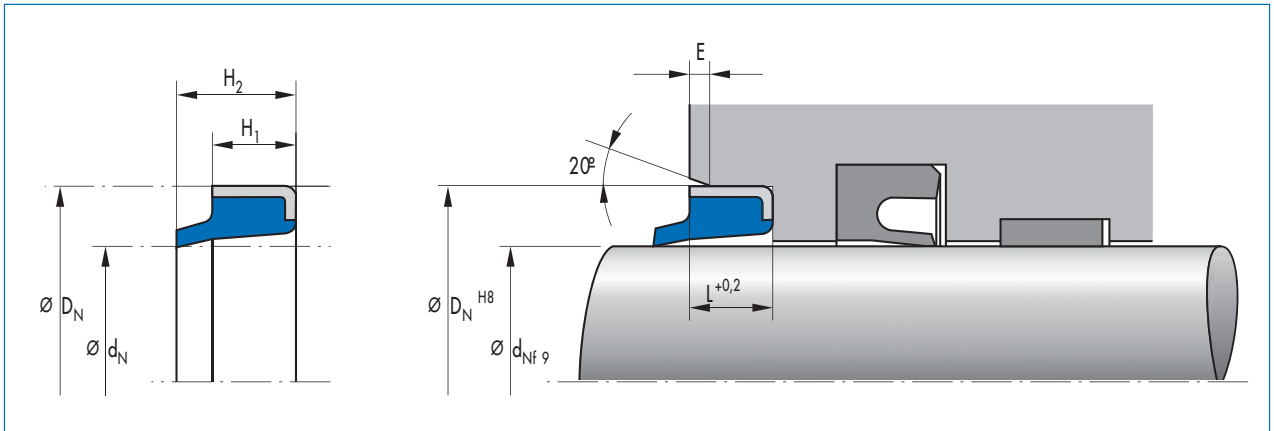
Lead-in chamfers

Length and angle are to be designed to suit the rod seal used.

Fitting & installation

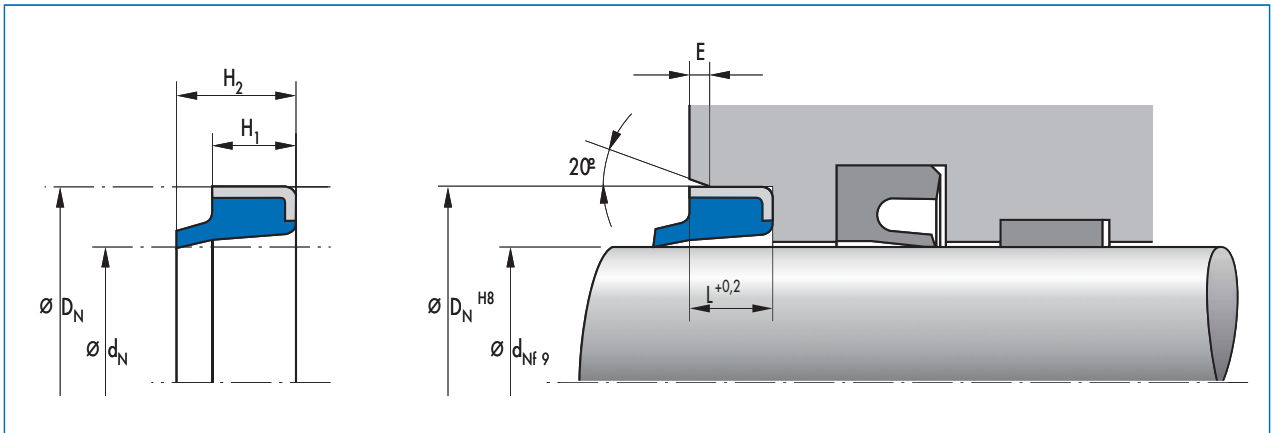
Careful fitting is a prerequisite for the correct function of the Merkel Wiper AS. Generally, wipers can be quickly and easily fitted by deforming into a kidney shape. → Technical Manual.

Article list



d	D	H ₁ / L	H	C	Housing	Material	Article No.	
6	13	3	4,5	0,3		88 NBR M00101	24801	●
8	22	3	4,5	0,3		88 NBR M00101	24802	●
10	16	3	4,5	0,3		88 NBR M99035	454478	●
10	20	5	8	0,7		88 NBR M00101	12654	●
12	18	3,5	5	0,4		88 NBR M99035	457403	●
12	20	4	6	0,4		88 NBR M99035	454486	●
12	22	5	8	0,7		88 NBR M00101	12655	●
14	22	3	4	0,3		88 NBR M00101	36550	●
15	25	5	8	0,7		88 NBR M00101	24805	●
16	22	3	4	0,3		88 NBR M99035	454489	●
16	22	3	4	0,3		88 NBR M99035	49006192	●
16	26	5	8	0,7		88 NBR M99035	454490	●
18	28	5	7	0,7		88 NBR M99035	454491	●
18	28	7	10	1	ISO	88 NBR M00101	12665	●
20	26	4	7	0,4		88 NBR M00101	101411	●
20	28	3,5	5	0,4		88 NBR M99035	454492	●
20	30	4	6	0,4		88 NBR M99035	454493	●
20	30	7	10	1	ISO	88 NBR M99035	454498	●
21	28	3,5	5,5	0,4		88 NBR M00101	24825	●
22	28	5	8	0,7		88 NBR M99035	454499	●
22	32	7	10	1	ISO	88 NBR M99035	454500	●
22	35	5	8	0,7		88 NBR M99035	454520	●
24	35	5	8	0,7		88 NBR M00101	24832	●
25	35	7	10	1	ISO	88 NBR M99035	454521	●
26	34	5	8	0,7		88 NBR M00101	24849	●
26	35	7	10	1		88 NBR M00101	37555	○
28	38	5	8	0,7		88 NBR M99035	454522	●
28	40	7	10	1		88 NBR M00101	33763	●
30	40	5	8	0,7		88 NBR M99035	454525	●
30	40	7	10	1		88 NBR M99035	454526	●
30	45	5	8	0,7		88 NBR M00101	24865	●
32	45	4	8	0,4		88 NBR M00101	24847	●
32	45	7	10	1		88 NBR M00101	12684	●
35	45	7	10	1		88 NBR M99035	454527	●
36	45	7	10	1		88 NBR M99035	454528	●

● Available from stock ○ On request: Tool is available, delivery at short notice



d	D	H ₁ / L	H	C	Housing	Material	Article No.	
38	48	7	10	1		88 NBR M99035	464059	●
40	50	5	8	0,7		88 NBR M99035	454529	●
40	50	7	10	1	ISO	88 NBR M99035	454530	●
40	52	5	8	0,7		88 NBR M00101	38927	●
42	52	7	10	1		88 NBR M00101	24874	●
45	53,5	5	8	0,7		88 NBR M99035	454532	○
45	55	7	10	1	ISO	88 NBR M99035	454557	●
45	60	7	10	1		88 NBR M99035	454560	●
48	60	7	10	1		88 NBR M00101	12696	●
50	56	5	7	0,7		88 NBR M99035	454564	●
50	60	7	10	1	ISO	88 NBR M99035	454565	●
50	65	7	10	1		88 NBR M99035	454566	●
50	70	7	10	1		88 NBR M00101	39497	●
52	62	7	10	1		88 NBR M00101	12700	●
55	63	7	10	1		88 NBR M99035	454567	●
55	65	7	10	1		88 NBR M99035	454573	●
56	66	7	10	1	ISO	88 NBR M00101	6259	●
60	70	7	10	1		88 NBR M99035	454574	●
60	74	5	8	0,7		88 NBR M00101	24811	●
60	78	11	15	1		88 NBR M00101	24828	●
60	80	7	10	1		88 NBR M00101	45	●
63	75	7	10	1		88 NBR M00101	36267	●
65	75	7	10	1		88 NBR M99035	454620	●
70	80	7	10	1	ISO	88 NBR M99035	454575	●
75	83	7	10	1		88 NBR M00101	12713	○
75	85	7	10	1		88 NBR M99035	454576	●
80	90	7	10	1	ISO	88 NBR M99035	454577	●
80	100	12	15	1		88 NBR M00101	24845	●
85	95	7	10	1		88 NBR M00101	24813	●
90	100	7	10	1	ISO	88 NBR M99035	454578	●
95	105	7	10	1		88 NBR M99035	454579	●
100	110	7	10	1		88 NBR M99035	454580	●
105	115	7	10	1		88 NBR M00101	24816	●
110	120	7	10	1		88 NBR M99035	454582	●
115	125	7	10	1		88 NBR M00101	24817	●
120	130	7	10	1		90 NBR M00109	24819	●
125	140	9	12	1	ISO	88 NBR M00101	24831	●

● Available from stock ○ On request: Tool is available, delivery at short notice

d	D	H ₁ /L	H	C	Housing	Material	Article No.	
130	145	9	12	1		88 NBR M00101	24872	●
135	145	7	10	1		88 NBR M00101	15034	●
140	155	9	12	1	ISO	88 NBR M00101	24855	●
145	160	9	12	1		88 NBR M00101	26971	●
150	165	9	12	1		88 NBR M00101	24862	●
160	175	9	12	1	ISO	88 NBR M00101	24876	●
170	185	10	14	1		88 NBR M00101	24822	●
180	195	10	14	1		88 NBR M00101	24823	●
190	202	9	12	1		88 NBR M00101	12741	○
190	220	9	12	1		88 NBR M00101	12742	○
200	220	12	16	1		88 NBR M00101	36009	●
210	230	12	16	1		88 NBR M00101	5312	○
220	240	12	16	1	ISO	88 NBR M00101	19574	●
240	260	12	16	1		88 NBR M00101	26972	●
260	290	12	16	1		88 NBR M00101	26975	○
270	295	12	16	1		88 NBR M00101	12745	○
320	340	12	16	1	ISO	88 NBR M00101	12747	○
400	420	12	16	1		88 NBR M00101	26976	○

● Available from stock ○ On request: Tool is available, delivery at short notice