

# Merkel Damper Seal AU DIP

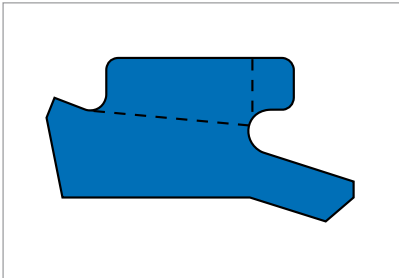


Fig. 1 Merkel Damper Seal AU DIP

## Product description

Merkel Damper Seal AU DIP with spacer lug and flow passages. Integrated non-return valve function due to axial seal, spacer lugs and flow passages.

## Product advantages

- Constant, reliable damping function due to automatic centring.

## Application

Damping element e.g. for ISO cylinders.

## Material

Material	Code	Hardness
High performance polyurethane	90 AU 924 all $\varnothing \leq 10$	90 Shore A
	94 AU 925 $\varnothing > 10$	94 Shore A

## Operating conditions

Medium	Prepared, dried and de-oiled compressed air (after greasing for fitting)
Operating pressure p	$\leq 2,5$ MPa (25 bar)
Temperature T	-30 ... +90 °C
Running speed v	$\leq 1$ m/s

## Design notes

### Surfaces

Surface roughness	$R_{max}$	$R_p/R_z$
Rod	$\leq 4 \mu m$	$< 0,5$
	tp (25% $R_{max}$ ) = 50 ... 75%	
Groove base	$\leq 10 \mu m$	

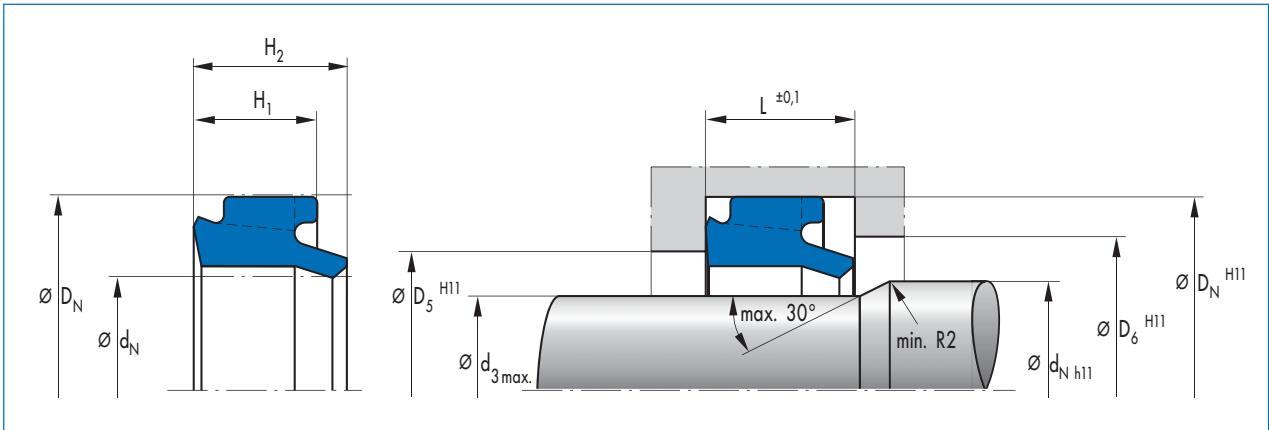
→ Technical Manual.

## Fitting & installation

Careful fitting is a prerequisite for the correct function of the seal. → Technical Manual.

Merkel damper seals can be snapped by hand into the housing grooves provided.

Article list



d <sub>N</sub>	D <sub>N</sub>	D <sub>5</sub>	D <sub>6</sub>	d <sub>3 max.</sub>	H <sub>1</sub>	H <sub>2</sub>	L	Material	Article No.	
8	11,6	8,5	10	4	2,7	3,5	3,3	90 AU 924	467110	●
9,5	15	10	12	5,5	3,9	5	4,5	90 AU 924	434735	●
10	18	11	15	6	6,2	8	7	90 AU 924	425536	●
12	18	13	15,5	8	4,2	5,2	4,8	94 AU 925	425483	●
12	20	13	17	8	6,2	8	7	94 AU 925	425497	○
14	22	15	19	10	6,2	8	7	94 AU 925	425538	●
16	22	17	19,5	12	4,4	5,6	5,2	94 AU 925	425499	●
16	24	17	21	12	6,2	8	7	94 AU 925	425498	●
18	26	19	23	14	6,2	8	7	94 AU 925	425509	●
20	28	21	24	21	6,2	8	7	94 AU 925	464942	●
22	30	23	26	18	6,2	8	7	94 AU 925	425511	●
24	32	25	28	20	6,2	8	7	94 AU 925	425513	●
25	33	26	29	21	6,2	8	7	94 AU 925	425514	●
28	36	29	32	24	6,2	8	7	94 AU 925	425515	●
30	40	31,5	35	26	6,2	8	7	94 AU 925	425520	●
36	46	37,5	41	32	6,2	8	7	94 AU 925	432656	●
40	50	41,5	45	36	6,2	8	7	94 AU 925	425521	●
50	60	51,5	55	46	6,2	8	7	94 AU 925	425523	●

● Available from stock ○ On request: Tool is available, delivery at short notice