

# Merkel Combination Seal NIPSL

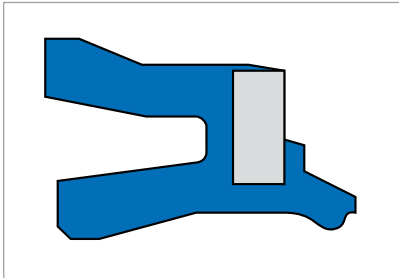


Fig. 1 Merkel Combination Seal NIPSL

## Product description

Combination wiper seal with metal reinforcement and special pneumatic sealing edge.

## Product advantages

- Combination seal with minimal space requirements, which seals inwards and wipes outwards.
- The component can be replaced from the outside (without dismantling the equipment)
- Broad supply range.

## Application

Rod seal for pneumatic cylinders.

## Material

Material	Code	Hardness	Base plate
Acrylonitrile-butadiene rubber	72 NBR 708	72 Shore A	mild steel according to DIN 1624

FKM on enquiry.

## Operating conditions

Medium	Prepared, dried and de-oiled compressed air (after greasing for fitting)
Operating pressure p	≤1,2 MPa (12 bar)
Temperature T	-20 ... +100 °C
Running speed v	≤1 m/s

## Design notes

### Surfaces

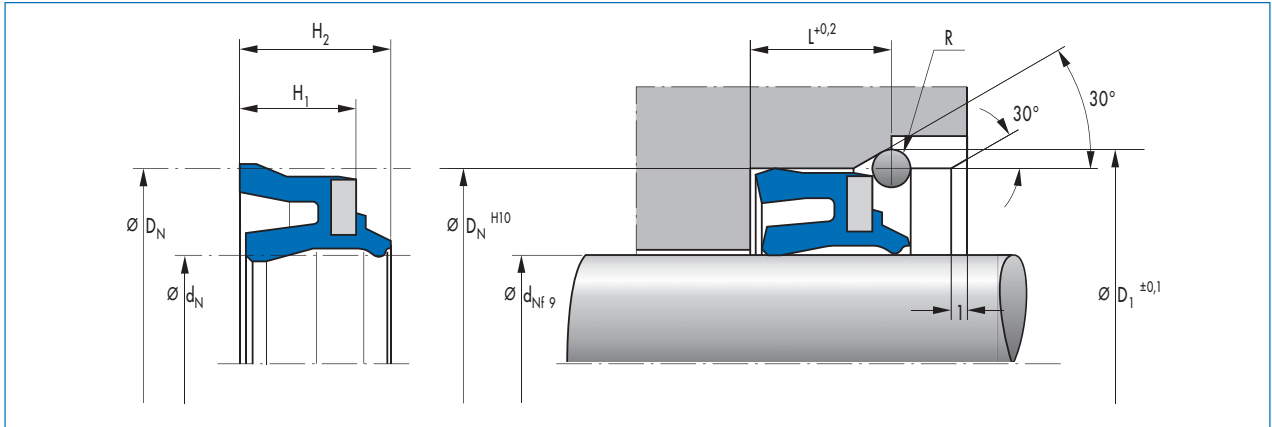
Surface roughness	$R_{max}$	$R_p/R_z$
Rod	≤4 μm tp (25% $R_{max}$ ) = 50 ... 75%	<0,5
Groove base	≤10 μm	<0,5

→ Technical Manual.

## Fitting & installation

Careful fitting is a prerequisite for the correct function of the seal. → Technical Manual. The Merkel Combination Seal NIPSL is pressed into the housing from outside. The back is supported by a circlip (DIN 7993). To remove the seal, it is advisable to provide an axial cut-out in the ring groove that allows the circlip to be easily removed.

Article list



$d_N$	$D_N$	$H_1$	$H_2$	$D_1$	$L$	$R$	Material	Article No.	
8	16	7	9,5	18	8,5	1,1	72 NBR 708	419272	●
10	20	7	9,5	22	8,5	1,1	72 NBR 708	419273	●
12	20	6	8,5	22	7,5	1,1	72 NBR 708	419274	●
12	22	7	9,5	24	8,5	1,1	72 NBR 708	104779	●
14	24	7	9,5	26	8,5	1,1	72 NBR 708	419275	●
16	26	7	9,5	28	8,5	1,1	72 NBR 708	104780	●
18	26	6	8,5	28	7,5	1,1	72 NBR 708	390006	●
18	28	7	9,5	30	8,5	1,1	72 NBR 708	121453	●
20	30	7	9,5	32	8,5	1,1	72 NBR 708	104781	●
22	32	7	9,5	34,5	8,8	1,4	72 NBR 708	404837	●
25	35	7	9,5	37,5	8,8	1,4	72 NBR 708	104782	●
30	40	7	9,5	42,5	8,8	1,4	72 NBR 708	361502	●
32	42	7	9,5	44,5	8,8	1,4	72 NBR 708	419276	●
40	50	7	9,5	52,5	8,8	1,4	72 NBR 708	419277	●
50	60	6,5	9	62,5	8,3	1,4	72 NBR 708	433162	●

● Available from stock ○ On request: Tool is available, delivery at short notice